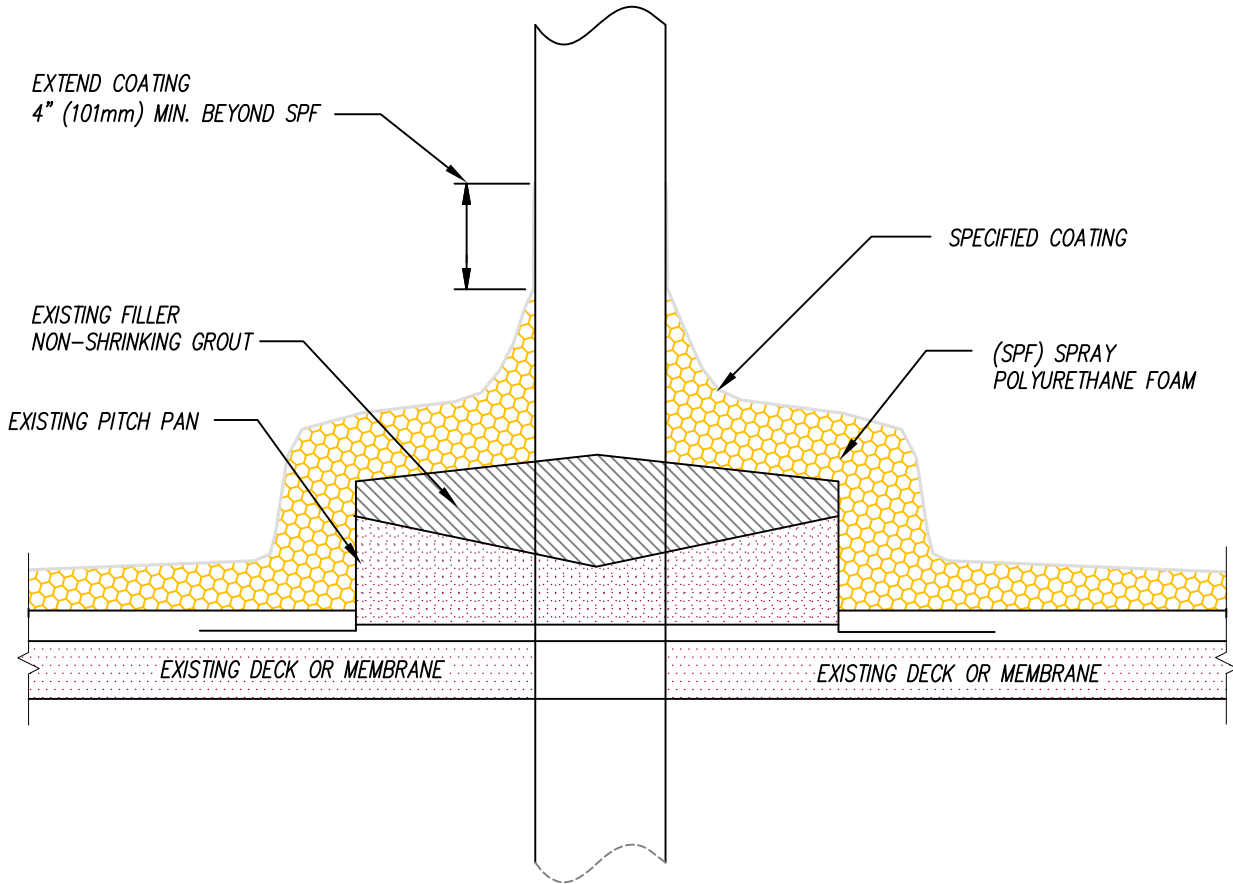


# A 600 Polyurethane Spray Foam Fluid Coating Detail

- A6.1 Pitch Pan Detail
- A6.2 Anchor Pan Detail
- A6.3 Class B Vent Detail
- A6.4 Class B Vent W/Hood Detail
- A6.5 Vent Stack Detail
- A6.6 Roof Drain Detail
- A6.7 Roof Drain Detail
- A6.8 Roof Gutter Detail
- A6.9 Foam-Stop Fascia / Drip Edge Detail
- A6.10 Drainage Scupper Detail
- A6.11 Overflow Scupper Detail
- A6.12 Existing Fascia New Foam -Stop Detail
- A6.13 New 2-pc. Fascia Foam-Stop Detail
- A6.14 Reglet & 2 Pc. Counterflashing New Foam-Stop Detail
- A6.15 Cut Reglet New Foam- Stop Detail
- A6.16 Surface Mount Counterflashing Detail
- A6.17 Window Counterflashing New Foam-Stop Detail
- A6.18 Parapet Cap Counterflashing New Foam-Stop Detail
- A6.19 Coping Detail
- A6.20 Expansion Joint Detail
- A6.21 Wall Expansion Joint Detail
- A6.22 Area Divider Detail
- A6.23 Roof Curb w/Foam-Stop Detail
- A6.24 SPF To Shingle Tie In Detail
- A6.25 Universal Corner Foam-Stop Detail

**Click for DFD Master  
Specifications**

[http://www.doa.state.wi.us/dsf/masterspec\\_view\\_new.asp?catid=37&locid=4](http://www.doa.state.wi.us/dsf/masterspec_view_new.asp?catid=37&locid=4)



1  
 A6.1

PITCH PAN DETAIL

NO SCALE:



State of Wisconsin  
 Department of Administration  
 Division of Facilities Development

DFD STANDARD POLYURETHANE SPRAY FOAM  
 FLUID COATING DETAILS

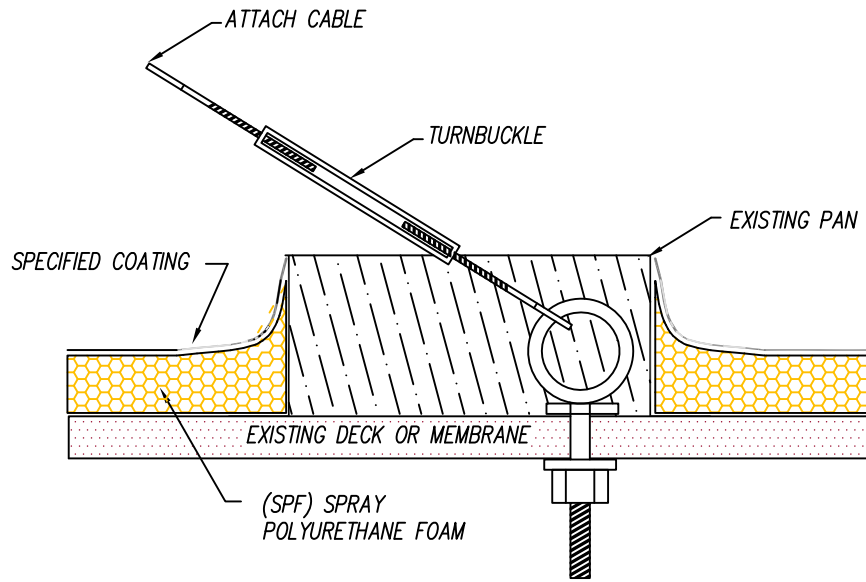
Scale	NO
DFD Number	
Set Type	RD.
Date Issued	
Sheet Number	<b>A6.1</b>

Agency / Institution:

Sheet Title:

PITCH PAN DETAIL

10/01/2012



1 ANCHOR PITCH PAN DETAIL  
 A6.2 NO SCALE:



State of Wisconsin  
 Department of Administration  
 Division of Facilities Development

DFD STANDARD POLYURETHANE SPRAY FOAM  
 FLUID COATING DETAILS

Scale	NO
DFD Number	
Set Type	RD.
Date Issued	
Sheet Number	<b>A6.2</b>

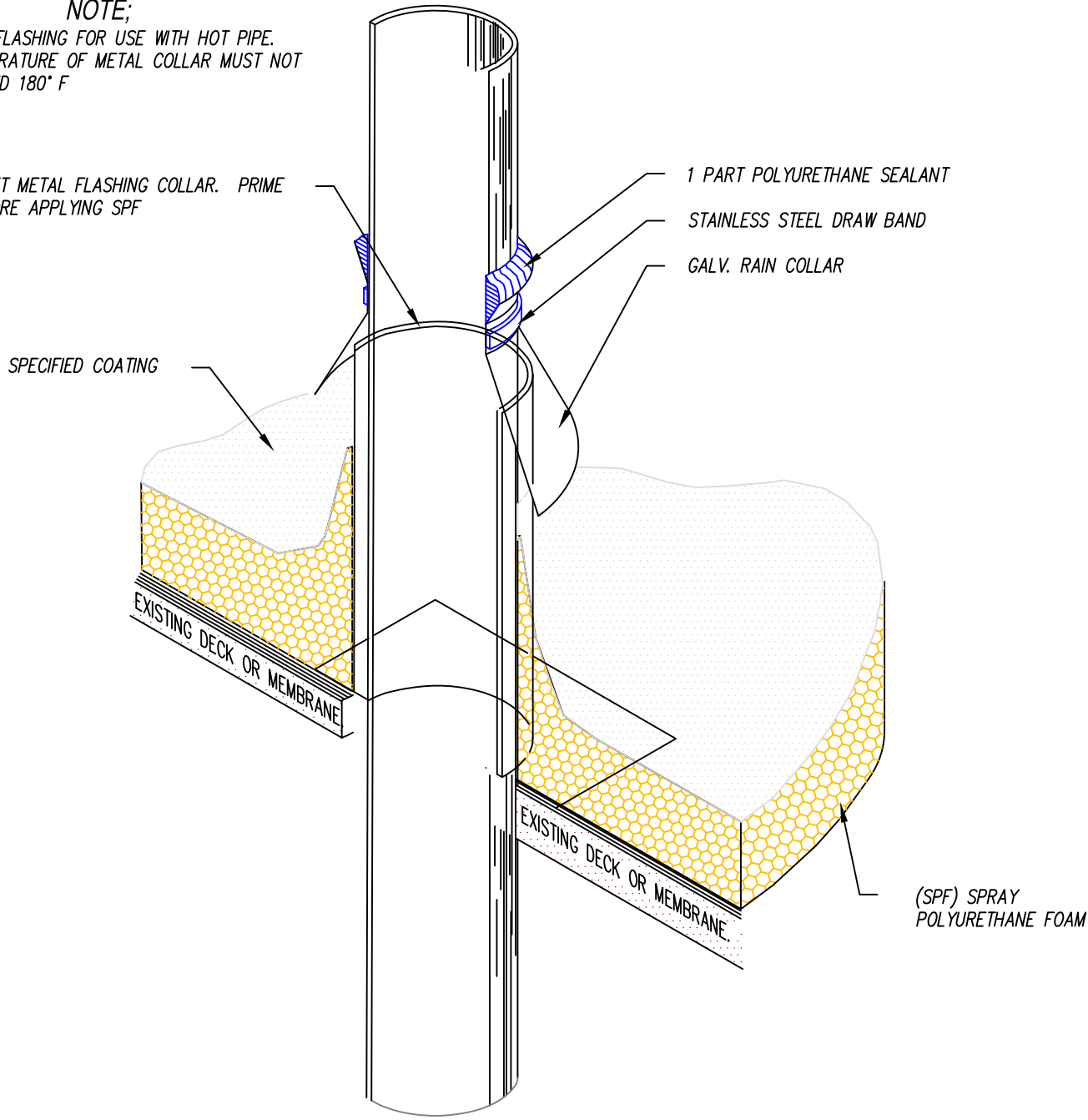
Agency / Institution:

Sheet Title:


ANCHOR PITCH PAN DETAIL

10/01/2012

**NOTE;**  
 PIPE FLASHING FOR USE WITH HOT PIPE.  
 TEMPERATURE OF METAL COLLAR MUST NOT  
 EXCEED 180° F



1  
 A6.3 CLASS B VENT PIPE DETAIL  
 NO SCALE:



**State of Wisconsin**  
 Department of Administration  
 Division of Facilities Development

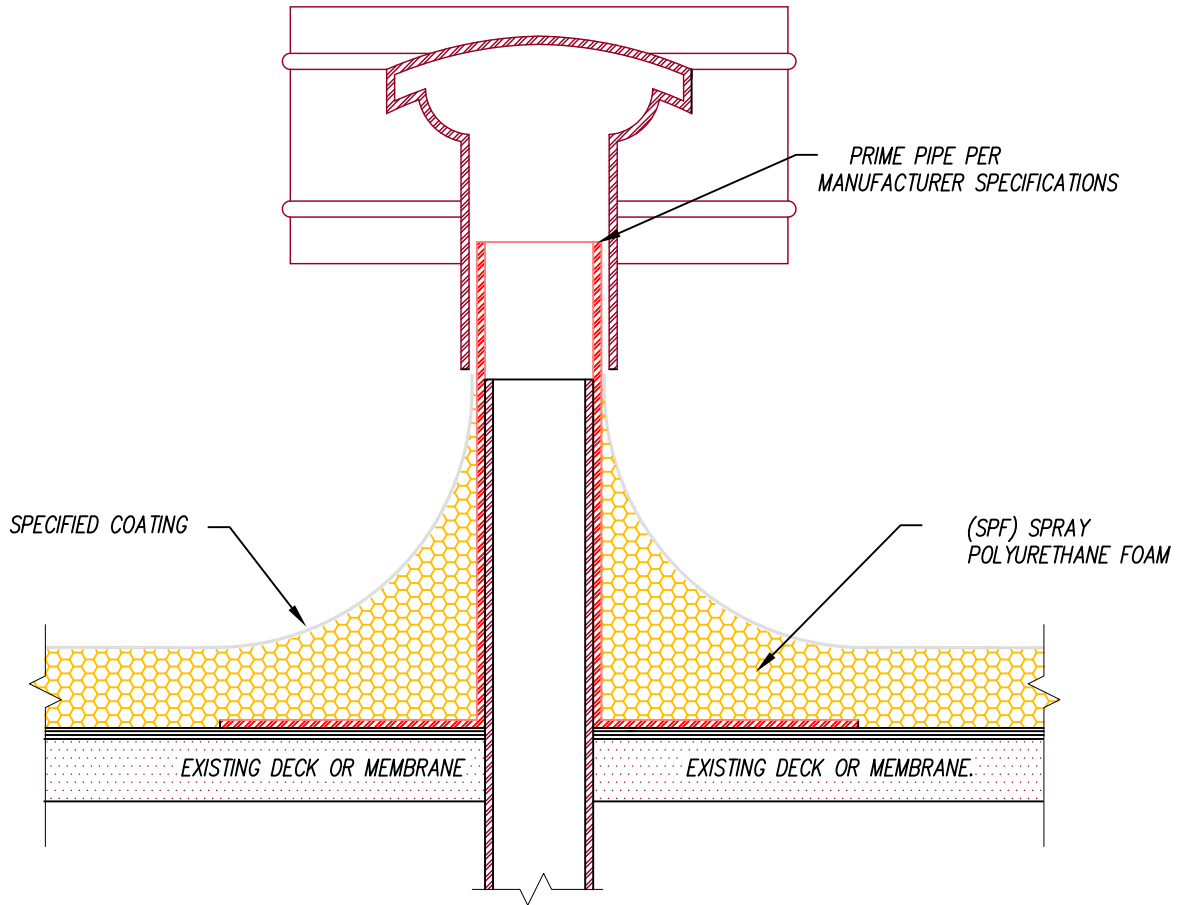
Agency / Institution:

**DFD STANDARD POLYURETHANE SPRAY FOAM**  
**FLUID COATING DETAILS**

Sheet Title:  
 CLASS B VENT PIPE DETAIL

10/01/2012

Scale	NO
DFD Number	
Set Type	RD.
Date Issued	
Sheet Number	<b>A6.3</b>



1  
 A6.4
 

**CLASS B VENT PIPE DETAIL**  
 NO SCALE:



**State of Wisconsin**  
**Department of Administration**  
**Division of Facilities Development**

**DFD STANDARD POLYURETHANE SPRAY FOAM**  
**FLUID COATING DETAILS**

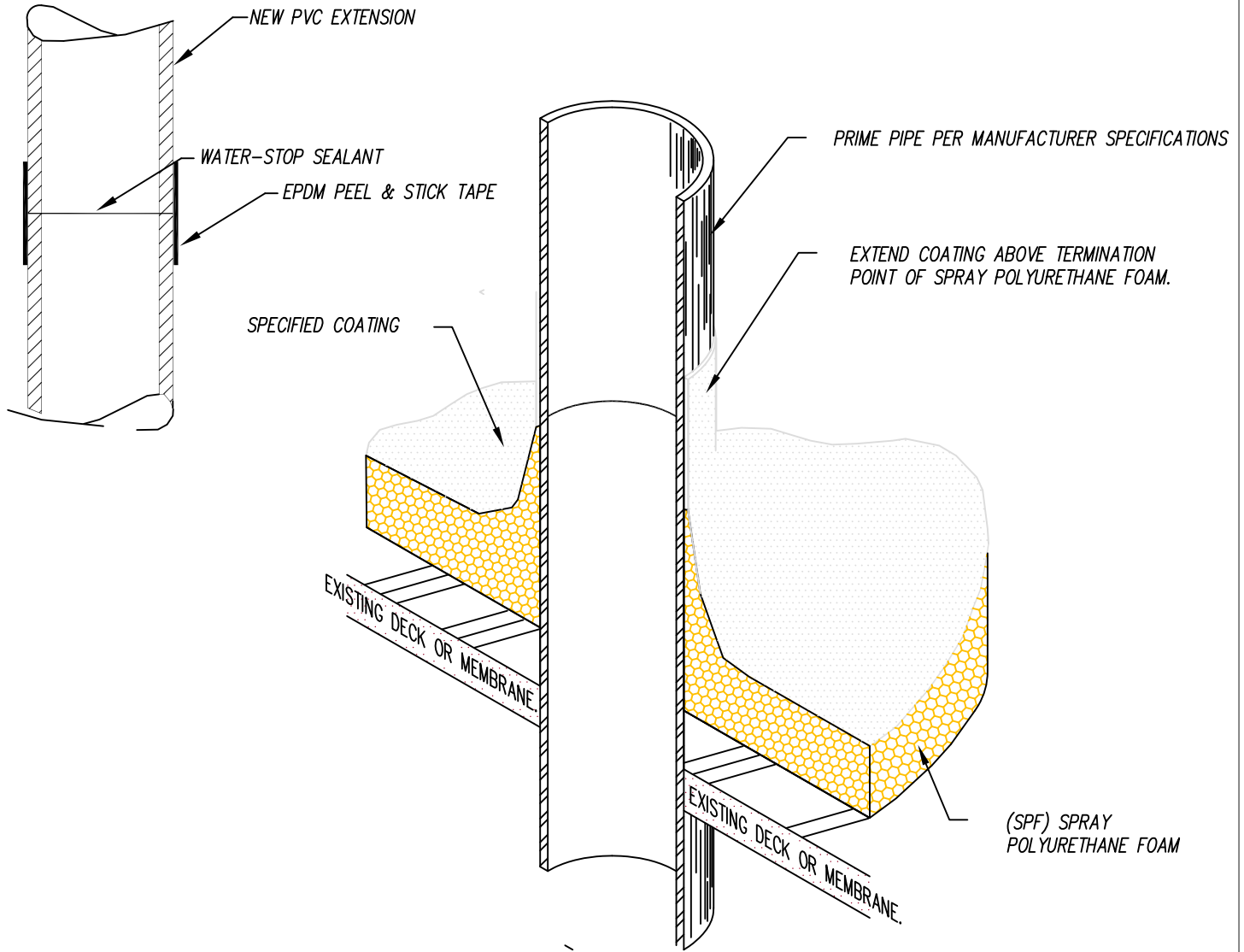
Scale	NO
DFD Number	
Set Type	RD.
Date Issued	
Sheet Number	<b>A6.4</b>

Agency / Institution:

Sheet Title:

CLASS B VENT PIPE DETAIL

10/01/2012



1  
A6.5

**VENT STACK DETAIL**  
NO SCALE:



State of Wisconsin  
Department of Administration  
Division of Facilities Development

**DFD STANDARD POLYURETHANE SPRAY FOAM  
FLUID COATING DETAILS**

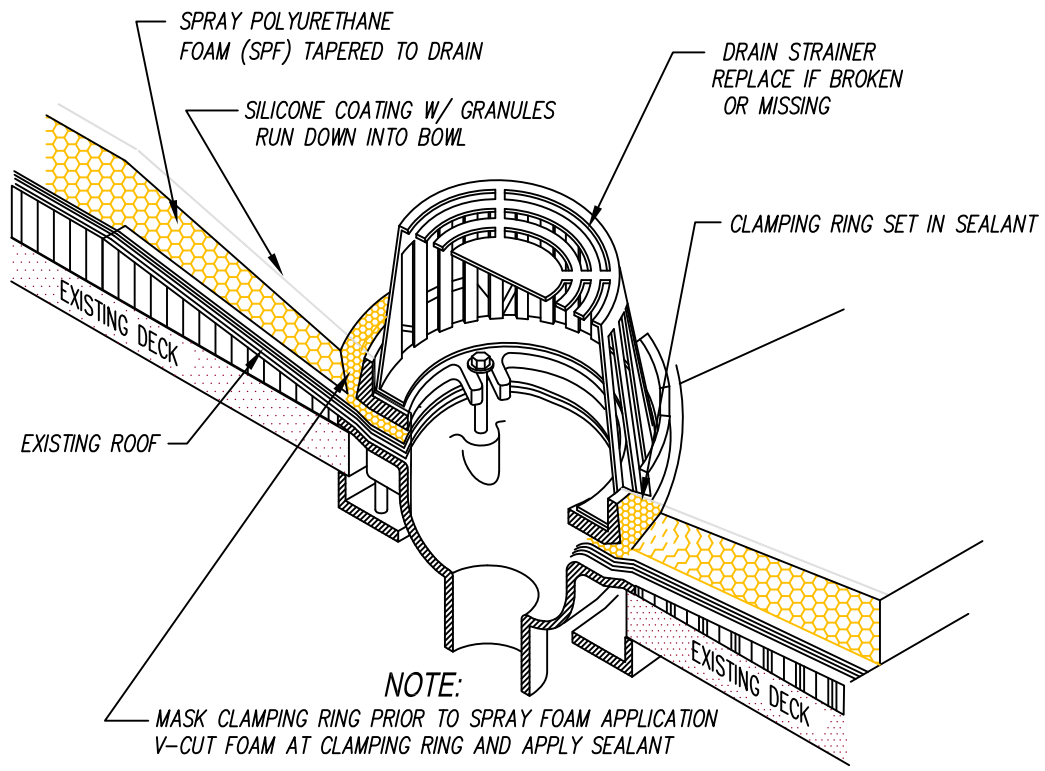
Scale	NO
DFD Number	
Set Type	RD.
Date Issued	
Sheet Number	<b>A6.5</b>

Agency / Institution:

Sheet Title:


VENT STACK DETAIL

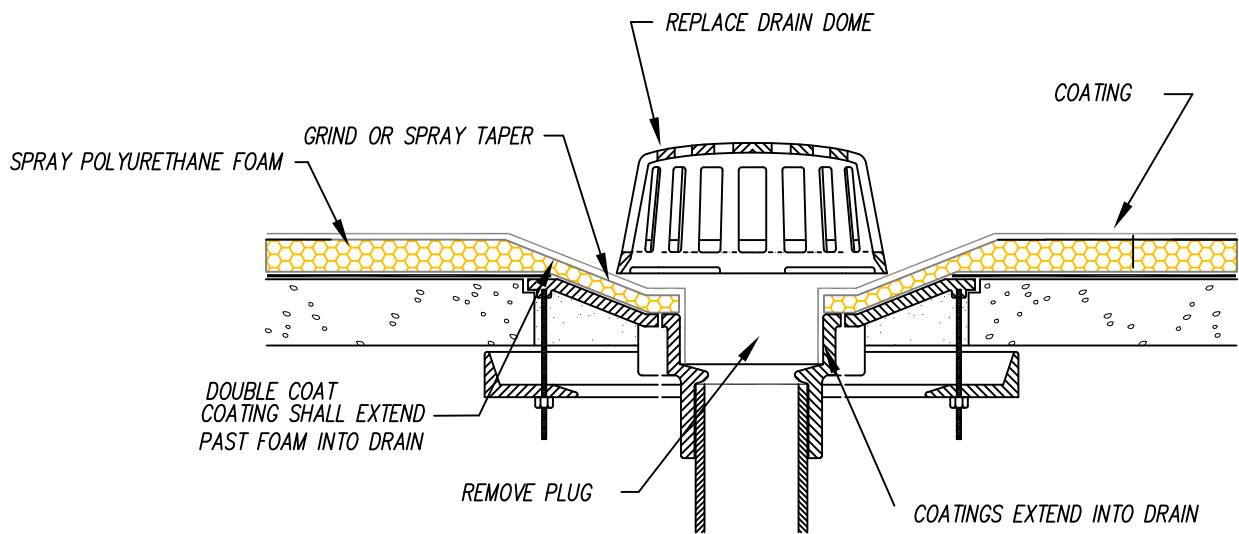
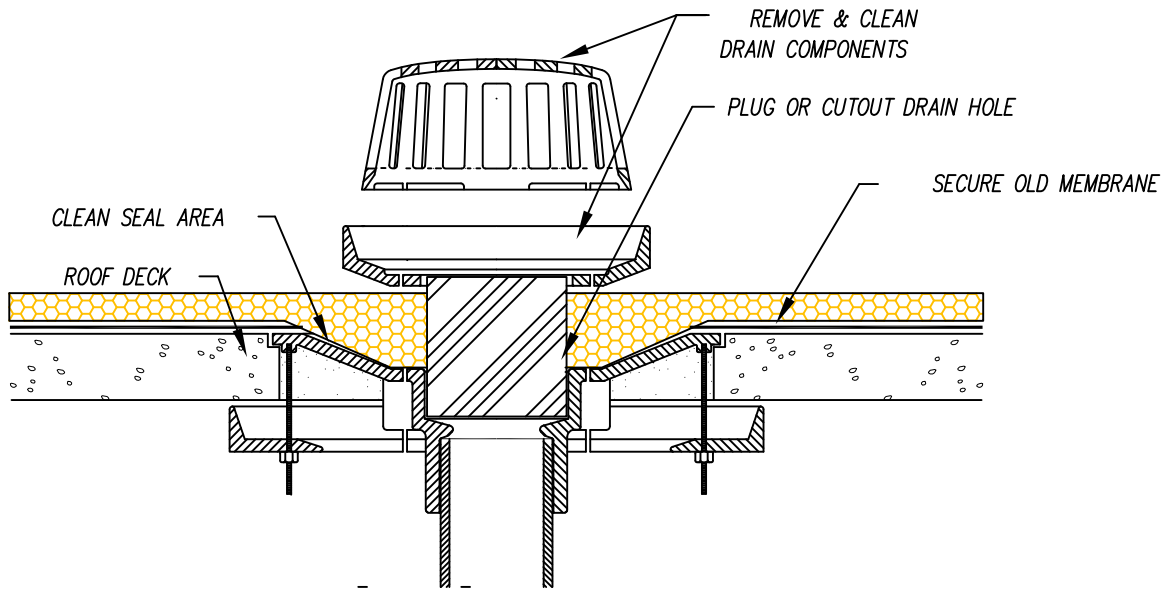
10/01/2012



1  
A6.6

**ROOF DRAIN DETAIL**  
 NO SCALE:

	<b>State of Wisconsin</b> <b>Department of Administration</b> <b>Division of Facilities Development</b>	<b>DFD STANDARD POLYURETHANE SPRAY FOAM</b> <b>FLUID COATING DETAILS</b>	Scale	NO
	Agency / Institution:	Sheet Title:	DFD Number	RD.
		ROOF DRAIN DETAIL	10/01/2012	Date Issued
			Sheet Number	<b>A6.6</b>



1  
A6.7

**ROOF DRAIN DETAIL**  
 NO SCALE:



**State of Wisconsin**  
**Department of Administration**  
**Division of Facilities Development**

Agency / Institution:

**DFD STANDARD POLYURETHANE SPRAY FOAM**  
**FLUID COATING DETAILS**

Sheet Title:

ROOF DRAIN DETAIL

Scale NO

DFD Number  
 Set Type RD.  
 Date Issued

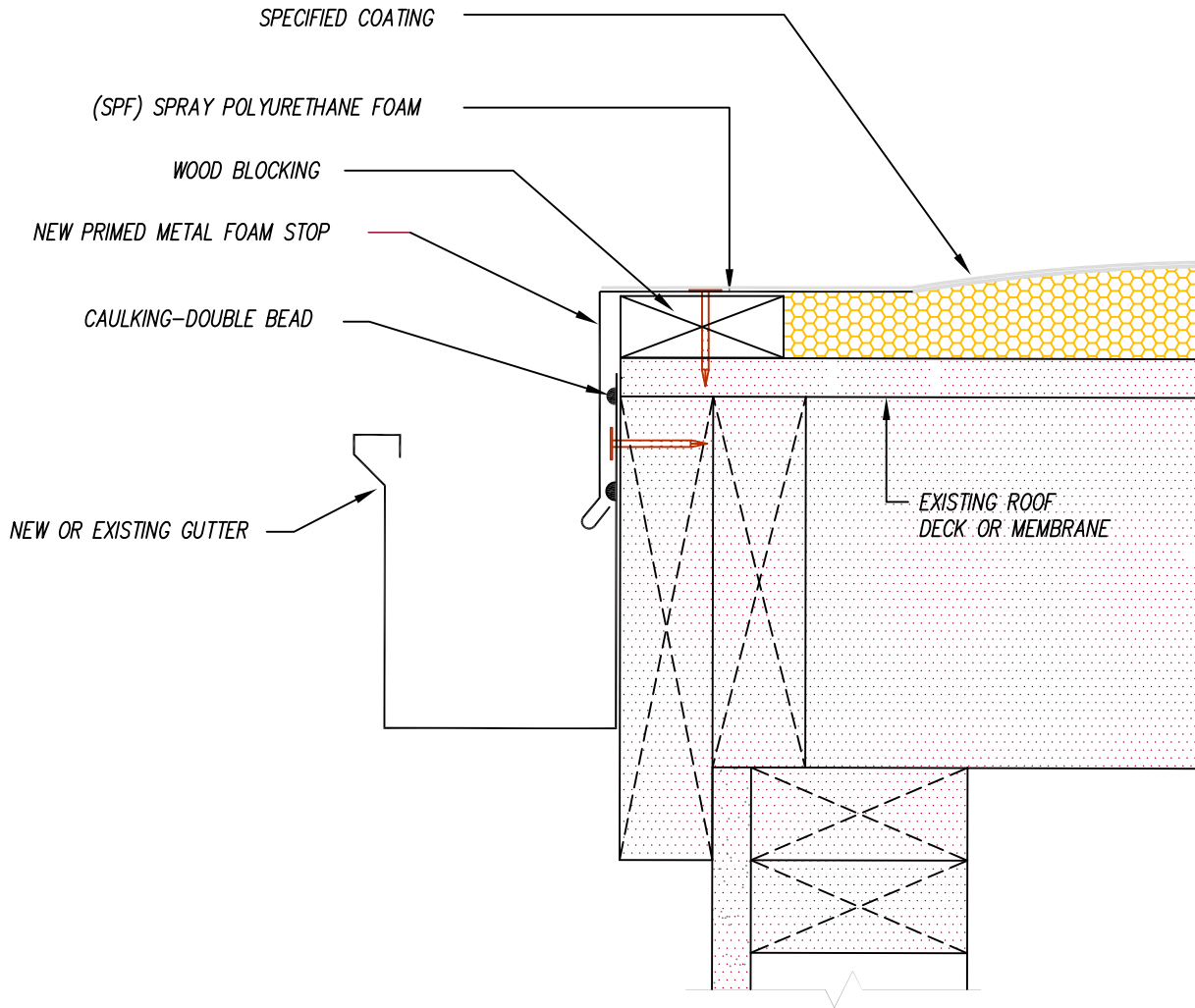
10/01/2012

Sheet Number

**A6.7**

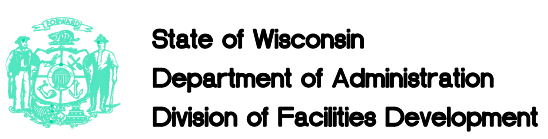


**NOTE:**  
 CONTRACTOR TO INSTALL METAL FOAM-STOP  
 PRIOR TO SPRAY FOAM APPLICATION



1  
 A6.8

**ROOF GUTTER DETAIL**  
 NO SCALE:



**DFD STANDARD POLYURETHANE SPRAY FOAM  
 FLUID COATING DETAILS**

Scale	NO
DFD Number	
Set Type	RD.
Date Issued	
Sheet Number	<b>A6.8</b>

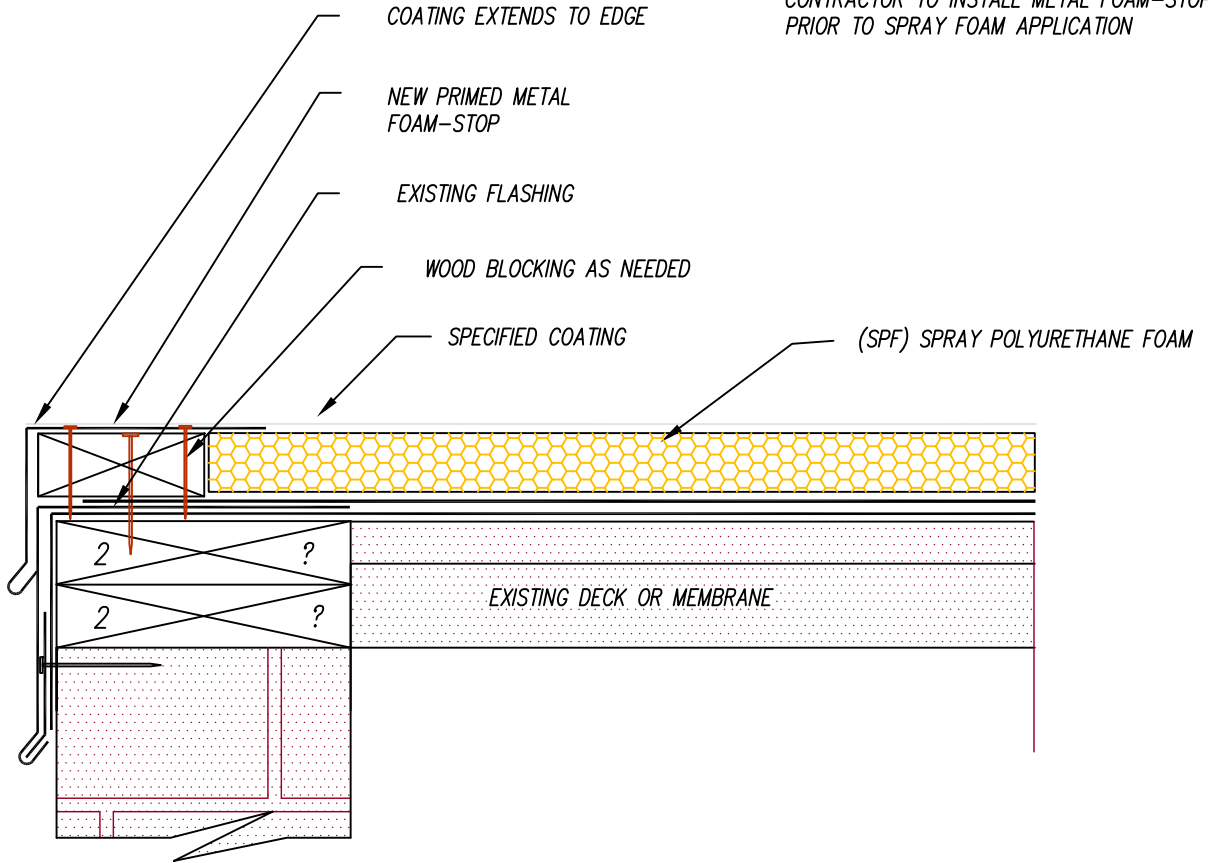
Agency / Institution:

Sheet Title:

ROOF GUTTER DETAIL 10/01/2012

**NOTE:**

CONTRACTOR TO INSTALL METAL FOAM-STOP  
PRIOR TO SPRAY FOAM APPLICATION



1  
A6.9

**NEW FOAM-STOP FASCIA DRIP EDGE DETAIL**

NO SCALE:



**State of Wisconsin**  
**Department of Administration**  
**Division of Facilities Development**

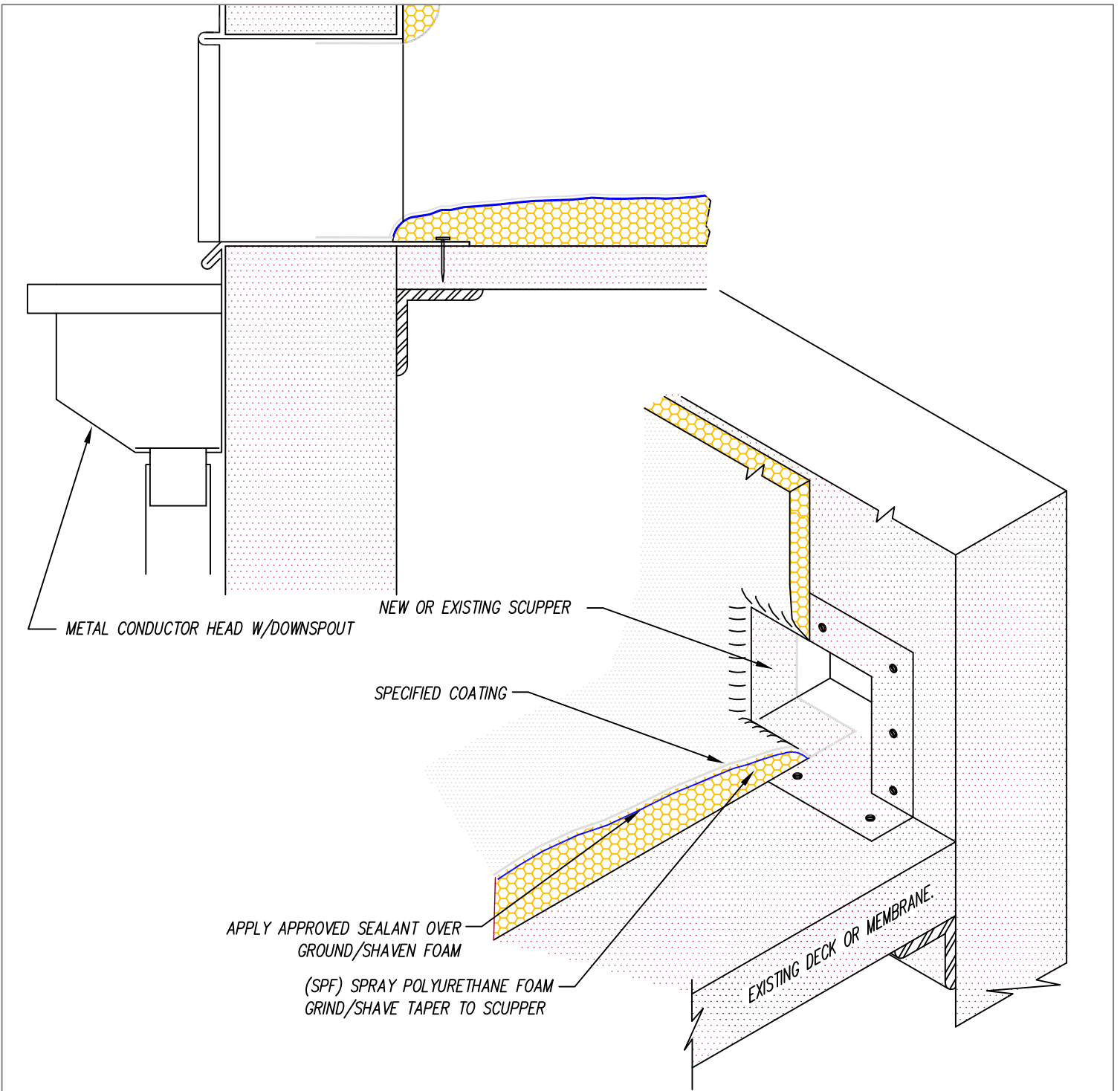
**DFD STANDARD POLYURETHANE SPRAY FOAM**  
**FLUID COATING DETAILS**

Scale	NO
DFD Number	
Set Type	RD.
Date Issued	
Sheet Number	<b>A6.9</b>


Agency / Institution:

Sheet Title:

NEW FOAM-STOP FASCIA  
DRIP EDGE DETAIL 10/01/2012



1 / A6.10 DRAINAGE SCUPPER DETAIL  
NO SCALE:


**State of Wisconsin**  
**Department of Administration**  
**Division of Facilities Development**

Agency / Institution:

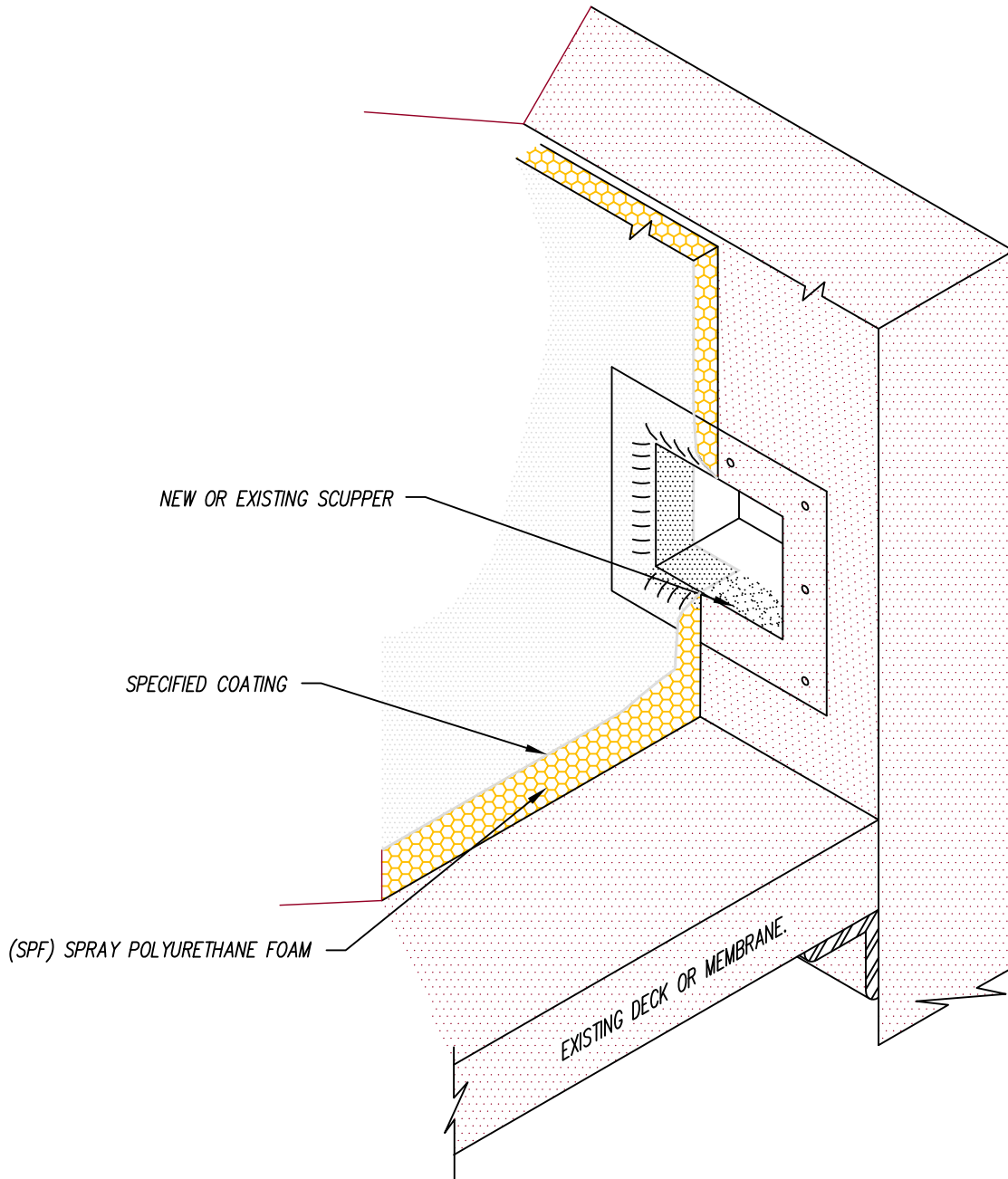
**DFD STANDARD POLYURETHANE SPRAY FOAM**  
**FLUID COATING DETAILS**

Sheet Title:

SCUPPER DETAIL

Scale	NO
DFD Number	
Set Type	RD.
Date Issued	
Sheet Number	<b>A6.10</b>

10/01/2012



1  
A6.11

OVERFLOW SCUPPER DETAIL

NO SCALE:



State of Wisconsin  
Department of Administration  
Division of Facilities Development

DFD STANDARD POLYURETHANE SPRAY FOAM  
FLUID COATING DETAILS

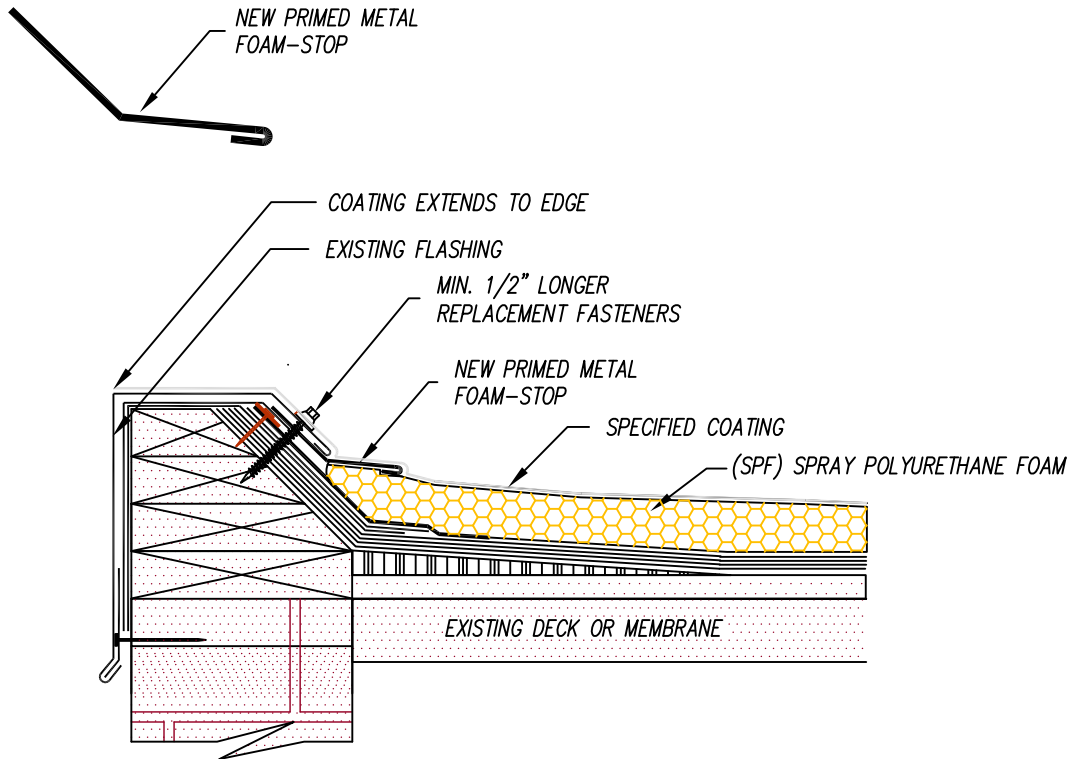
Scale	NO
DFD Number	
Set Type	RD.
Date Issued	
Sheet Number	A6.11

Agency / Institution:

Sheet Title: OVERFLOW SCUPPER DETAIL

10/01/2012

**NOTE:**  
 CONTRACTOR TO INSTALL METAL FOAM-STOP  
 PRIOR TO SPRAY FOAM APPLICATION



1  
 A6.12

**EXISTING FASCIA NEW FOAM-STOP DETAIL**

NO SCALE:



State of Wisconsin  
 Department of Administration  
 Division of Facilities Development

**DFD STANDARD POLYURETHANE SPRAY FOAM  
 FLUID COATING DETAILS**

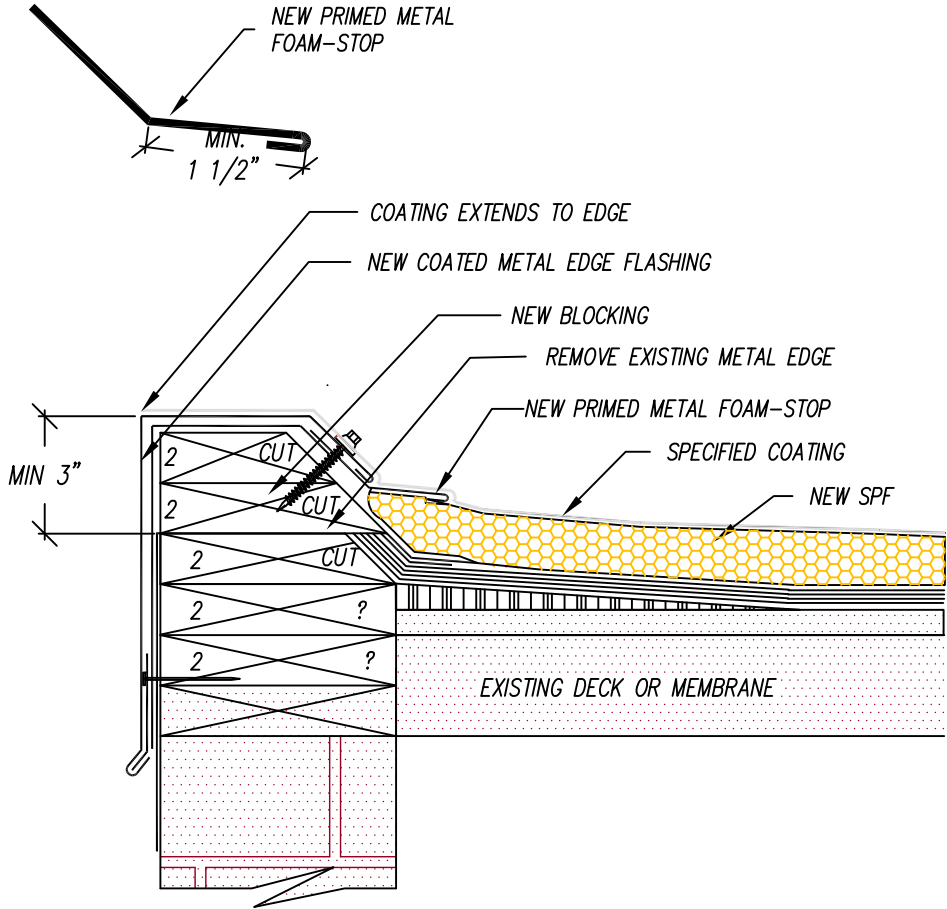
Scale	NO
DFD Number	
Set Type	RD.
Date Issued	
Sheet Number	<b>A6.12</b>

Agency / Institution:

Sheet Title:

NEW FASCIA FOAM-STOP DETAIL 10/01/2012

**NOTE:**  
 CONTRACTOR TO INSTALL METAL FOAM-STOP  
 PRIOR TO SPRAY FOAM APPLICATION



1 / A6.13 NEW 2-PC FASCIA FOAM-STOP DETAIL  
 NO SCALE:



State of Wisconsin  
 Department of Administration  
 Division of Facilities Development

DFD STANDARD POLYURETHANE SPRAY FOAM  
 FLUID COATING DETAILS

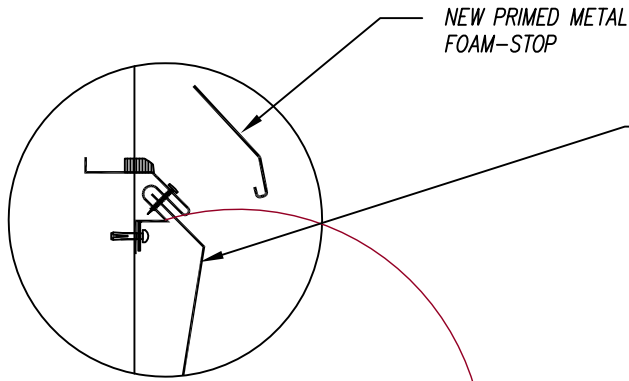
Scale	NO
DFD Number	
Set Type	RD.
Date Issued	

Agency / Institution:

Sheet Title:

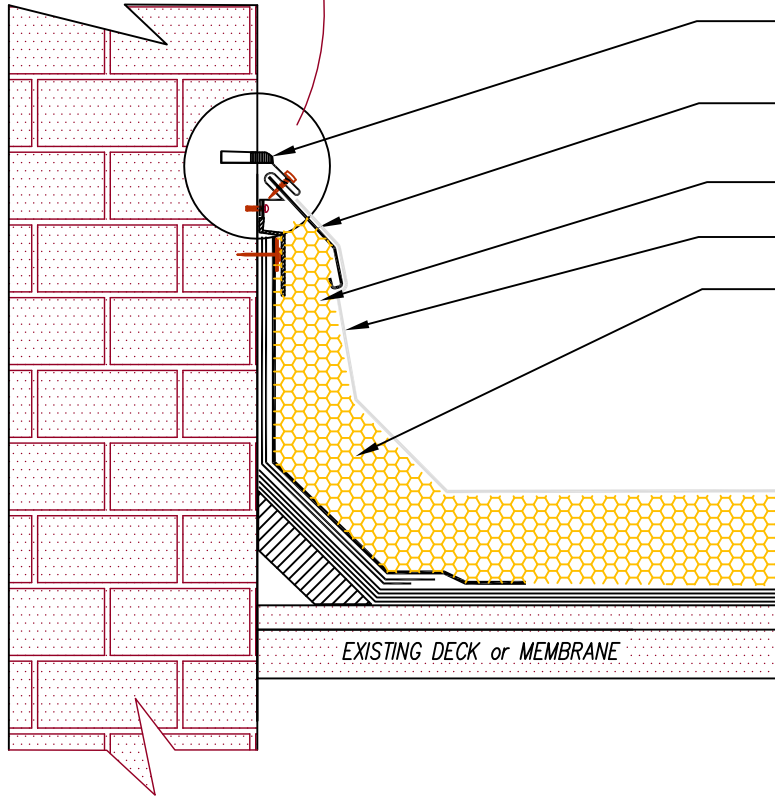
FASCIA FOAM-STOP DETAIL 10/01/2012

Sheet Number **A6.13**



**NOTE:**  
 CONTRACTOR TO INSTALL METAL FOAM-STOP  
 PRIOR TO SPRAY FOAM APPLICATION

REMOVE EXISTING FLASHING AND  
 REPLACE WITH NEW FOAM-STOP



1 PART POLYURETHANE SEALANT  
 COATING EXTENDS OVER TOP OF  
 NEW FOAM-STOP  
 NEW SPF  
 SPECIFIED COATING  
 (SPF) SPRAY POLYURETHANE FOAM

EXISTING DECK or MEMBRANE

1  
 A6.14

REGLET & 2 PC. COUNTERFLASHING  
 NEW FOAM-STOP DETAIL

NO SCALE:



State of Wisconsin  
 Department of Administration  
 Division of Facilities Development

DFD STANDARD POLYURETHANE SPRAY FOAM  
 FLUID COATING DETAILS

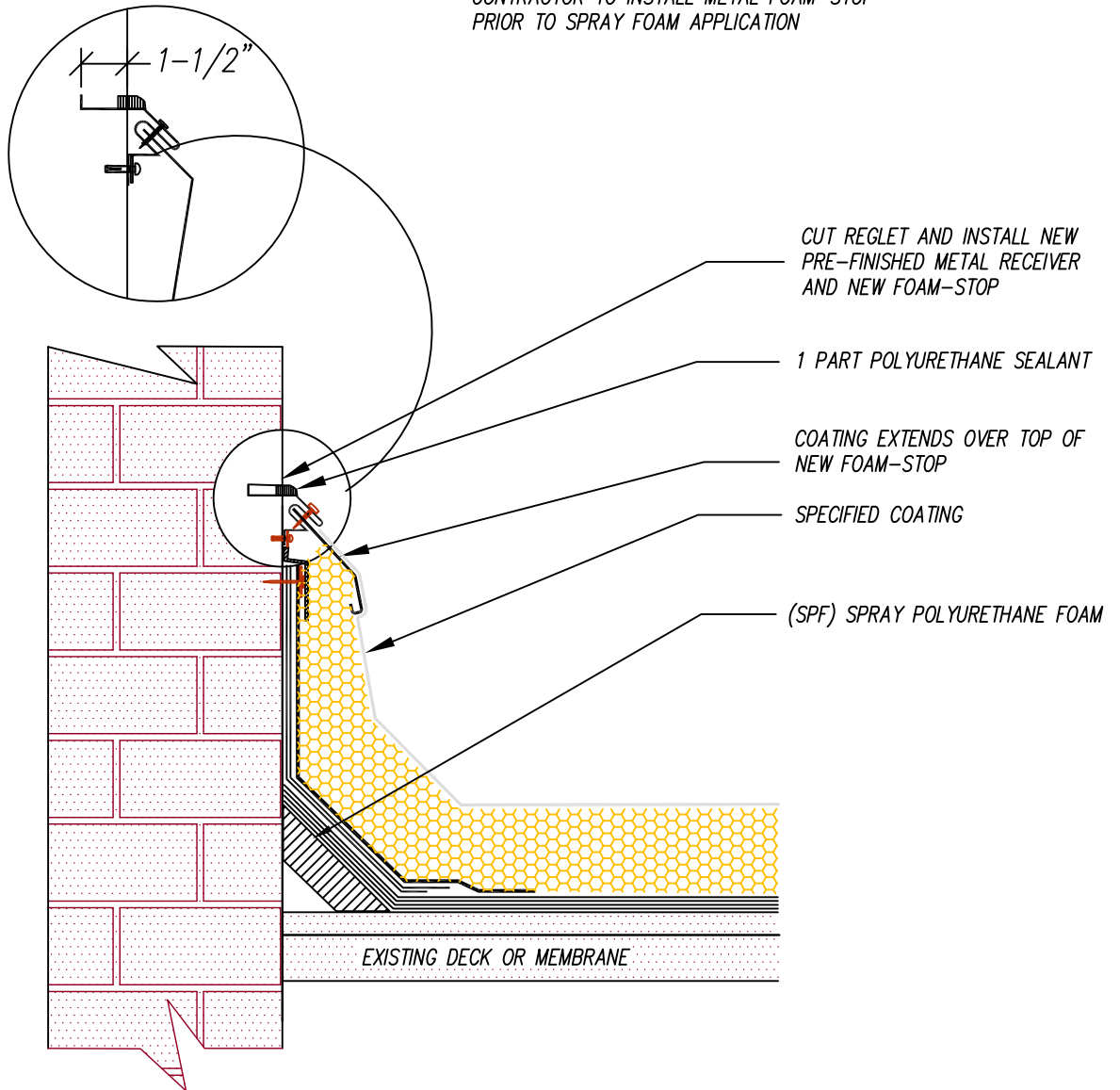
Scale	NO
DFD Number	
Set Type	RD.
Date Issued	

Agency / Institution:

Sheet Title: REGLET AND 2 PC. COUNTERFLASHING DETAIL 10/01/2012

Sheet Number **A6.14**

**NOTE:**  
 CONTRACTOR TO INSTALL METAL FOAM-STOP  
 PRIOR TO SPRAY FOAM APPLICATION



1  
 A6.15 CUT REGLET WITH  
 NEW FOAM-STOP DETAIL NO SCALE:



State of Wisconsin  
 Department of Administration  
 Division of Facilities Development

**DFD STANDARD POLYURETHANE SPRAY FOAM  
 FLUID COATING DETAILS**

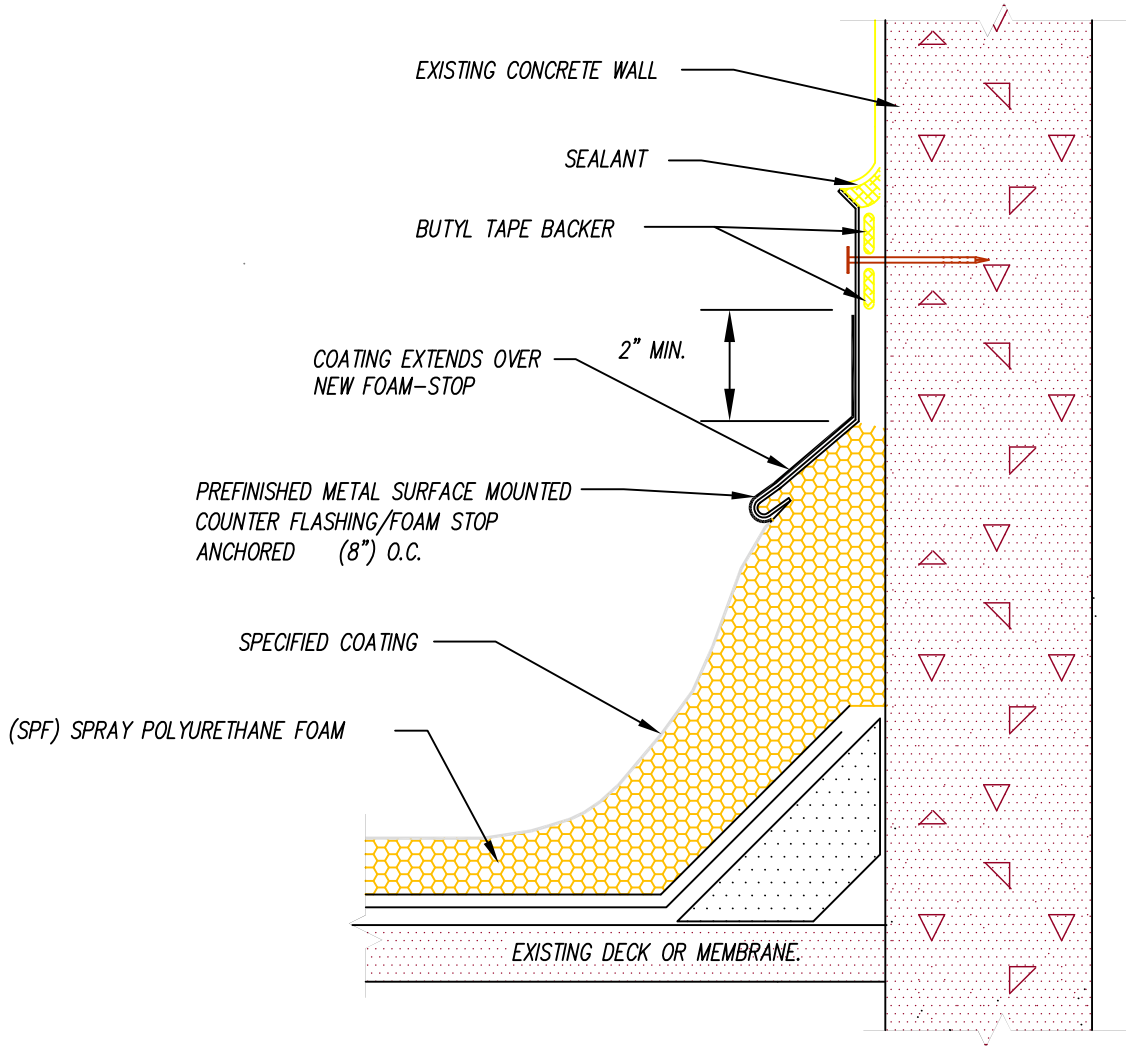
Scale	NO
DFD Number	
Set Type	RD.
Date Issued	
Sheet Number	<b>A6.15</b>

Agency / Institution:

Sheet Title: CUT REGLET WITH  
 NEW FOAM-STOP DETAIL 10/01/2012



**NOTE:**  
 CONTRACTOR TO INSTALL METAL FOAM-STOP  
 PRIOR TO SPRAY FOAM APPLICATION



1 SURFACE MOUNT COUNTERFLASHING DETAIL  
 A6.16 NO SCALE:



State of Wisconsin  
 Department of Administration  
 Division of Facilities Development

Agency / Institution:

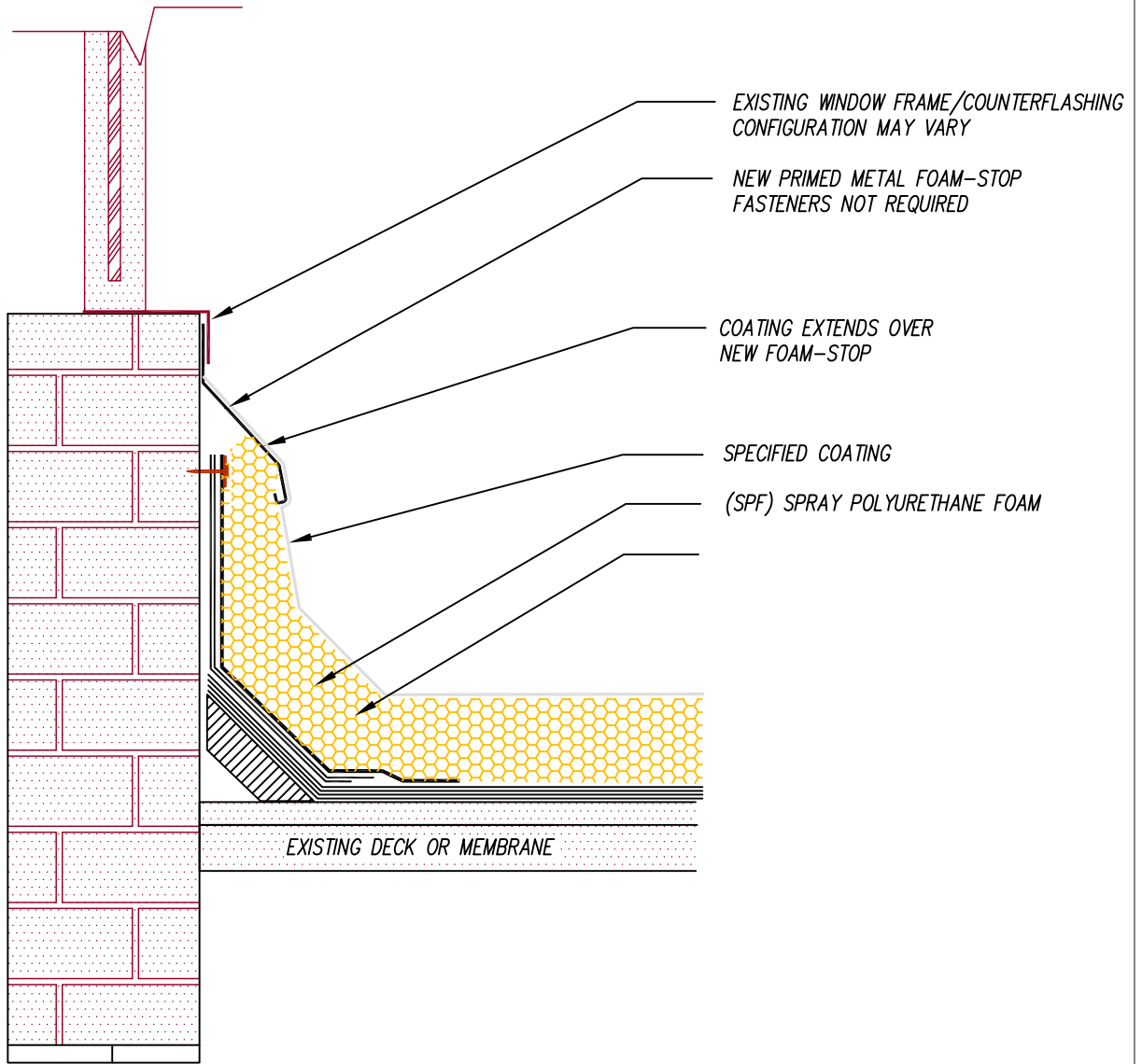
DFD STANDARD POLYURETHANE SPRAY FOAM  
 FLUID COATING DETAILS

Sheet Title:

SURFACE MOUNT COUNTERFLASHING DETAIL 10/01/2012

Scale	NO
DFD Number	
Set	RD.
Type	
Date Issued	
Sheet Number	A6.16

**NOTE:**  
 CONTRACTOR TO INSTALL METAL FOAM-STOP  
 PRIOR TO SPRAY FOAM APPLICATION



1  
 A6.17

WINDOW COUNTERFLASHING  
 NEW FOAM-STOP DETAIL

NO SCALE:



State of Wisconsin  
 Department of Administration  
 Division of Facilities Development

DFD STANDARD POLYURETHANE SPRAY FOAM  
 FLUID COATING DETAILS

Scale	NO
DFD Number	
Set Type	RD.
Date Issued	

Agency / Institution:

Sheet Title:

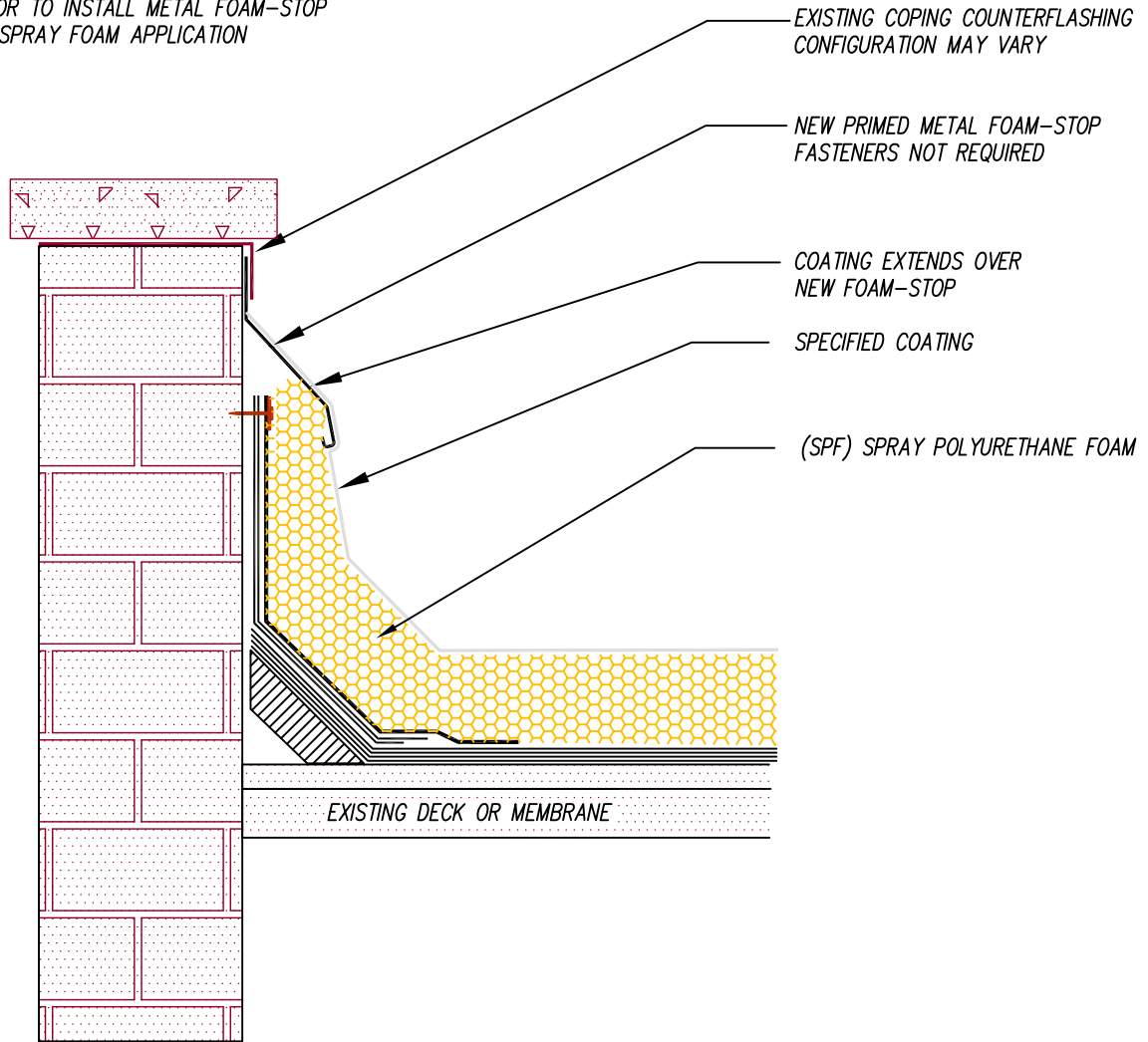
WINDOW COUNTERFLASHING  
 NEW FOAM-STOP DETAIL

10/01/2012


Sheet Number

A6.17

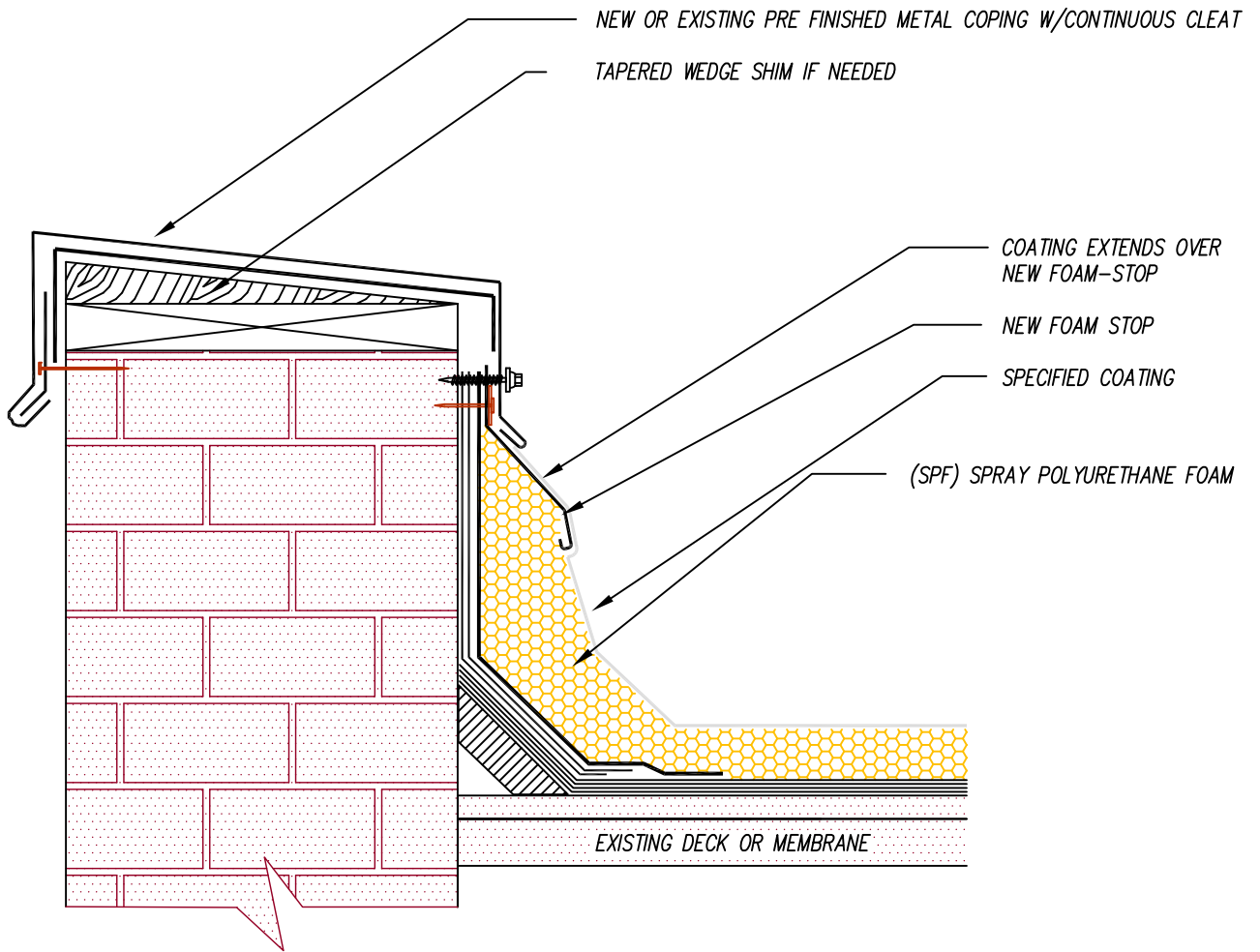
**NOTE:**  
 CONTRACTOR TO INSTALL METAL FOAM-STOP  
 PRIOR TO SPRAY FOAM APPLICATION



1  
A6.18
PARAPET CAP COUNTERFLASHING  
NEW FOAM-STOP DETAIL
NO SCALE:

	<b>State of Wisconsin</b> <b>Department of Administration</b> <b>Division of Facilities Development</b>	<b>DFD STANDARD POLYURETHANE SPRAY FOAM</b> <b>FLUID COATING DETAILS</b>		Scale	NO
		DFD Number Set Type Date Issued	RD.  	Sheet Number	<b>A6.18</b>
Agency / Institution:	Sheet Title:	PARAPET CAP COUNTERFLASHING NEW FOAM-STOP DETAIL		10/01/2012	

**NOTE:**  
 CONTRACTOR TO INSTALL METAL FOAM-STOP  
 PRIOR TO SPRAY FOAM APPLICATION



1  
 A6.19

**COPING DETAIL**  
 NO SCALE:



**State of Wisconsin**  
**Department of Administration**  
**Division of Facilities Development**

Agency / Institution:

**DFD STANDARD POLYURETHANE SPRAY FOAM**  
**FLUID COATING DETAILS**

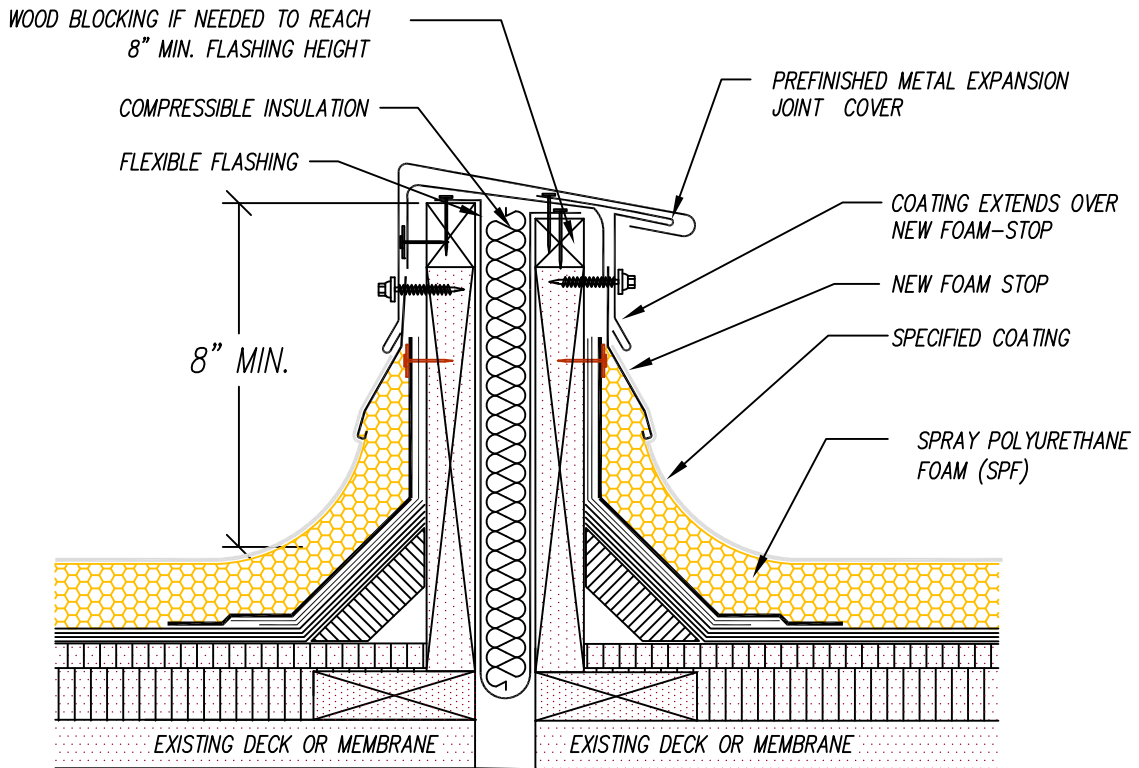
Sheet Title:

*COPING DETAIL*

10/01/2012

Scale	NO
DFD Number	
Set Type	RD.
Date Issued	
Sheet Number	<b>A6.19</b>

**NOTE:**  
 CONTRACTOR TO INSTALL METAL FOAM-STOP  
 PRIOR TO SPRAY FOAM APPLICATION



1 EXP JT. DETAIL  
 A6.20 NO SCALE:



State of Wisconsin  
 Department of Administration  
 Division of Facilities Development

DFD STANDARD POLYURETHANE SPRAY FOAM  
 FLUID COATING DETAILS

Scale	NO
DFD Number	
Set Type	RD.
Date Issued	
Sheet Number	A6.20

Agency / Institution:

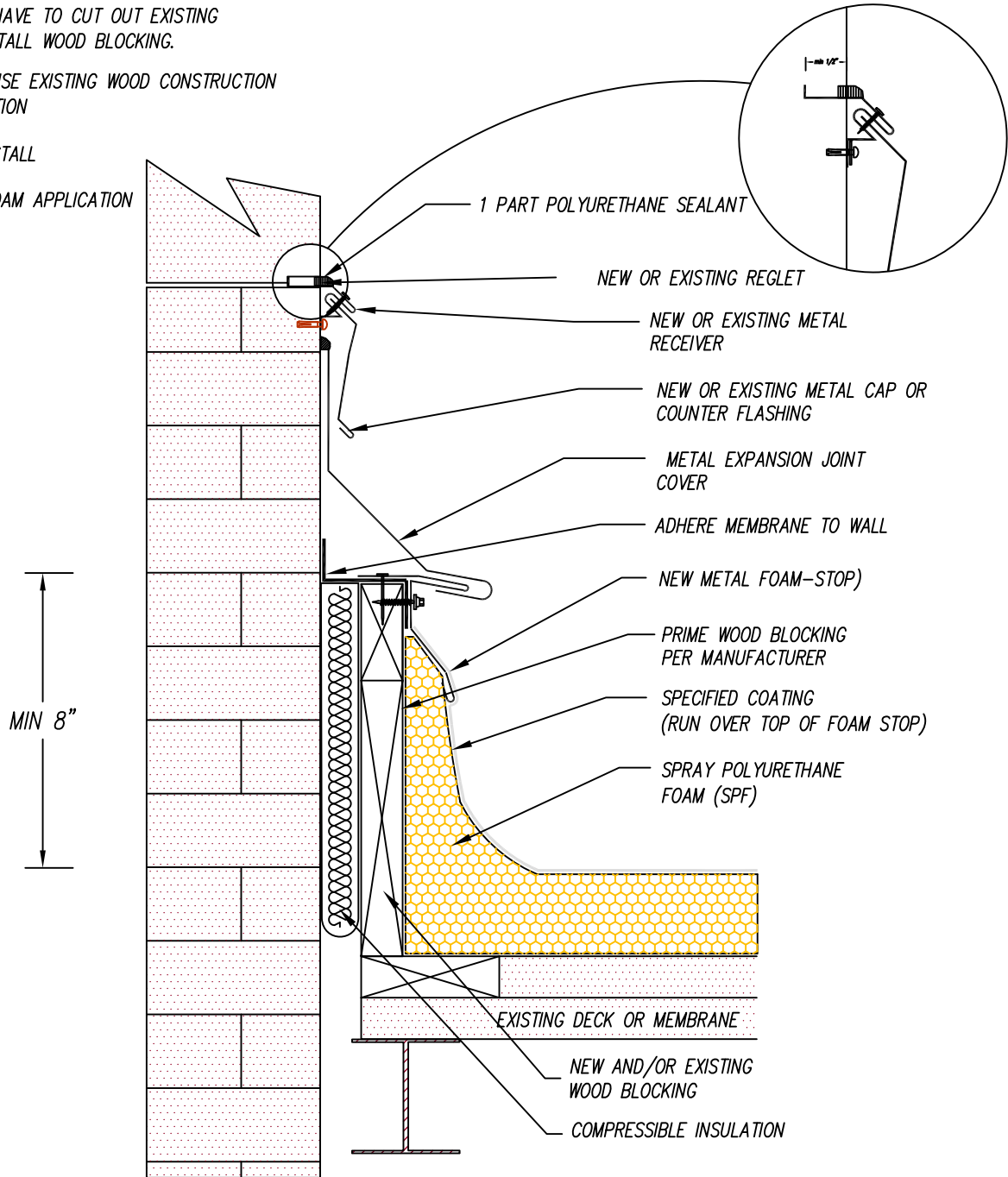
Sheet Title:

EXP. JT. DETAIL


10/01/2012

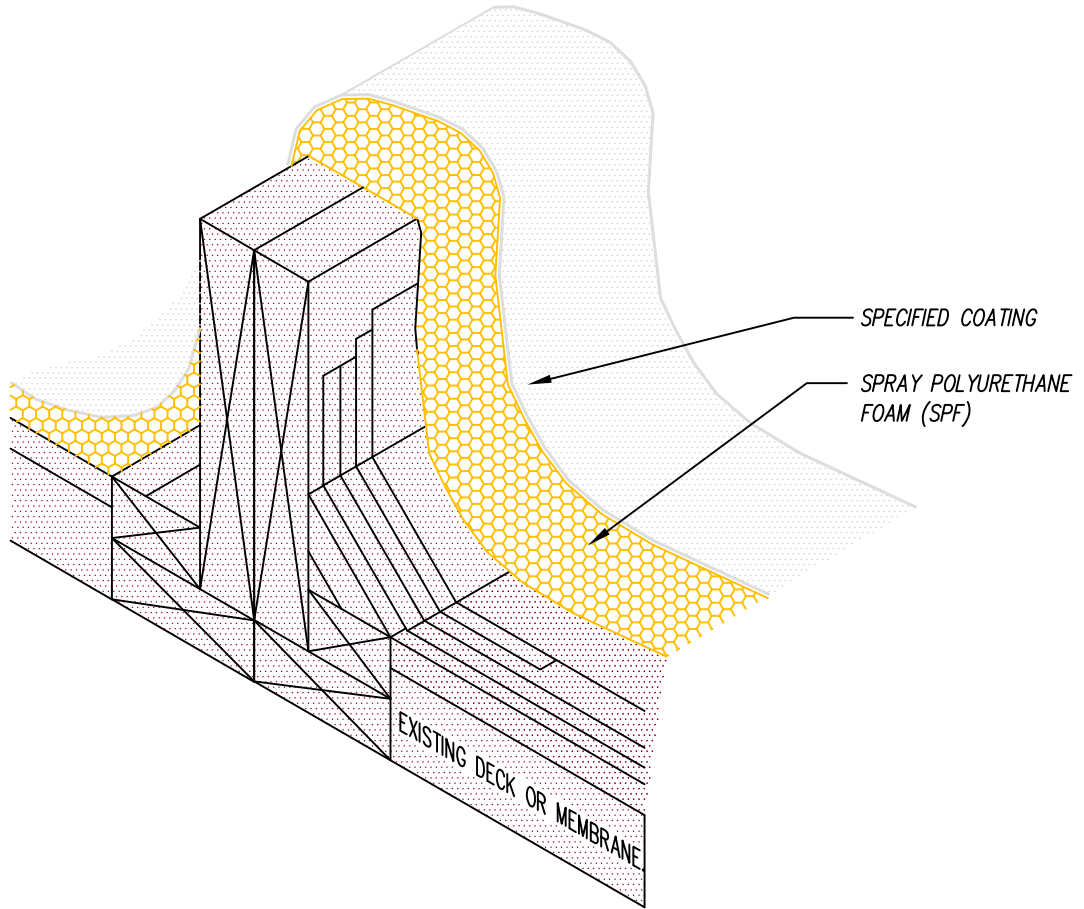
**NOTE:**

- 1: CONTRACTOR MAY HAVE TO CUT OUT EXISTING INSULATION TO INSTALL WOOD BLOCKING.
- 2: CONTRACTOR MAY USE EXISTING WOOD CONSTRUCTION IF IN SOUND CONDITION
- 3: CONTRACTOR TO INSTALL METAL FOAM-STOP PRIOR TO SPRAY FOAM APPLICATION



1  
A6.21
WALL EXP. JOINT DETAIL  
 NO SCALE:

	<b>State of Wisconsin</b> <b>Department of Administration</b> <b>Division of Facilities Development</b>	<b>DFD STANDARD POLYURETHANE SPRAY FOAM</b>		Scale	NO
		<b>FLUID COATING DETAILS</b>		DFD Number	
Agency / Institution:		Sheet Title:		Set Type	RD.
				Date Issued	
		WALL EXP. JOINT DETAIL	10/01/2012	Sheet Number	<b>A6.21</b>



1  
A6.22

TYPICAL AREA DIVIDER DETAIL

NO SCALE:



State of Wisconsin  
 Department of Administration  
 Division of Facilities Development

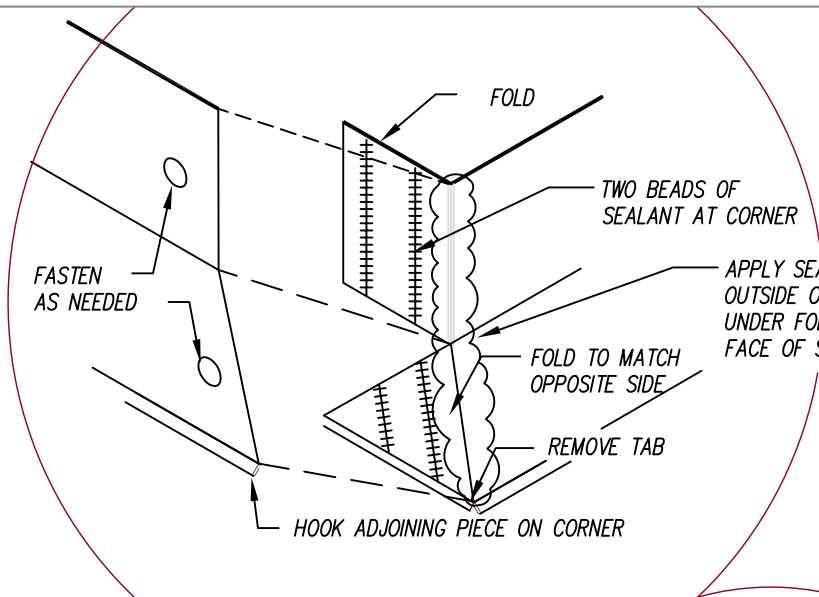
DFD STANDARD POLYURETHANE SPRAY FOAM  
 FLUID COATING DETAILS

Scale	NO
DFD Number	
Set Type	RD.
Date Issued	
Sheet Number	<b>A6.22</b>

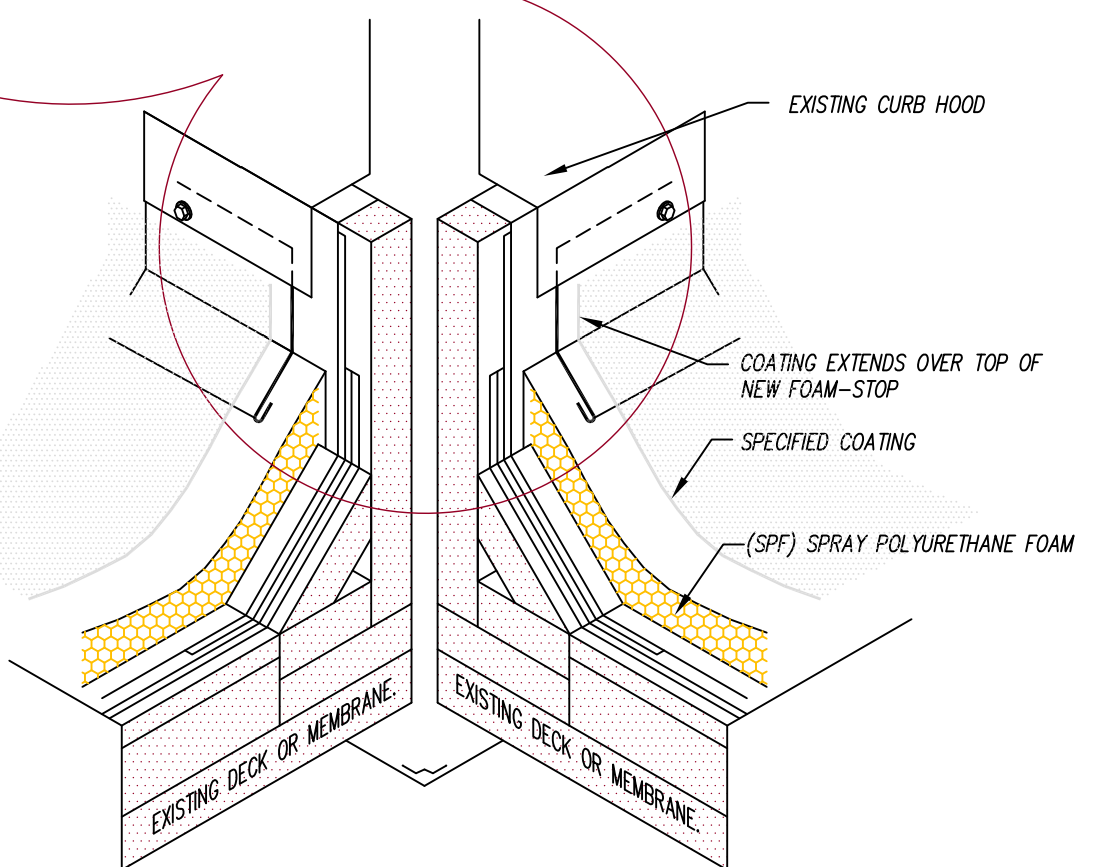
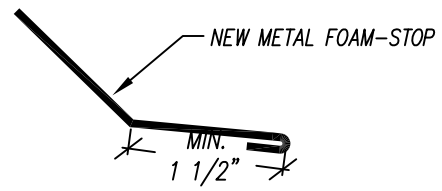
Agency / Institution:

Sheet Title:

AREA DIVIDER DETAIL 10/01/2012



**NOTE:**  
 CONTRACTOR TO INSTALL METAL FOAM-STOP  
 PRIOR TO SPRAY FOAM APPLICATION



1  
 A6.23 ROOF CURB WITH  
 NEW FOAM-STOP DETAIL NO SCALE:



State of Wisconsin  
 Department of Administration  
 Division of Facilities Development

DFD STANDARD POLYURETHANE SPRAY FOAM  
 FLUID COATING DETAILS

Scale	NO
DFD Number	
Set Type	RD.
Date Issued	
Sheet Number	<b>A6.23</b>

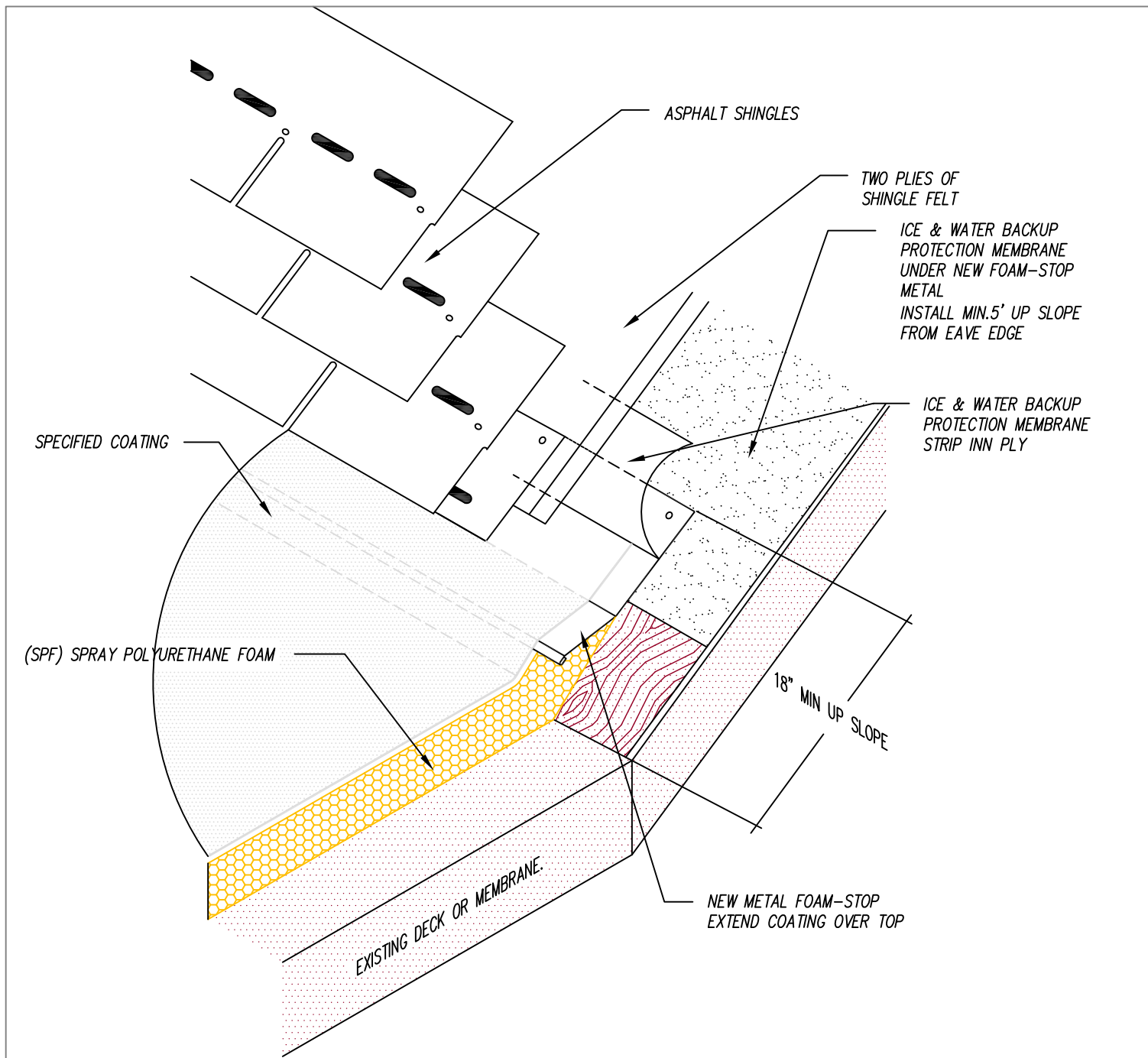
Agency / Institution:

Sheet Title:

CURB DETAIL

10/01/2012





1  
A6.24

SPF TO SHINGLE TIE INN DETAIL

NO SCALE:



State of Wisconsin  
 Department of Administration  
 Division of Facilities Development

DFD STANDARD POLYURETHANE SPRAY FOAM  
 FLUID COATING DETAILS

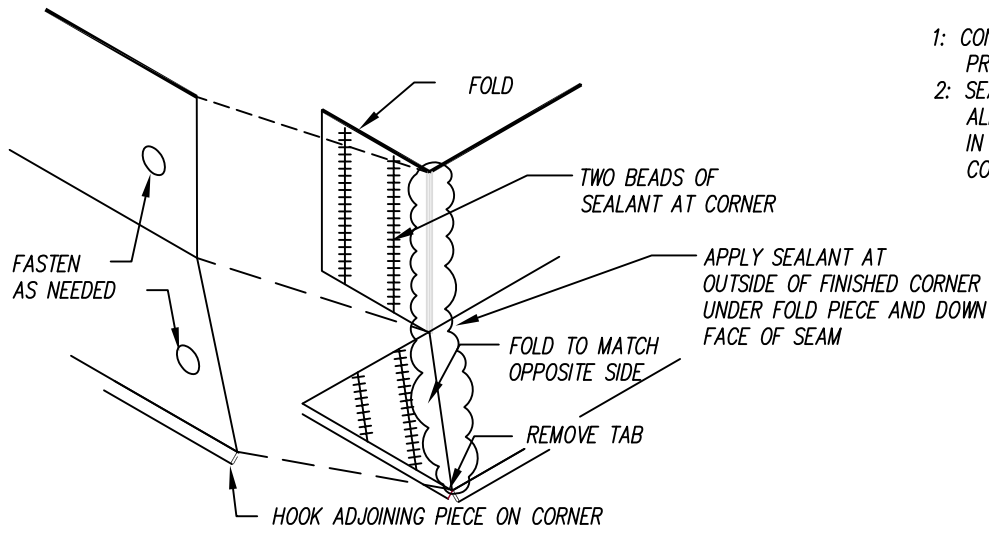
Scale	NO
DFD Number	
Set Type	RD.
Date Issued	
Sheet Number	<b>A6.24</b>

Agency / Institution:

Sheet Title:

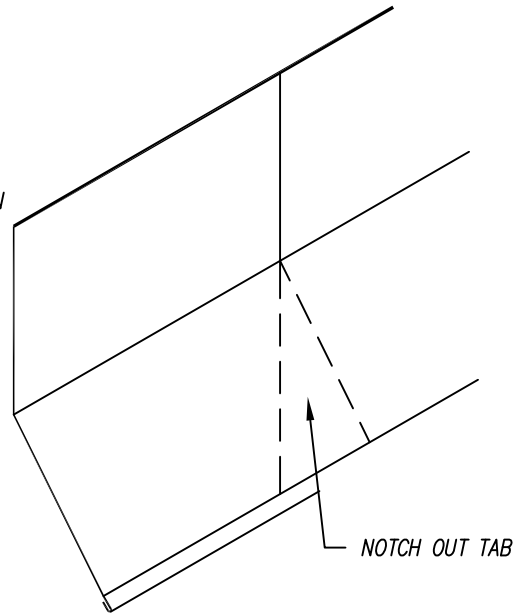
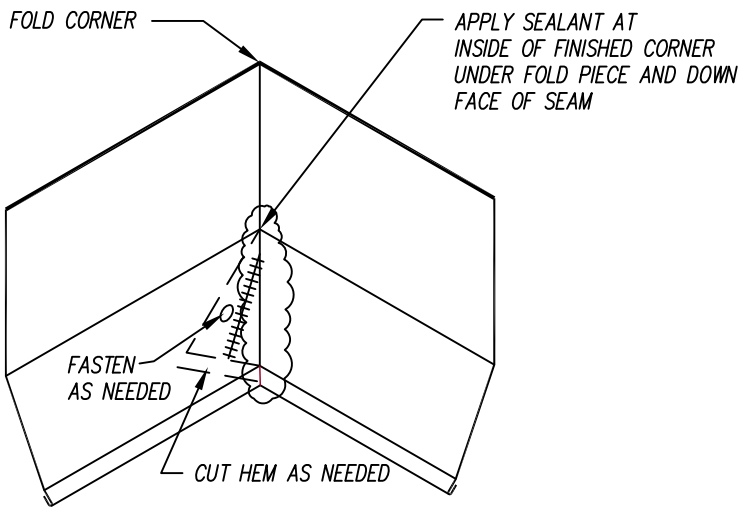
SHINGLE TIE IN DETAIL

10/01/2012



**NOTE:**

- 1: CONTRACTOR TO INSTALL METAL FOAM-STOP PRIOR TO SPRAY FOAM APPLICATION
- 2: SEAL ALL INSIDE AND OUTSIDE CORNERS ALL LAPPED JOINTS AND ANY IRREGULARITIES IN FOAM-STOP METAL PRIOR TO COATING APPLICATION



1  
A6.25

**UNIVERSAL CORNER FOAM-STOP DETAIL**

NO SCALE:



State of Wisconsin  
Department of Administration  
Division of Facilities Development

DFD STANDARD POLYURETHANE SPRAY FOAM  
FLUID COATING DETAILS

Scale	NO
DFD Number	
Set Type	RD.
Date Issued	

Agency / Institution:

Sheet Title:

UNIVERSAL CORNER DETAIL

10/01/2012

Sheet Number  
**A6.25**