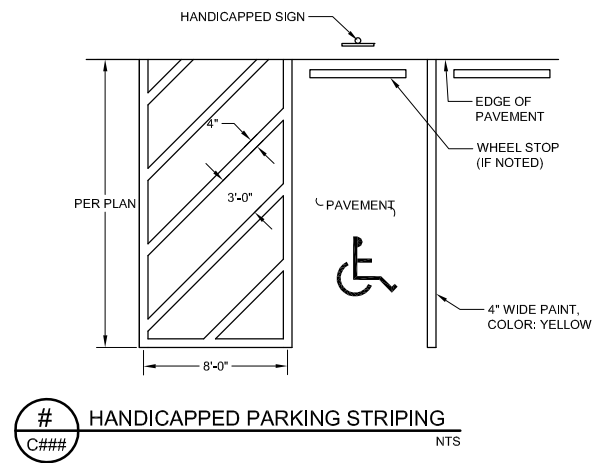
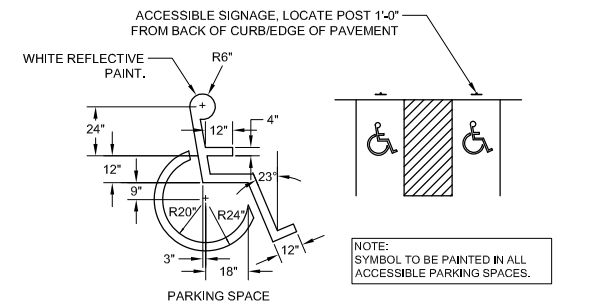


HANDICAPPED PARKING STRIPING (ANGLED)
C### NTS



HANDICAPPED PARKING STRIPING
C### NTS



ACCESSIBLE PARKING PAVEMENT MARKING
C### NTS



HANDICAP SIGN
C### NTS

DESIGNER NOTE:
1. REVIEW STANDARDS TO MAKE SURE THEY ARE CURRENT. APPLY ANY NEW STANDARDS TO DETAILS.



Revisions:		
No.	Date:	Description:

Graphic Scale	
DFD Number	
Set Type	
Date Issued	8/1/2017
Sheet Number	