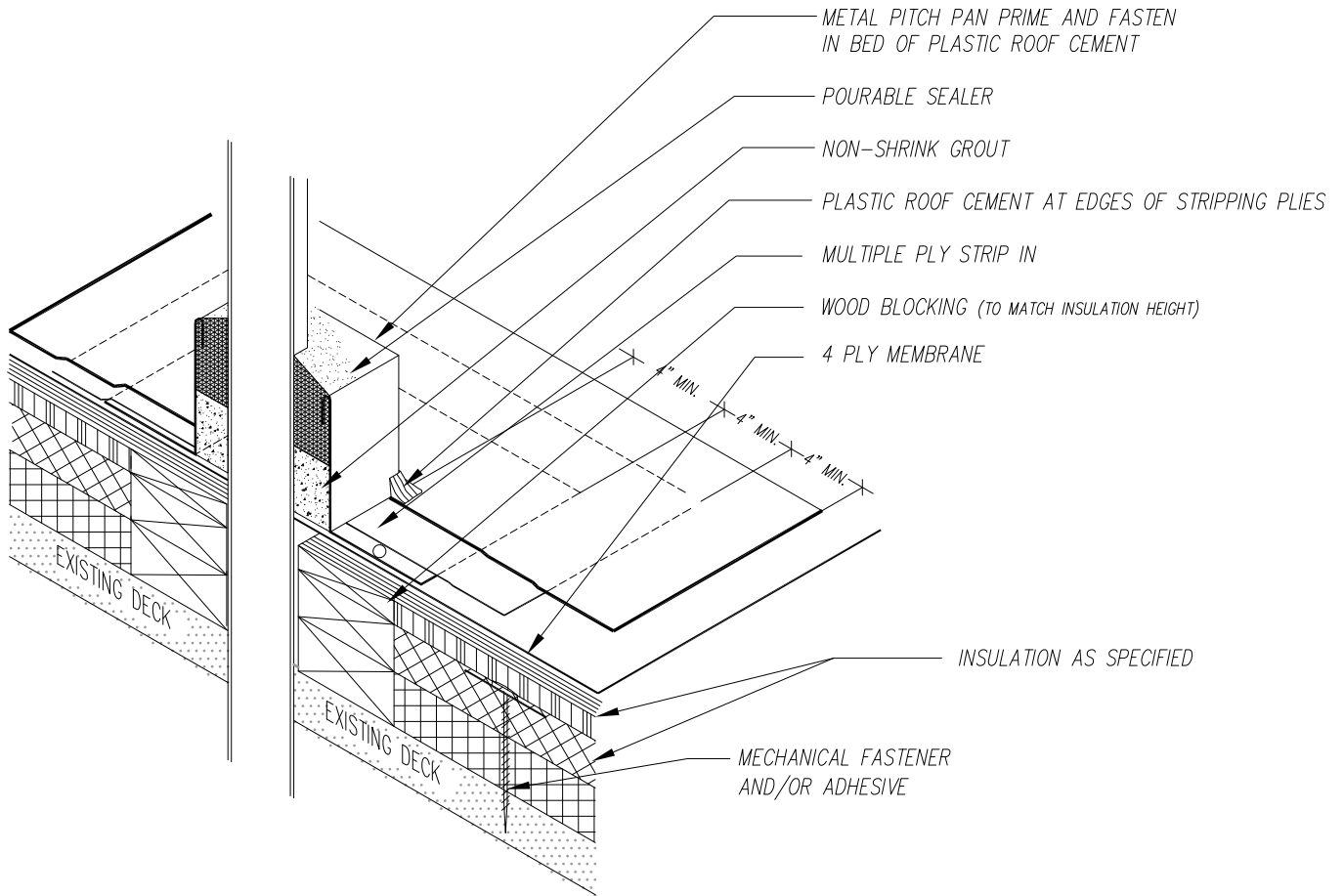


# A 300 BUR Construction Detail

- A3.1 Pitch Pan Detail
- A3.2 Hi Temp Pipe Detail
- A3.3 Class B Vent Detail
- A3.4 Vent Stack Detail
- A3.5 Roof Drain Detail
- A3.6 Fascia Detail
- A3.7 Multiple Fascia Detail
- A3.8 Coping Detail
- A3.9 Butt End @ Coping Detail
- A3.10 Reglet & 2 PC. Counter flashing Detail
- A3.11 Surface Mount Counter flashing Detail
- A3.12 Expansion Joint Detail
- A3.13 Wall Exp. Joint Detail
- A3.14 Roof Curb Detail
- A3.15 Roof Hatch Detail
- A3.16 Wood Build Sleeper Curb Detail
- A3.17 Prefab. Metal Sleeper Curb Detail
- A3.18 Equipment Support w/Pipe Chase Detail
- A3.19 Multiple Pipe Support Detail
- A3.20 Louver Flashing Min. Height Detail
- A3.21 Window Flashing Min. Height Detail
- A3.22 Door Flashing Min. Height Detail
- A3.23 Wood Build Pipe Support Detail
- A3.23 Iron Build Pipe Support Detail
- A3.25 Wood Build Duct Support Detail
- A3.26 Adjustable Duct Support Detail
- A3.27 Equipment Support Detail

**Click For DFD Master  
Specifications**

[http://www.doa.state.wi.us/dsf/masterspec\\_view\\_new.asp?catid=37&locid=4](http://www.doa.state.wi.us/dsf/masterspec_view_new.asp?catid=37&locid=4)



1  
A3.1

PITCH PAN DETAIL

NO SCALE:

SEE SECTION 07 51 13  
FOR INSTALLATION INSTRUCTIONS

*Pressure Treated Plywood and Lumber: These products shall not be specified or provided for use in roofing projects as a substrate material*



State of Wisconsin  
Department of Administration  
Division of Facilities Development

TYPICAL DFD STANDARD  
BUR CONSTRUCTION DETAIL

Scale	NO
DFD Number	
Set Type	RD.
Date Issued	

Sheet Title:

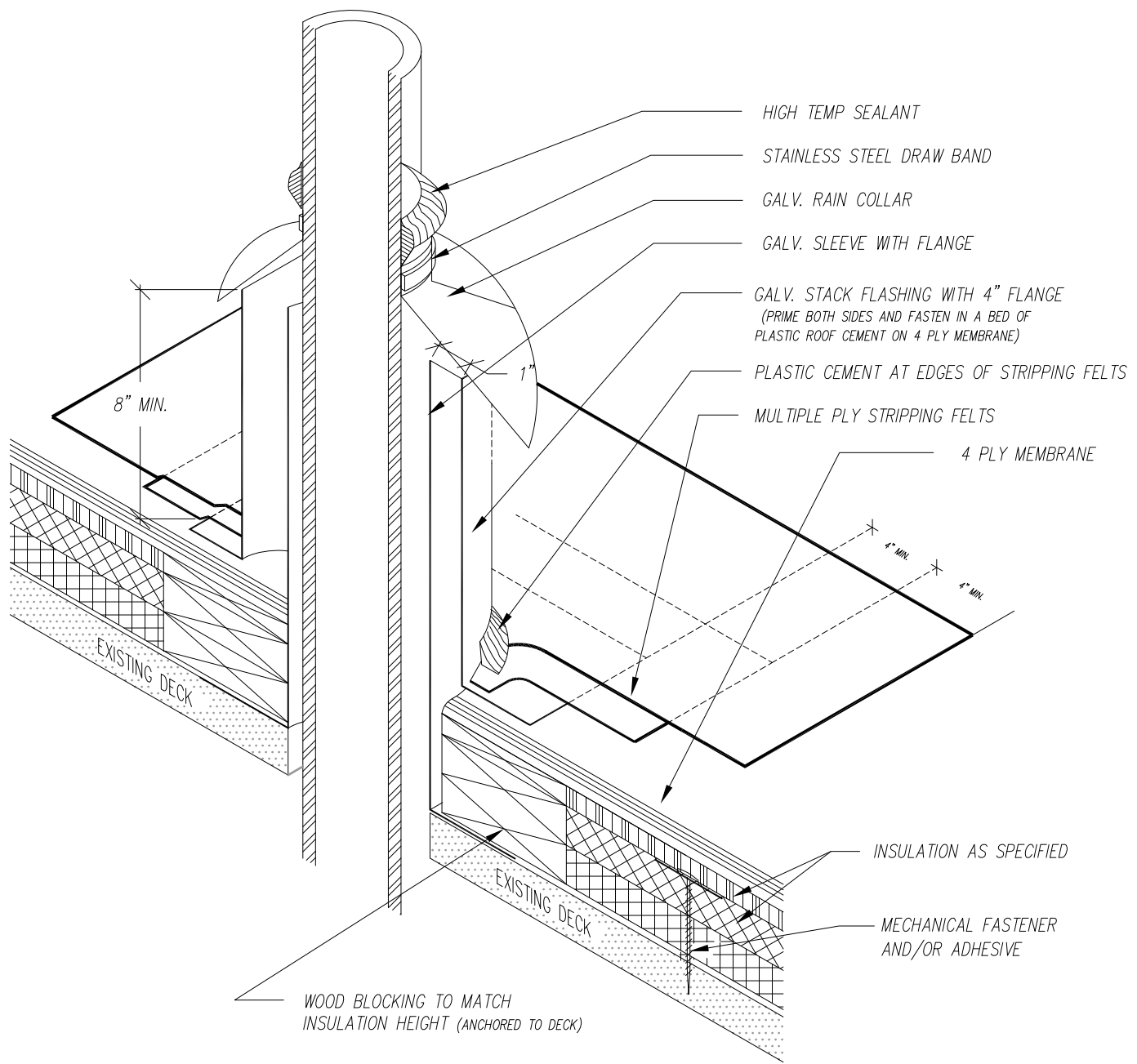
PITCH PAN DETAIL

Rev-10/01/2012

Sheet Number

A3.1

Agency / Institution:



1  
A3.2

HIGH TEMP. PIPE DETAIL

NO SCALE:

SEE SECTION 07 51 13  
FOR INSTALLATION INSTRUCTIONS

*Pressure Treated Plywood and Lumber: These products shall not be specified or provided for use in roofing projects as a substrate material*



State of Wisconsin  
Department of Administration  
Division of Facilities Development

TYPICAL DFD STANDARD  
BUR CONSTRUCTION DETAIL

Scale	NO
DFD Number	
Set Type	RD.
Date Issued	

Agency / Institution:

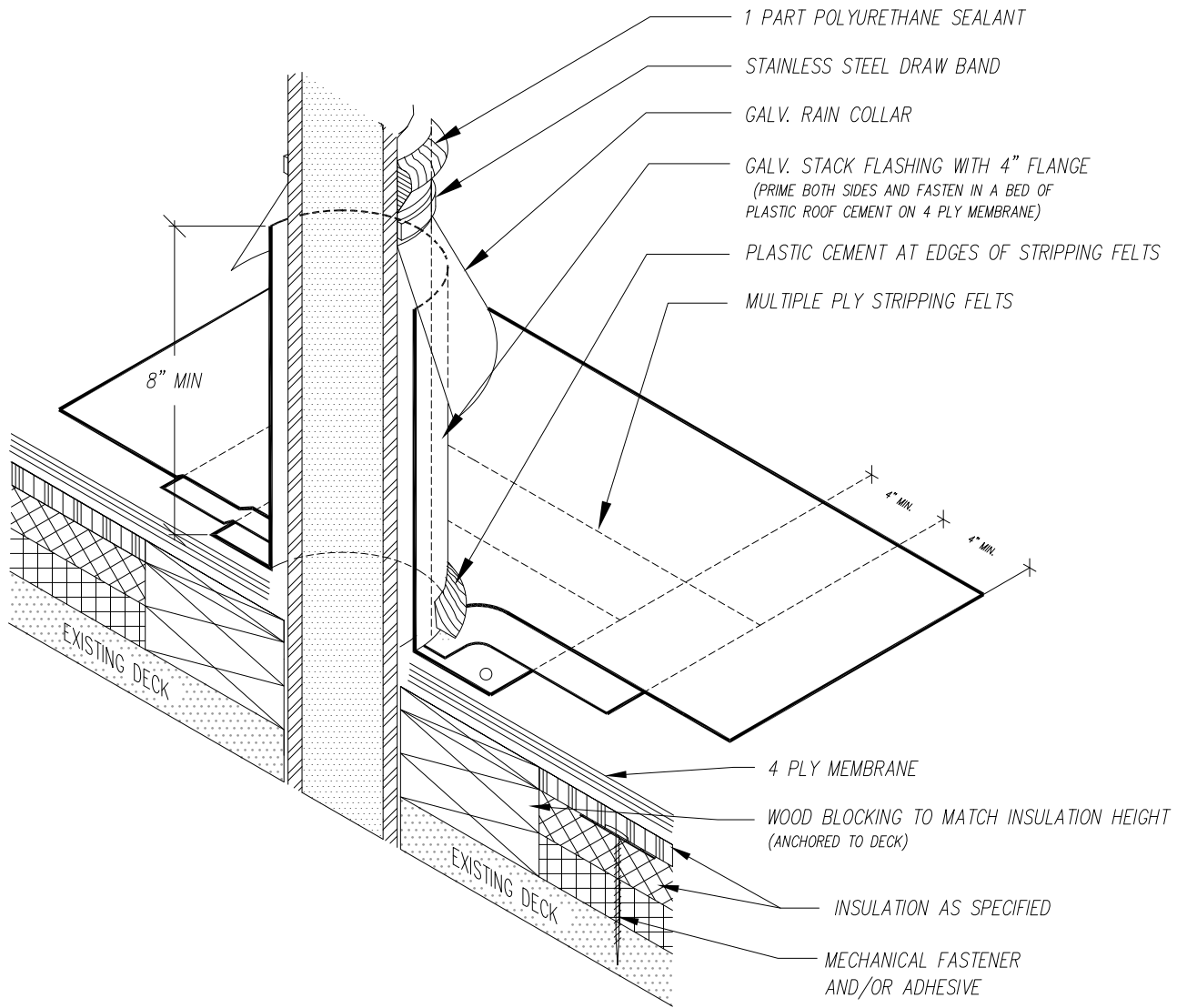
Sheet Title:

HIGH TEMP PIPE DETAIL

Rev-10/01/2012

Sheet Number

A3.2



1  
A3.3

### CLASS B VENT PIPE DETAIL

NO SCALE:

**SEE SECTION 07 51 13  
FOR INSTALLATION INSTRUCTIONS**

*Pressure Treated Plywood and Lumber: These products shall not be specified or provided for use in roofing projects as a substrate material*



**State of Wisconsin  
Department of Administration  
Division of Facilities Development**

**TYPICAL DFD STANDARD  
BUR CONSTRUCTION DETAIL**

Scale	NO
DFD Number	
Set Type	RD.
Date Issued	

Agency / Institution:

Sheet Title:

CLASS B VENT DETAIL

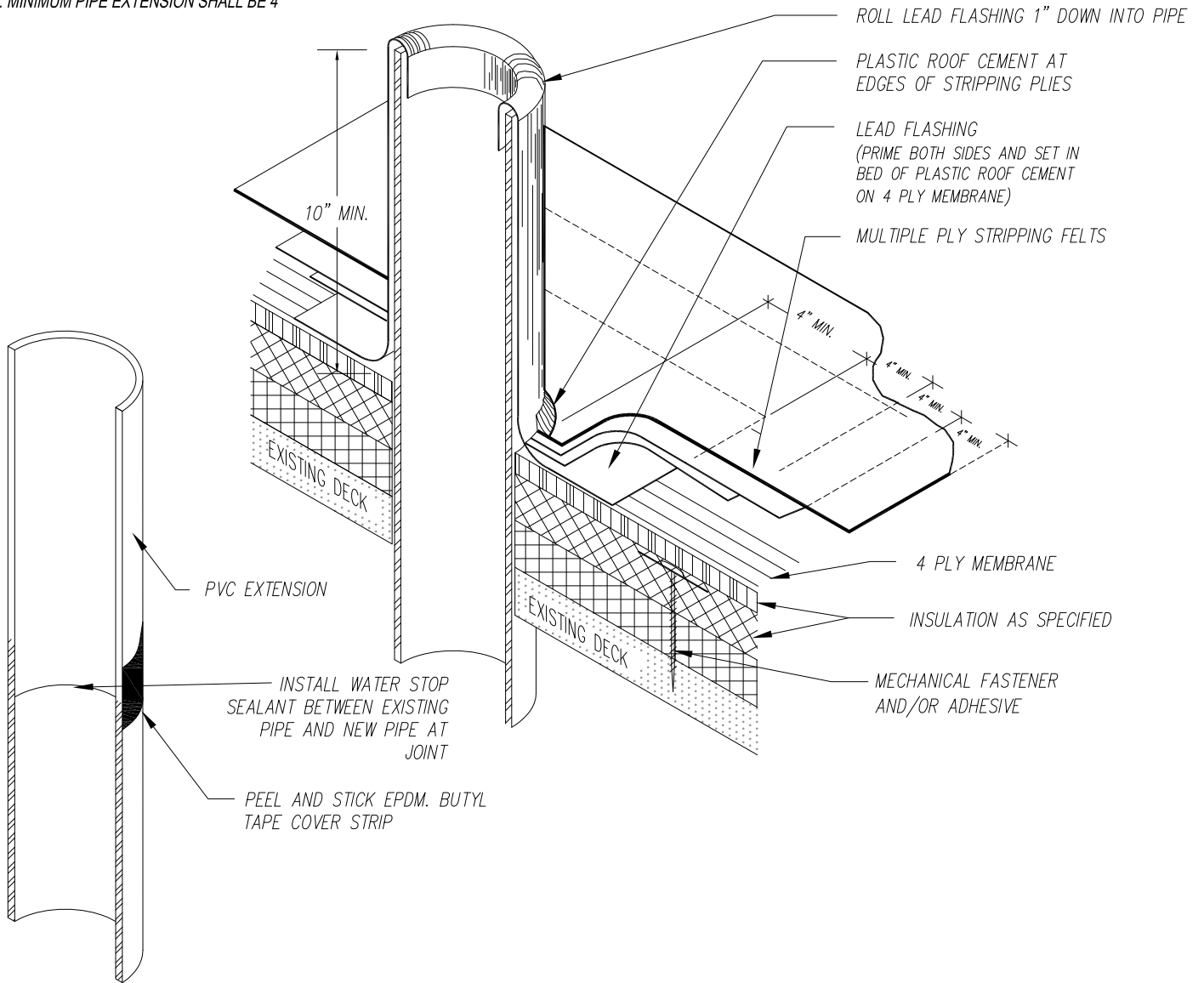
Rev-10/01/2012

Sheet Number

**A3.3**

**NOTE:**

- 1: CONTRACTOR TO RAISE EXISTING VENT STACK  
IF NEEDED TO REACH A 10" MIN. HEIGHT
- 2: MINIMUM PIPE EXTENSION SHALL BE 4"



1  
A3.4

VENT STACK DETAIL

NO SCALE:

SEE SECTION 07 51 13  
FOR INSTALLATION INSTRUCTIONS



State of Wisconsin  
Department of Administration  
Division of Facilities Development

Agency / Institution:

TYPICAL DFD STANDARD  
BUR CONSTRUCTION DETAIL

Sheet Title:

VENT STACK DETAIL

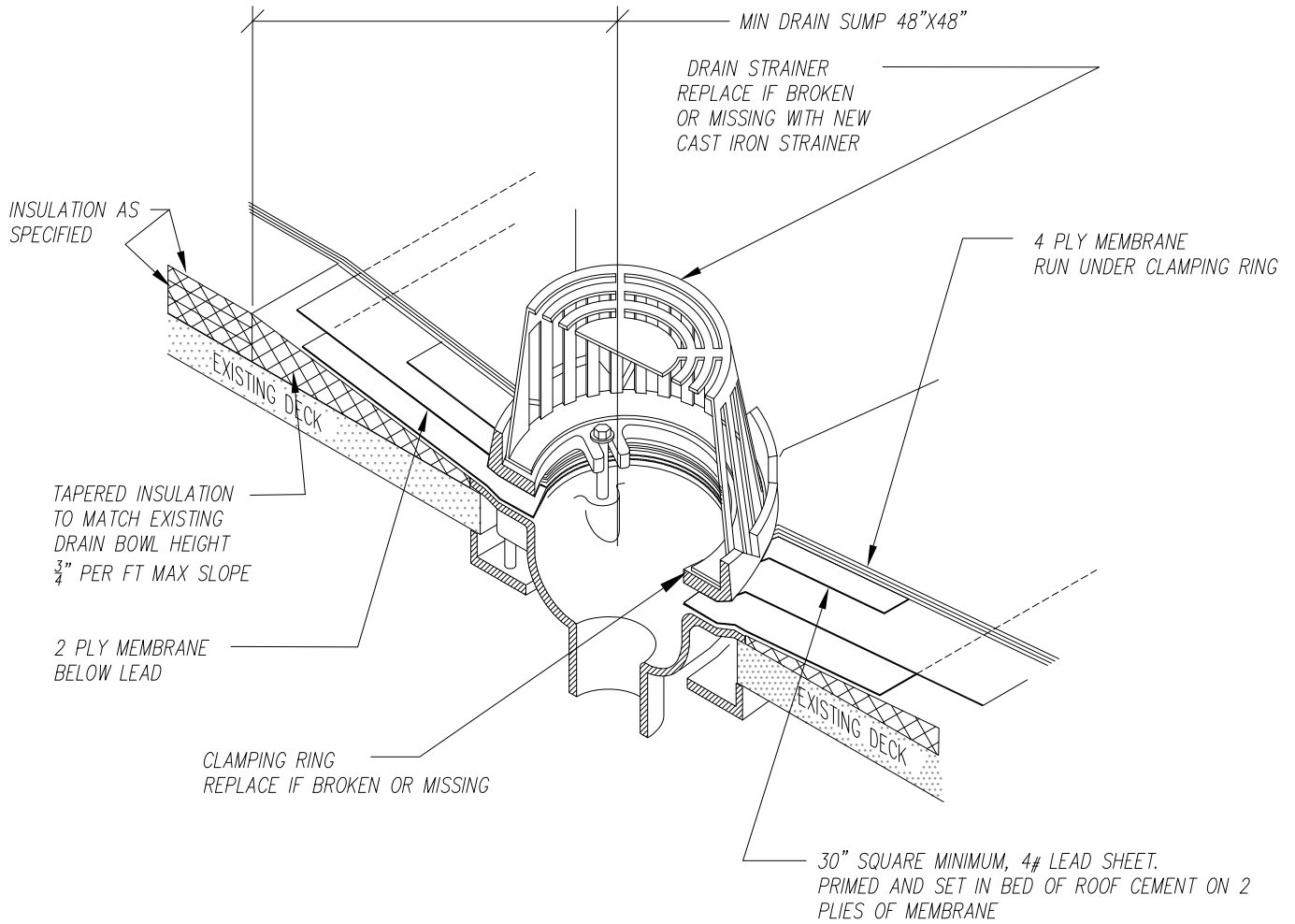
Rev-10/01/2012

Scale	NO
DFD Number	
Set Type	RD.
Date Issued	

Sheet Number  
**A3.4**

**NOTE:**

1: CONTRACTOR MAY HAVE TO CUT OUT EXISTING DRAIN SUMP TO ALLOW FOR INSTALLATION OF NEW INSULATION AND DRAIN SUMP



1  
A3.5

ROOF DRAIN DETAIL

NO SCALE:

SEE SECTION 07 51 13  
FOR INSTALLATION INSTRUCTIONS



State of Wisconsin  
Department of Administration  
Division of Facilities Development

TYPICAL DFD STANDARD  
BUR CONSTRUCTION DETAIL

Scale	NO
DFD Number	
Set Type	RD.
Date Issued	

Sheet Title:  
ROOF DRAIN DETAIL

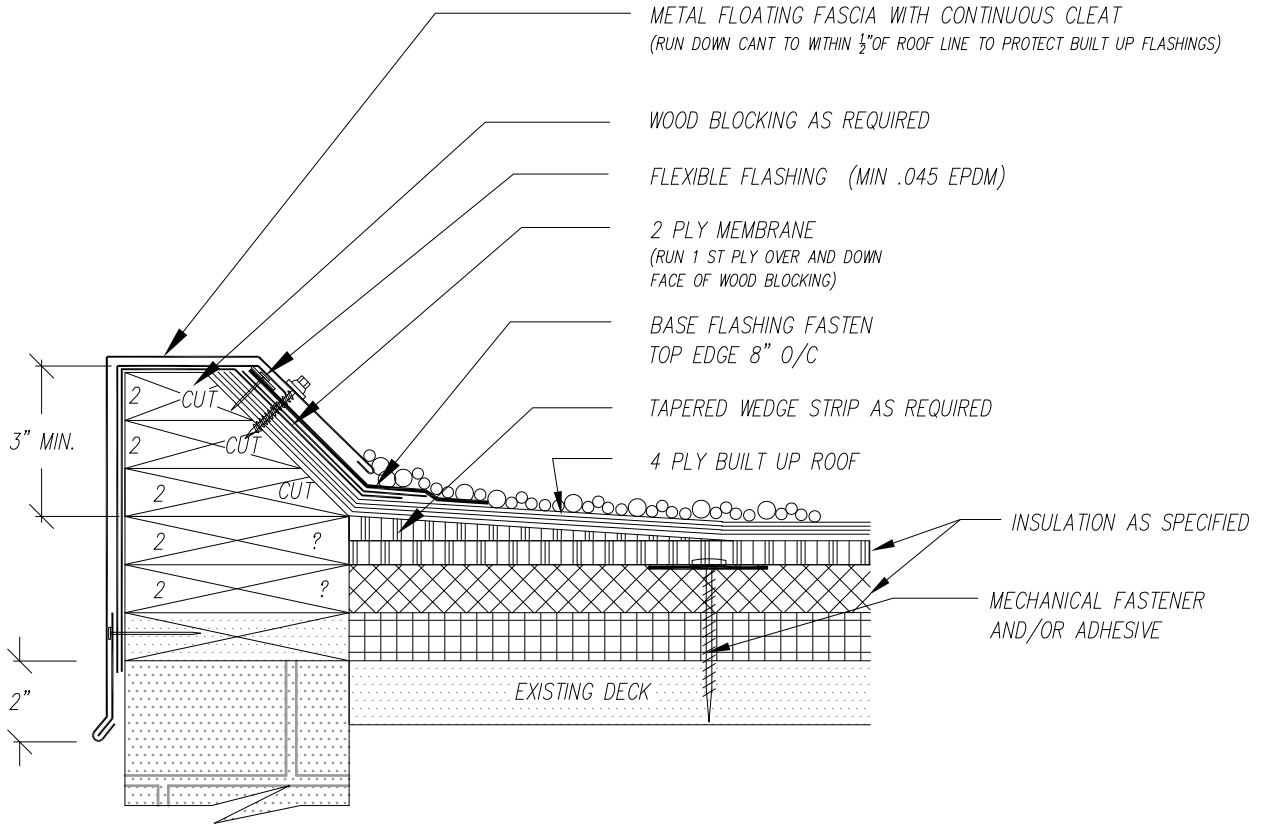
Rev-10/01/2012

Sheet Number  
**A3.5**

Agency / Institution:

**NOTE:**

- 1: AT PERIMETER EDGE CONTRACTOR MUST MAINTAIN AT LEAST A 3" MIN. HEIGHT AT LOWEST LOCATION
- 2: RUN METAL FASCIA DOWN CANT WITHIN 1/2" FROM ROOF LINE TO PROTECT MEMBRANE FLASHINGS



1 FASCIA DETAIL  
A3.6 NO SCALE:

SEE SECTION 07 51 13  
FOR INSTALLATION INSTRUCTIONS

*Pressure Treated Plywood and Lumber: These products shall not be specified or provided for use in roofing projects as a substrate material*



State of Wisconsin  
Department of Administration  
Division of Facilities Development

TYPICAL DFD STANDARD  
BUR CONSTRUCTION DETAIL

Scale	NO
DFD Number	
Set Type	RD.
Date Issued	
Sheet Number	A3.6

Agency / Institution:

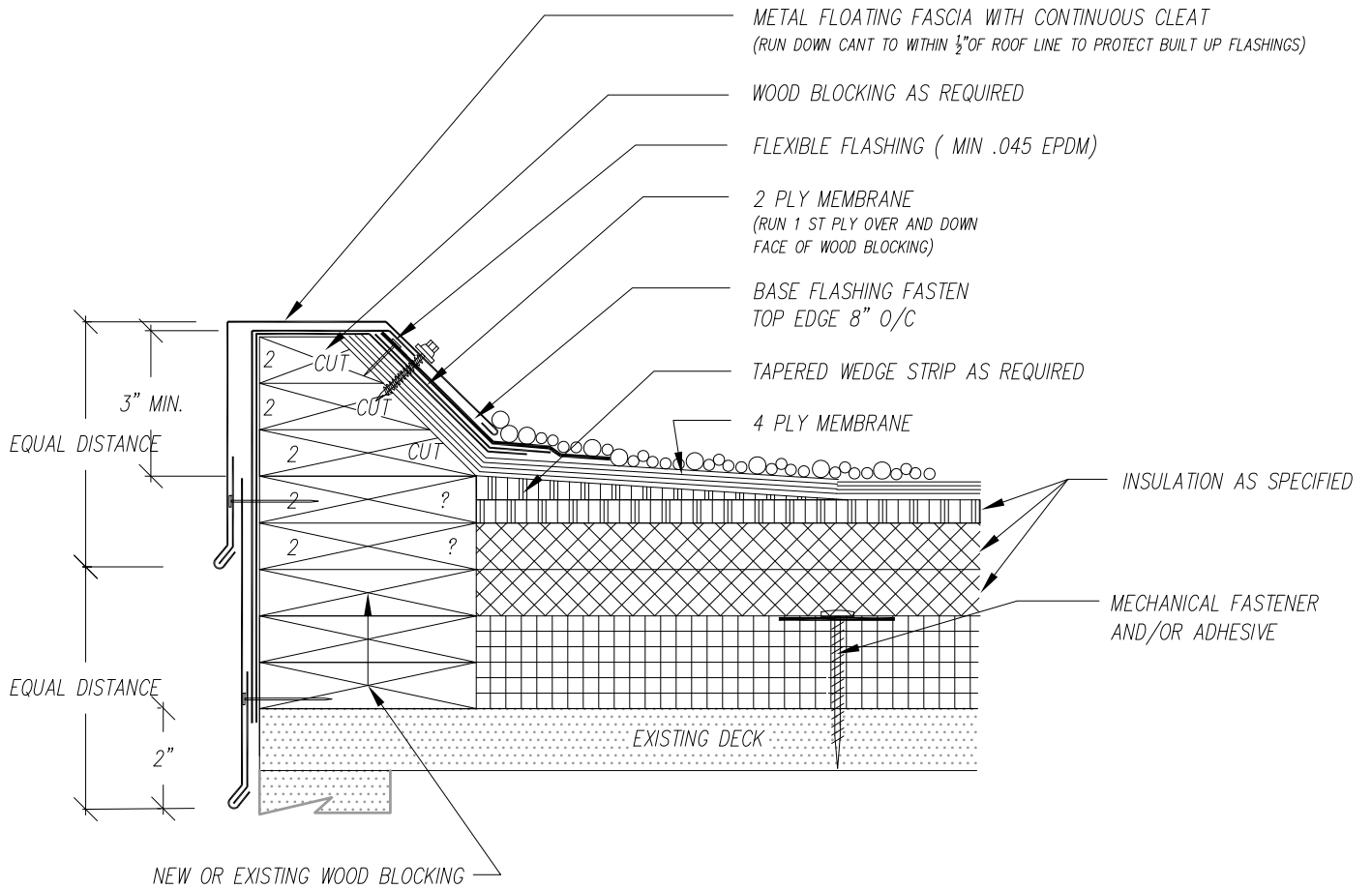
Sheet Title:

FASCIA DETAIL

Rev-10/01/2012

**NOTE:**

- 1: AT PERIMETER EDGE CONTRACTOR MUST MAINTAIN AT LEAST A 3" MIN. HEIGHT AT LOWEST LOCATION
- 2: RUN METAL FASCIA DOWN CANT WITHIN 1/2" FROM ROOF LINE TO PROTECT MEMBRANE FLASHINGS



1  
A3.7

**MULTIPLE FASCIA DETAIL**

NO SCALE:

**SEE SECTION 07 51 13  
FOR INSTALLATION INSTRUCTIONS**

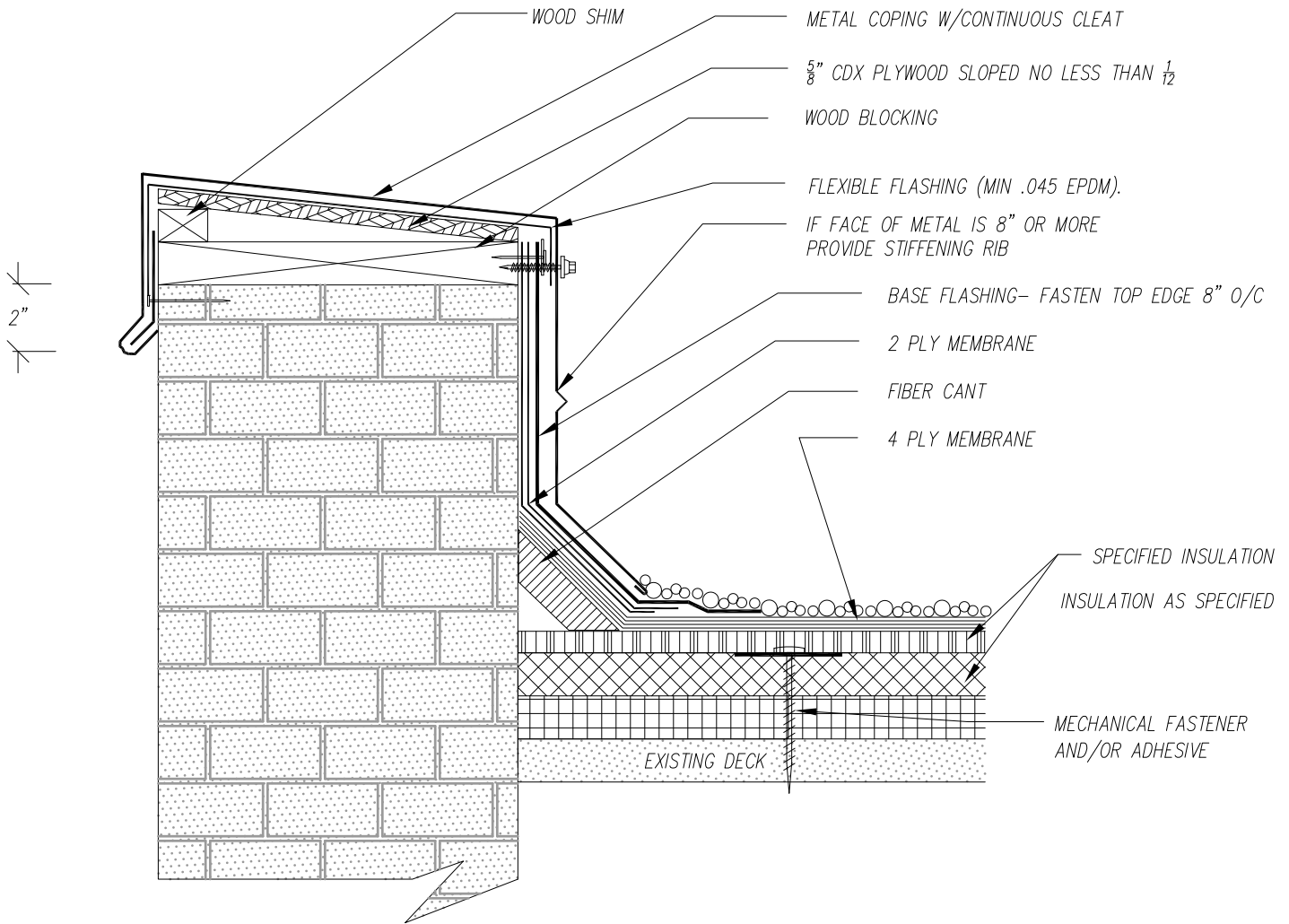
*Pressure Treated Plywood and Lumber: These products shall not be specified or provided for use in roofing projects as a substrate material*

<p>State of Wisconsin Department of Administration Division of Facilities Development</p>	<p>TYPICAL DFD STANDARD BUR CONSTRUCTION DETAIL</p>	Scale	NO
		DFD Number	
Agency / Institution:	Sheet Title:	Set Type	RD.
		Date Issued	
	MULTIPLE FASCIA DETAIL	Rev-10/01/2012	Sheet Number
			<b>A3.7</b>



**NOTE:**

- 1: RUN METAL COPING DOWN INSIDE FACE WITHIN 1/2" FROM ROOF LINE TO PROTECT MEMBRANE FLASHINGS
- 2: IF OVER 8" ADD STIFFENING RIB COUNTER FLASHING




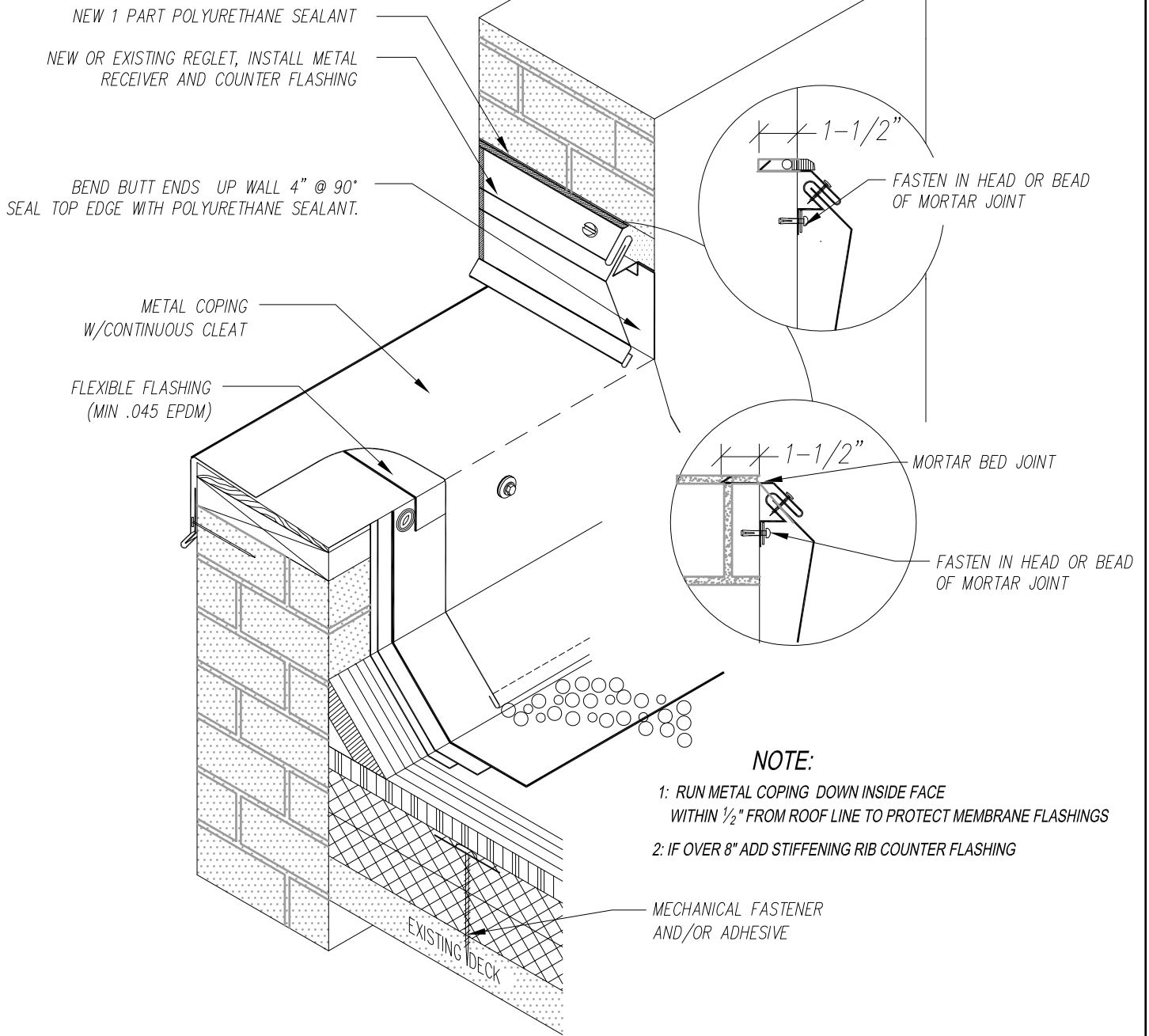
1  
A3.8

**COPING DETAIL**  
NO SCALE:

**SEE SECTION 07 51 13  
FOR INSTALLATION INSTRUCTIONS**

*Pressure Treated Plywood and Lumber: These products shall not be specified or provided for use in roofing projects as a substrate material*

 <p>State of Wisconsin Department of Administration Division of Facilities Development</p>	<p>TYPICAL DFD STANDARD BUR CONSTRUCTION DETAIL</p>	Scale	NO
		DFD Number	
Agency / Institution:	Sheet Title:	Set Type	RD.
	COPING DETAIL	Date Issued	
	Rev-10/01/2012	Sheet Number	<b>A3.8</b>



1  
A3.9

BUTT END @ COPING DETAIL

NO SCALE:

SEE SECTION 07 51 13  
FOR INSTALLATION INSTRUCTIONS

*Pressure Treated Plywood and Lumber: These products shall not be specified or provided for use in roofing projects as a substrate material*



State of Wisconsin  
Department of Administration  
Division of Facilities Development

Agency / Institution:

TYPICAL DFD STANDARD  
BUR CONSTRUCTION DETAIL

Sheet Title:

COPING @ BUTT END DETAIL Rev-10/01/2012

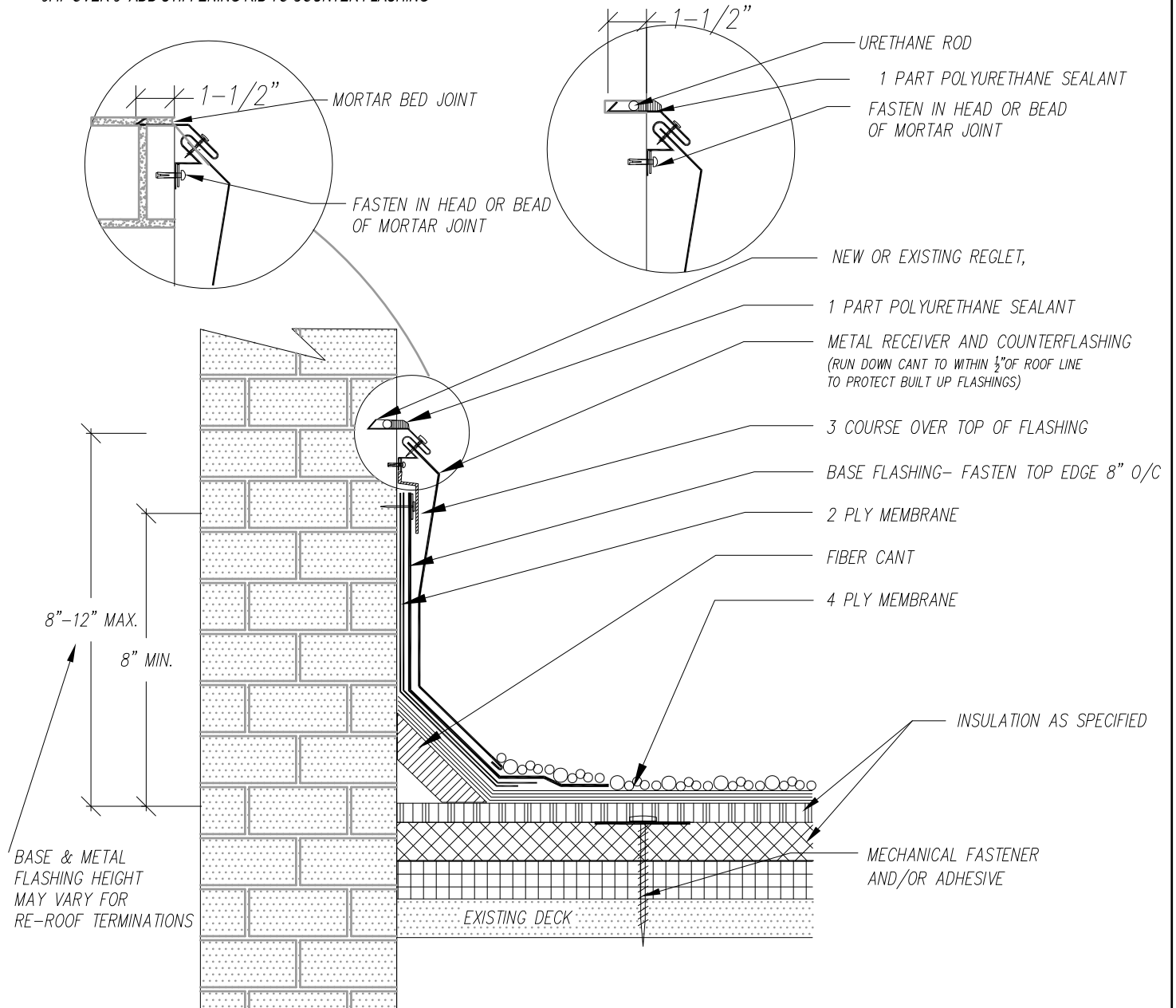
Scale NO

DFD Number  
Set Type RD.  
Date Issued

Sheet Number A3.9

**NOTE:**

- 1: CONTRACTOR MAY HAVE TO CUT NEW REGLET AS REQUIRED TO ACHIEVE A 8" MIN. FLASHING HEIGHT
- 2: RUN METAL COUNTER FLASHING DOWN INSIDE FACE WITHIN 1/2" FROM ROOF LINE TO PROTECT MEMBRANE FLASHINGS
- 3: IF OVER 8" ADD STIFFENING RIB TO COUNTER FLASHING



1  
A3.10

REGLET & 2 PC. COUNTERFLASHING DETAIL

NO SCALE:

SEE SECTION 07 51 13  
FOR INSTALLATION INSTRUCTIONS



State of Wisconsin  
Department of Administration  
Division of Facilities Development

TYPICAL DFD STANDARD  
BUR CONSTRUCTION DETAIL

Scale	NO
DFD Number	
Set Type	RD.
Date Issued	

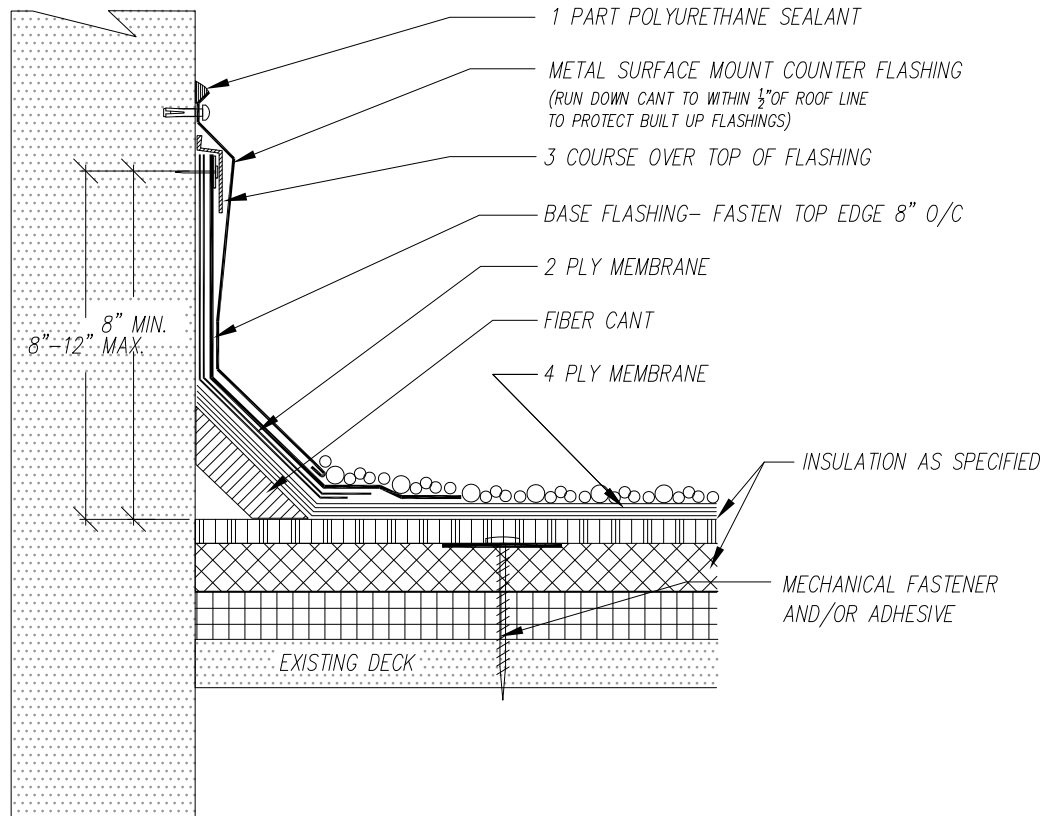
Sheet Title:  
REGLET & 2 PC. C/F DETAIL DETAIL Rev-10/01/2012

Sheet Number  
**A3.10**

Agency / Institution:

**NOTE:**

- 1: RUN METAL COUNTER FLASHING DOWN INSIDE FACE WITHIN 1/2" FROM ROOF LINE TO PROTECT MEMBRANE FLASHINGS
- 2: IF OVER 8" ADD STIFFENING RIB TO COUNTER FLASHING



1  
A3.11

*SURFACE MOUNT COUNTERFLASHING DETAIL*

NO SCALE:

SEE SECTION 07 51 13  
FOR INSTALLATION INSTRUCTIONS



State of Wisconsin  
Department of Administration  
Division of Facilities Development

TYPICAL DFD STANDARD  
BUR CONSTRUCTION DETAIL

Scale NO

DFD Number  
Set Type RD.  
Date Issued

Agency / Institution:

Sheet Title:

*SURFACE MOUNT C/F. DETAIL*

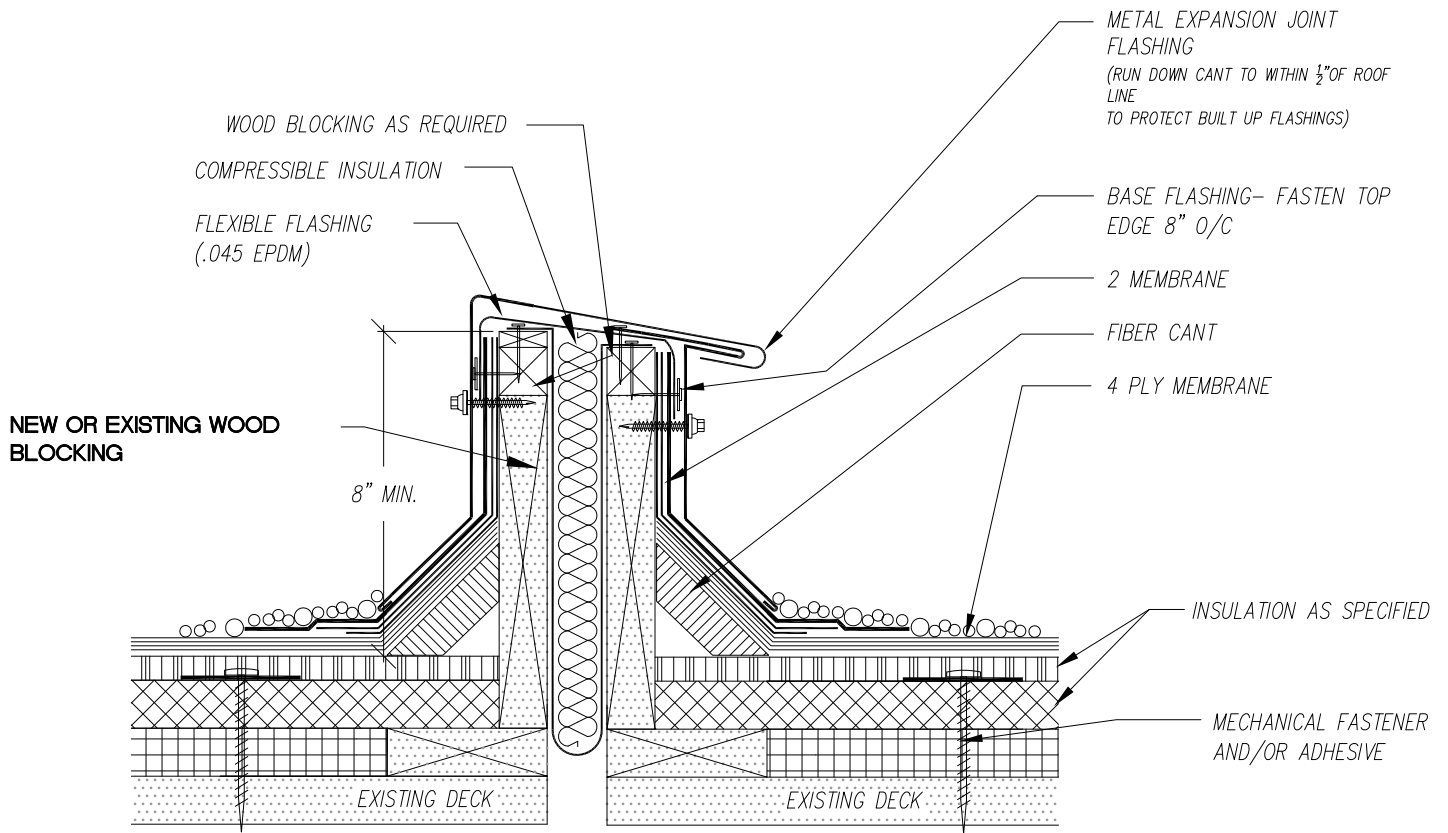
Rev-10/01/2012

Sheet Number

**A3.11**

**NOTE:**

- 1: RUN METAL COUNTER FLASHING DOWN INSIDE FACE WITHIN 1/2" FROM ROOF LINE TO PROTECT MEMBRANE FLASHINGS
- 2: IF OVER 8" ADD STIFFENING RIB TO COUNTER FLASHING




1  
A3.12

**EXPANSION JOINT DETAIL**

NO SCALE:

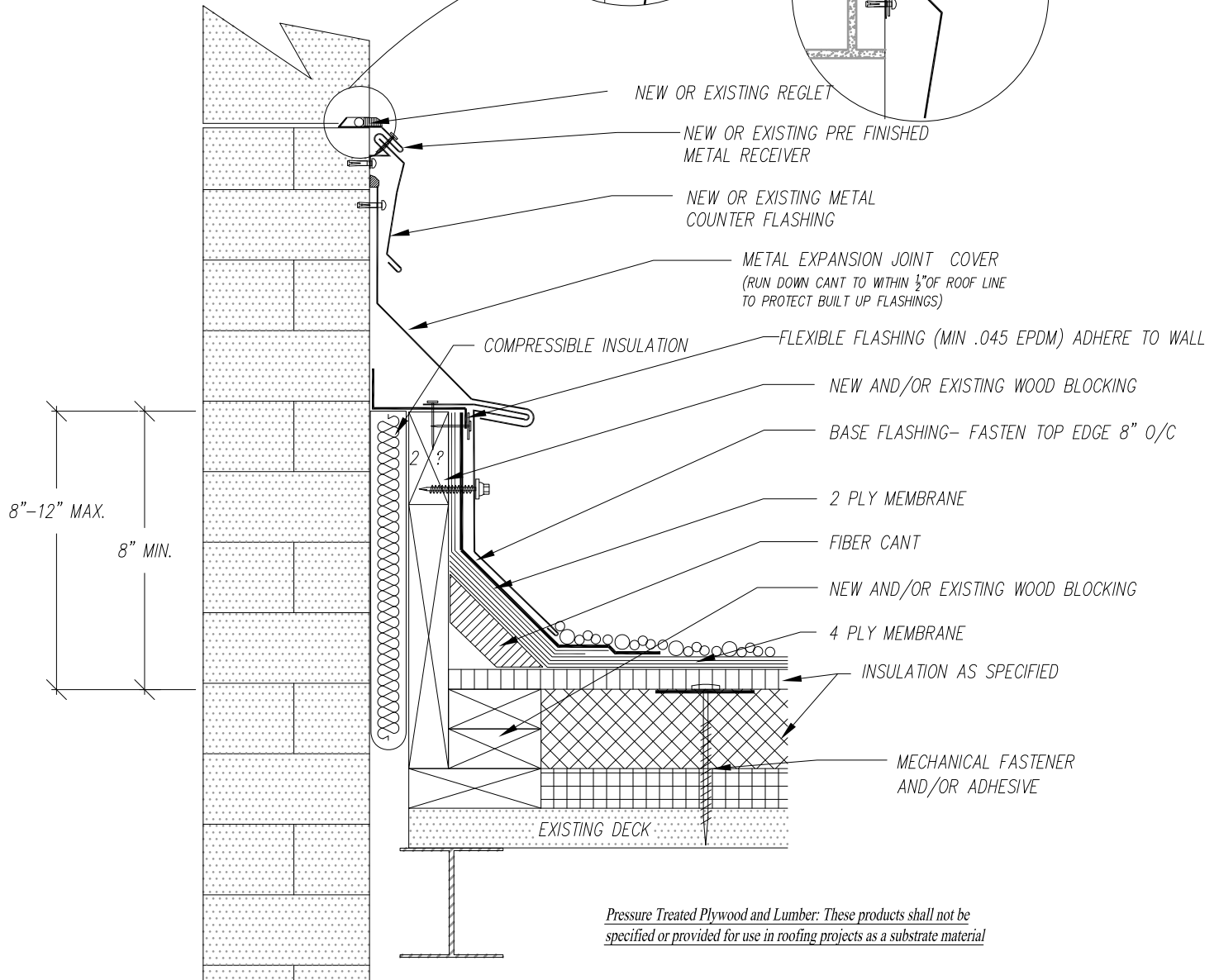
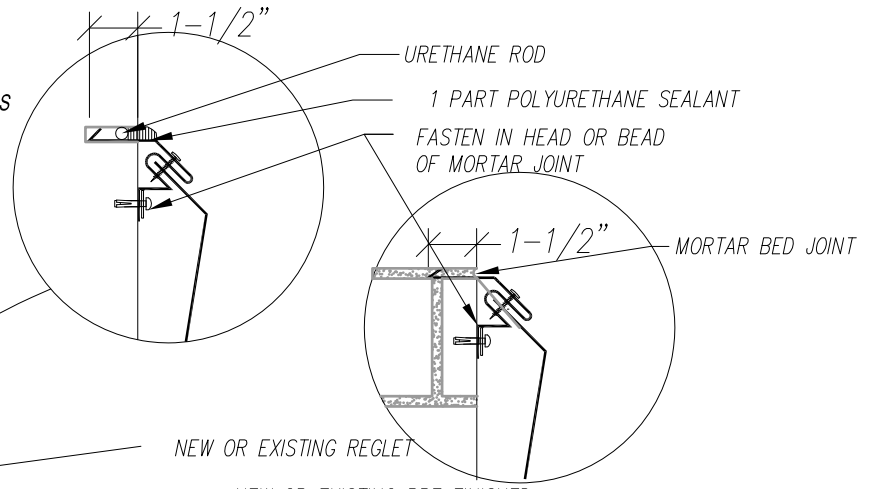
**SEE SECTION 07 51 13  
FOR INSTALLATION INSTRUCTIONS**

*Pressure Treated Plywood and Lumber: These products shall not be specified or provided for use in roofing projects as a substrate material*

 <p><b>State of Wisconsin Department of Administration Division of Facilities Development</b></p>	<p><b>TYPICAL DFD STANDARD BUR CONSTRUCTION DETAIL</b></p>	Scale	NO
		DFD Number	
Agency / Institution:	Sheet Title:	Set	RD.
		Type	
		Date Issued	
	EXP. JT. DETAIL	Rev-10/01/2012	Sheet Number <b>A3.12</b>

**NOTE:**

- 1: RUN METAL COUNTER FLASHING DOWN INSIDE FACE WITHIN 1/2" FROM ROOF LINE TO PROTECT MEMBRANE FLASHINGS
- 2: IF OVER 8" ADD STIFFENING RIB TO COUNTER FLASHING
- 3: CONTRACTOR MAY HAVE TO CUT OUT EXISTING INSULATION TO INSTALL WOOD BLOCKING.
- 4: CONTRACTOR MAY USE EXISTING WOOD CONSTRUCTION IF IN SOUND CONDITION



*Pressure Treated Plywood and Lumber: These products shall not be specified or provided for use in roofing projects as a substrate material*

1  
A3.13

**WALL EXP. JOINT DETAIL**

NO SCALE:

**SEE SECTION 07 51 13  
FOR INSTALLATION INSTRUCTIONS**



**State of Wisconsin  
Department of Administration  
Division of Facilities Development**

**TYPICAL DFD STANDARD  
BUR CONSTRUCTION DETAIL**

Scale	NO
DFD Number	
Set Type	RD.
Date Issued	

Sheet Title:

WALL EXP. JT. DETAIL

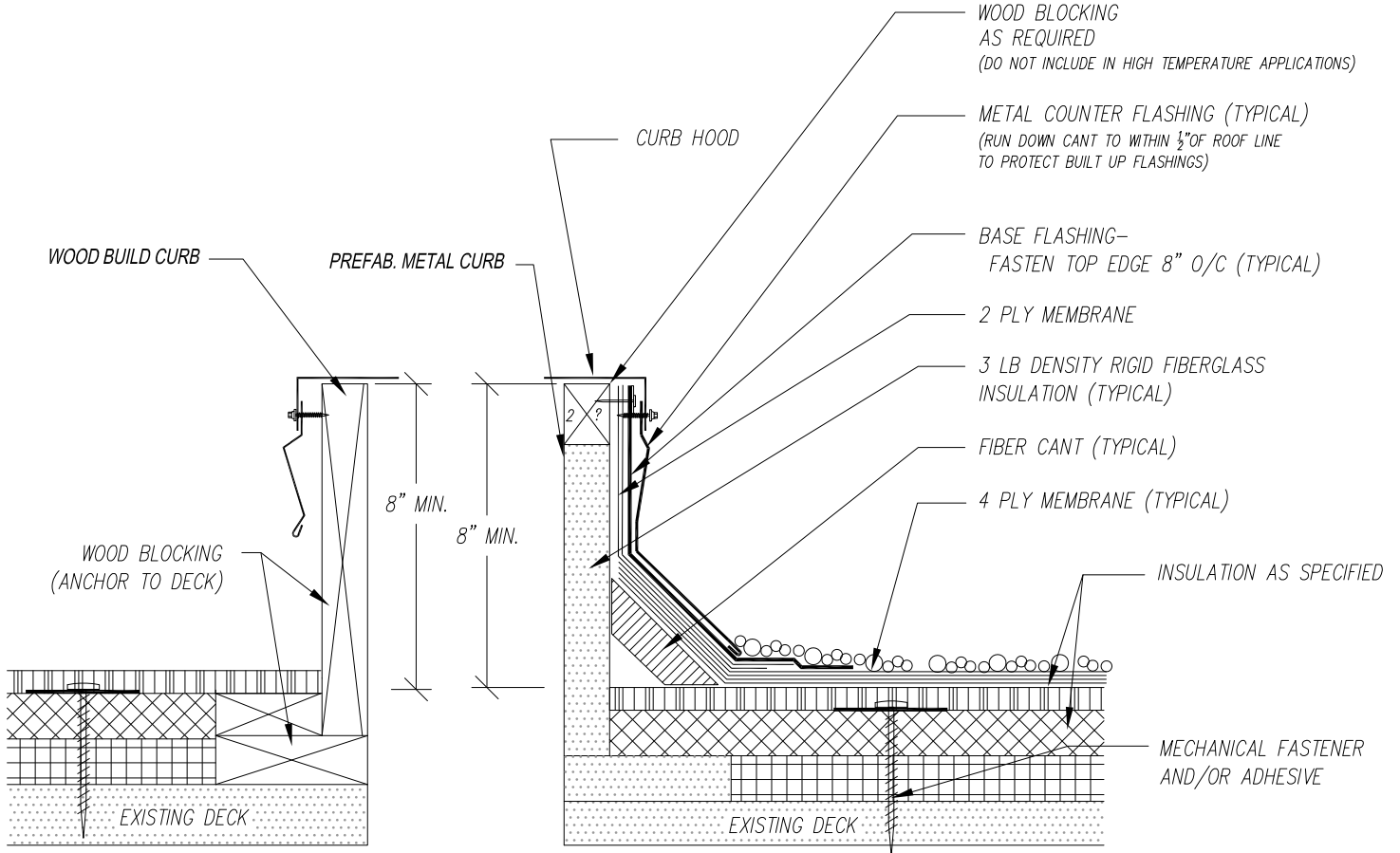
Rev-10/01/2012

Sheet Number **A3.13**

Agency / Institution:

**NOTE:**

- 1: CONTRACTOR TO RAISE ALL EXISTING UNITS / CURBS IF NEEDED TO MAINTAIN AN 8" MIN. FINISHED FLASHING HEIGHT.
- 2: PROVIDE TAPERED SADDLES BEHIND CURBS.
- 3: RUN METAL COUNTER FLASHING DOWN INSIDE FACE WITHIN 1/2" FROM ROOF LINE TO PROTECT MEMBRANE FLASHINGS




1  
A3.14

ROOF CURB DETAIL

NO SCALE:

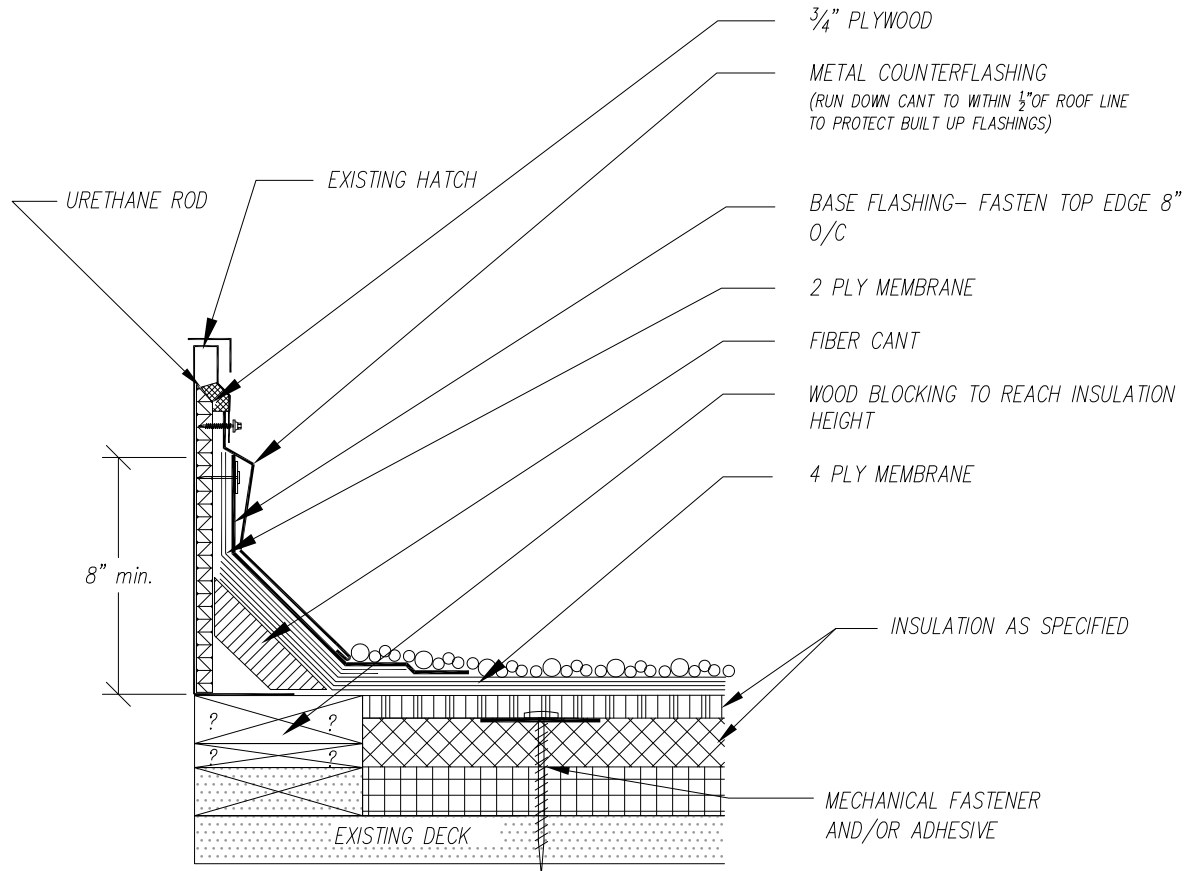
SEE SECTION 07 51 13  
FOR INSTALLATION INSTRUCTIONS

*Pressure Treated Plywood and Lumber: These products shall not be specified or provided for use in roofing projects as a substrate material*

 <p>State of Wisconsin Department of Administration Division of Facilities Development</p>	<p>TYPICAL DFD STANDARD BUR CONSTRUCTION DETAIL</p>	Scale	NO
		DFD Number	
		Set Type	RD.
		Date Issued	
Agency / Institution:	Sheet Title:	Sheet Number	A3.14
	ROOF CURB DETAIL Rev-10/01/2012		

**NOTE:**

- 1: CONTRACTOR TO RAISE ALL EXISTING UNITS / CURBS IF NEEDED TO MAINTAIN AN 8" MIN. FINISHED FLASHING HEIGHT.
- 2: PROVIDE TAPERED SADDLES BEHIND CURBS.
- 3: RUN METAL COUNTER FLASHING DOWN INSIDE FACE WITHIN 1/2" FROM ROOF LINE TO PROTECT MEMBRANE FLASHINGS



1  
A3.15

**ROOF HATCH DETAIL**

NO SCALE:

**SEE SECTION 07 51 13  
FOR INSTALLATION INSTRUCTIONS**

*Pressure Treated Plywood and Lumber: These products shall not be specified or provided for use in roofing projects as a substrate material*



**State of Wisconsin  
Department of Administration  
Division of Facilities Development**

**TYPICAL DFD STANDARD  
BUR CONSTRUCTION DETAIL**

Scale	NO
DFD Number	
Set Type	RD.
Date Issued	

Agency / Institution:

Sheet Title:

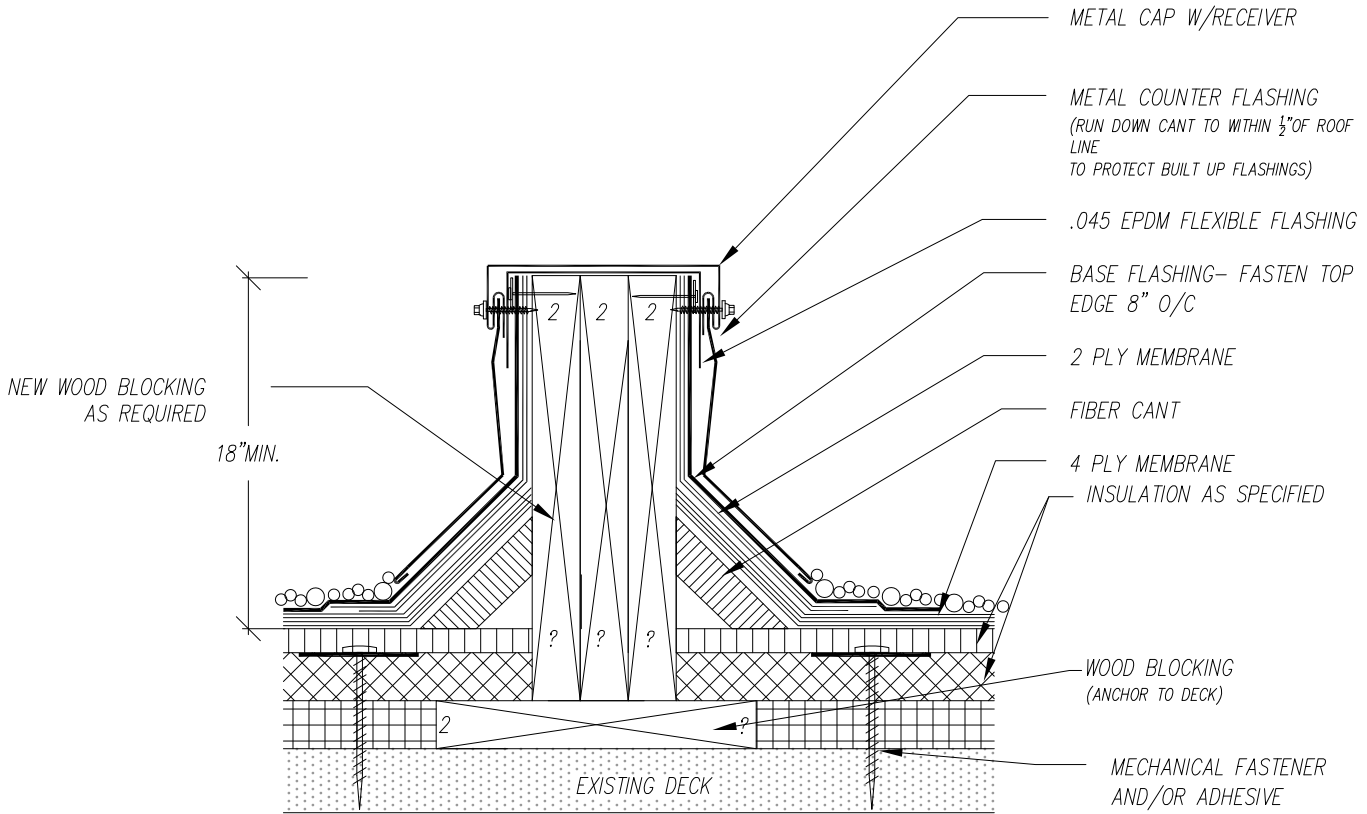
ROOF HATCH DETAIL Rev-10/01/2012

Sheet Number **A3.15**




**NOTE:**

- 1: UNITS / CURBS SHALL BE PROVIDED TO MAINTAIN A 8" MIN. FINISHED FLASHING HEIGHT.
- 2: PROVIDE TAPERED SADDLES BEHIND CURBS.
- 3: PROVIDE METAL COUNTER FLASHING AT ALL CURBS ETC.
- 4: RUN METAL COUNTER FLASHING DOWN INSIDE FACE WITHIN 1/2" FROM ROOF LINE TO PROTECT MEMBRANE FLASHINGS



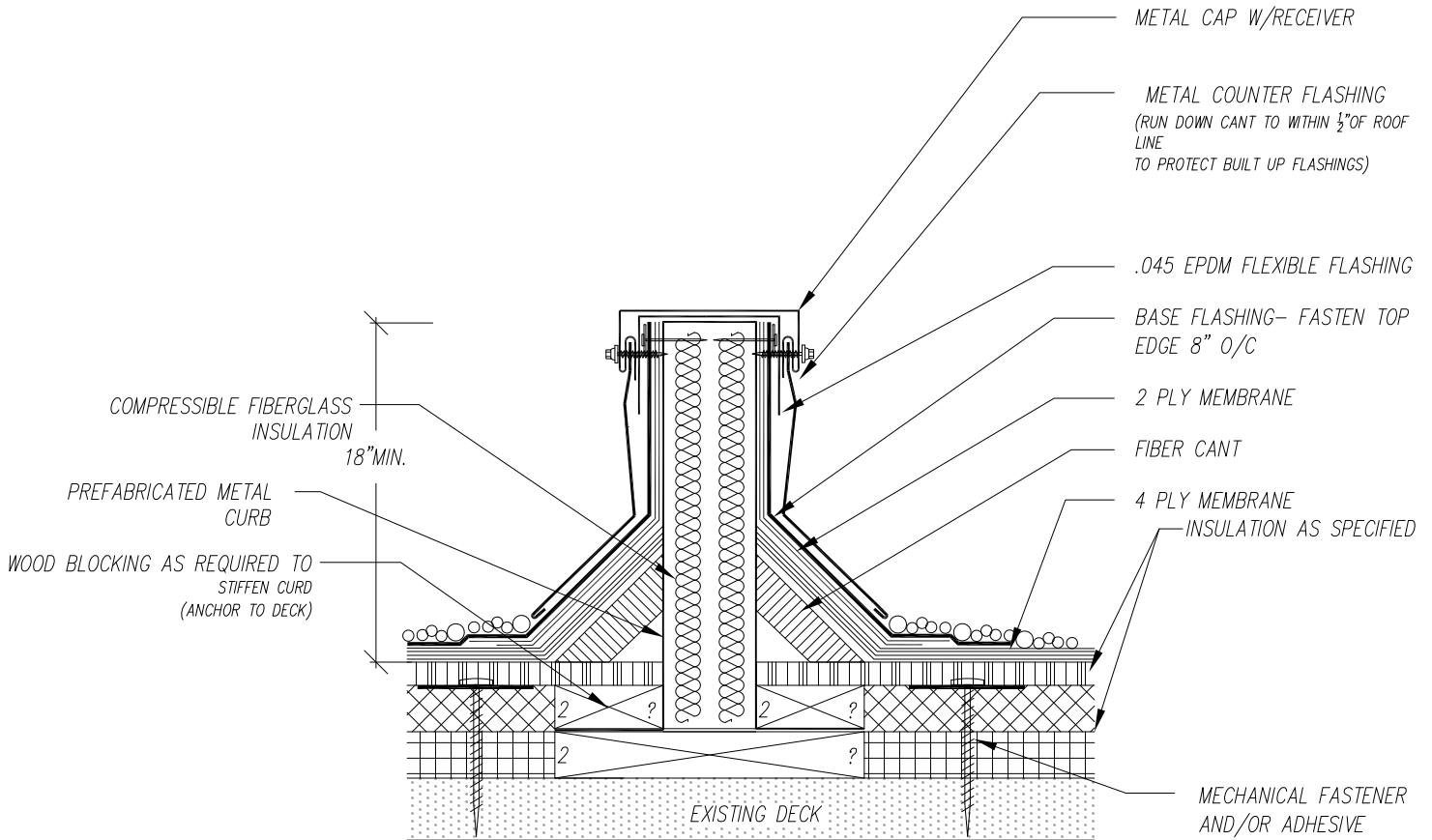
1 **WOOD BUILD SLEEPER CURB DETAIL**  
 A3.16 NO SCALE: SEE SECTION 07 51 13 FOR INSTALLATION INSTRUCTIONS

*Pressure Treated Plywood and Lumber: These products shall not be specified or provided for use in roofing projects as a substrate material*

 <p><b>State of Wisconsin</b>          Department of Administration          Division of Facilities Development</p>	<p><b>TYPICAL DFD STANDARD</b>  <b>BUR CONSTRUCTION DETAIL</b></p>	Scale	NO
		DFD Number	
Agency / Institution:	Sheet Title:	Set Type	RD.
	SLEEPER CURB DETAIL	Date Issued	
	Rev-10/01/2012	Sheet Number	<b>A3.16</b>

**NOTE:**

- 1: UNITS / CURBS SHALL BE PROVIDED TO MAINTAIN A 8" MIN. FINISHED FLASHING HEIGHT.
- 2: PROVIDE TAPERED SADDLES BEHIND CURBS.
- 3: PROVIDE METAL COUNTER FLASHING AT ALL CURBS ETC.
- 4: RUN METAL COUNTER FLASHING DOWN CANT WITHIN 1/2" FROM ROOF LINE



1  
A3.17

PREFAB. METAL SLEEPER CURB DETAIL

NO SCALE:

SEE SECTION 07 51 13  
FOR INSTALLATION INSTRUCTIONS

Pressure Treated Plywood and Lumber: These products shall not be specified or provided for use in roofing projects as a substrate material



State of Wisconsin  
Department of Administration  
Division of Facilities Development

Agency / Institution:

TYPICAL DFD STANDARD  
BUR CONSTRUCTION DETAIL

Sheet Title:

METAL CURD DETAIL

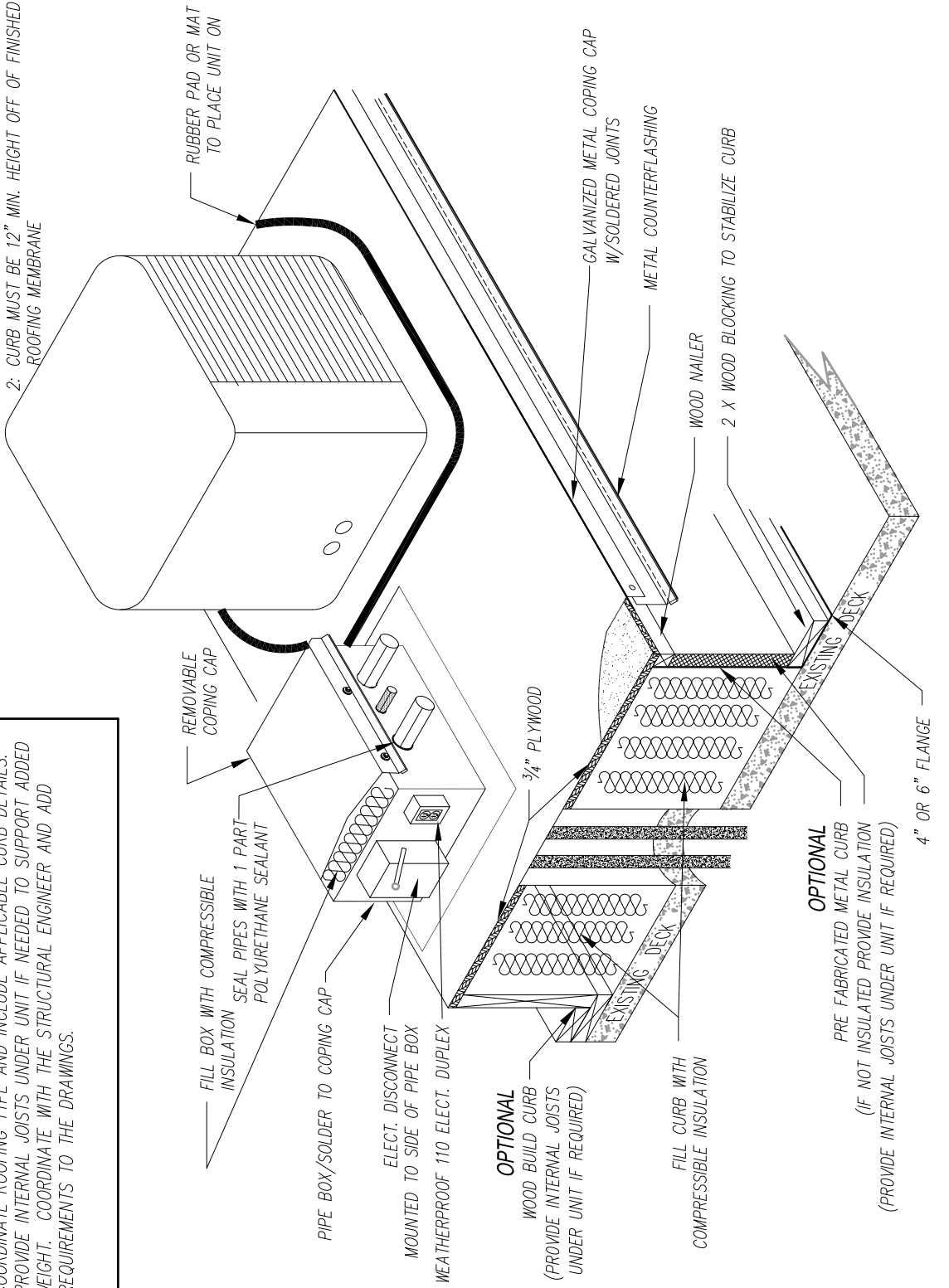
Rev-10/01/2012

Scale	NO
DFD Number	
Set Type	RD.
Date Issued	
Sheet Number	<b>A3.17</b>

**NOTE:**

- 1: PROVIDE INTERNAL JOISTS UNDER UNIT IF NEEDED TO SUPPORT ADDED WEIGHT
- 2: CURB MUST BE 12" MIN. HEIGHT OFF OF FINISHED ROOFING MEMBRANE


**NOTES TO SPECIFIER:**  
 COORDINATE ROOFING TYPE AND INCLUDE APPLICABLE CURB DETAILS. PROVIDE INTERNAL JOISTS UNDER UNIT IF NEEDED TO SUPPORT ADDED WEIGHT. COORDINATE WITH THE STRUCTURAL ENGINEER AND ADD REQUIREMENTS TO THE DRAWINGS.



1  
A3.18

EQUIPMENT SUPPORT W/PIPE CHASE DETAIL  
NO SCALE:

*Pressure Treated Plywood and Lumber: These products shall not be specified or provided for use in roofing projects as a substrate material*

 State of Wisconsin  
 Department of Administration  
 Division of Facilities Development

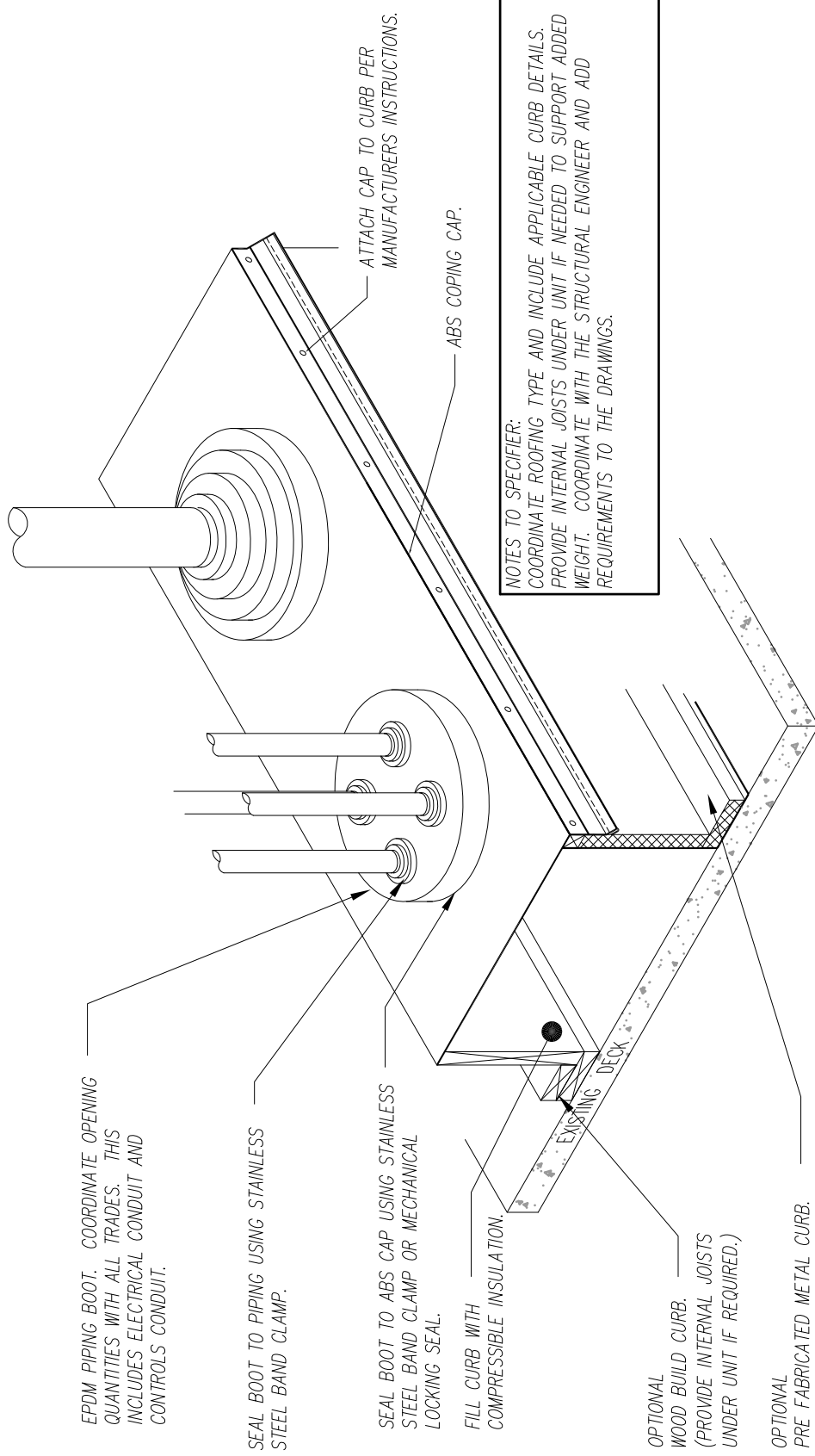
TYPICAL DFD STANDARD  
 BUR CONSTRUCTION DETAIL

Scale	NO
DFD Number	
Set Type	RD.
Date Issued	

Agency / Institution:


Sheet Title:  
 EQUIP. SUPPORT DETAIL Rev-10/01/2012

Sheet Number  
**A3.18**



1 MULTIPLE PIPE PENETRATIONS THRU ROOF DETAIL  
 A3.19 NO SCALE: REVISED 9/3/10

*Pressure Treated Plywood and Lumber: These products shall not be specified or provided for use in roofing projects as a substrate material*



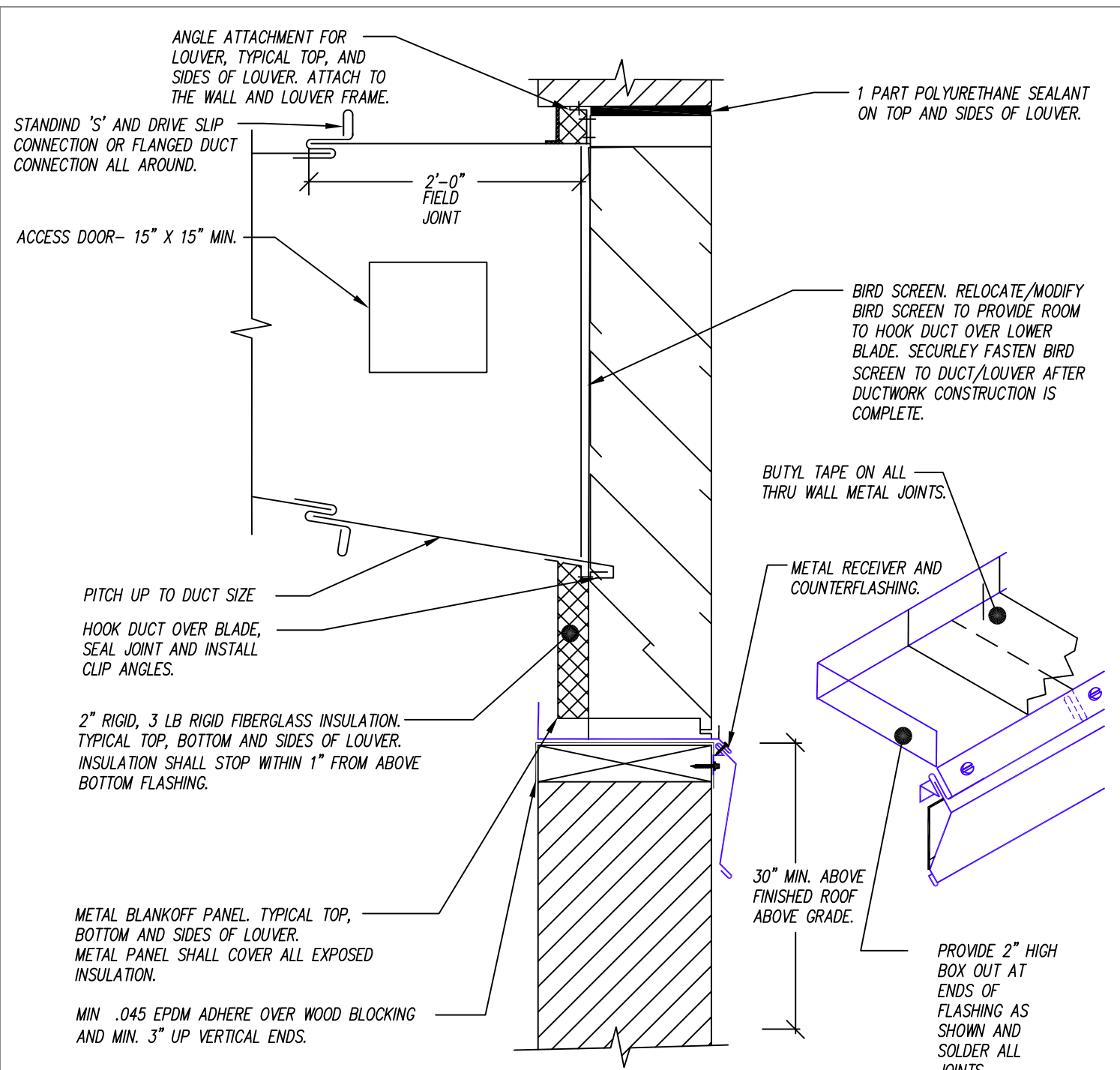
**State of Wisconsin**  
**Department of Administration**  
**Division of Facilities Development**

Agency / Institution:

**TYPICAL DFD STANDARD**  
**BUR CONSTRUCTION DETAIL**

Sheet Title:  
 MULTIPLE PIPE SUPPORT Rev-10/01/2012

Scale	NO
DFD Number	
Set Type	RD.
Date Issued	
Sheet Number	<b>A3.19</b>



1  
A3.20


# LOUVER INSTALLATION DETAIL

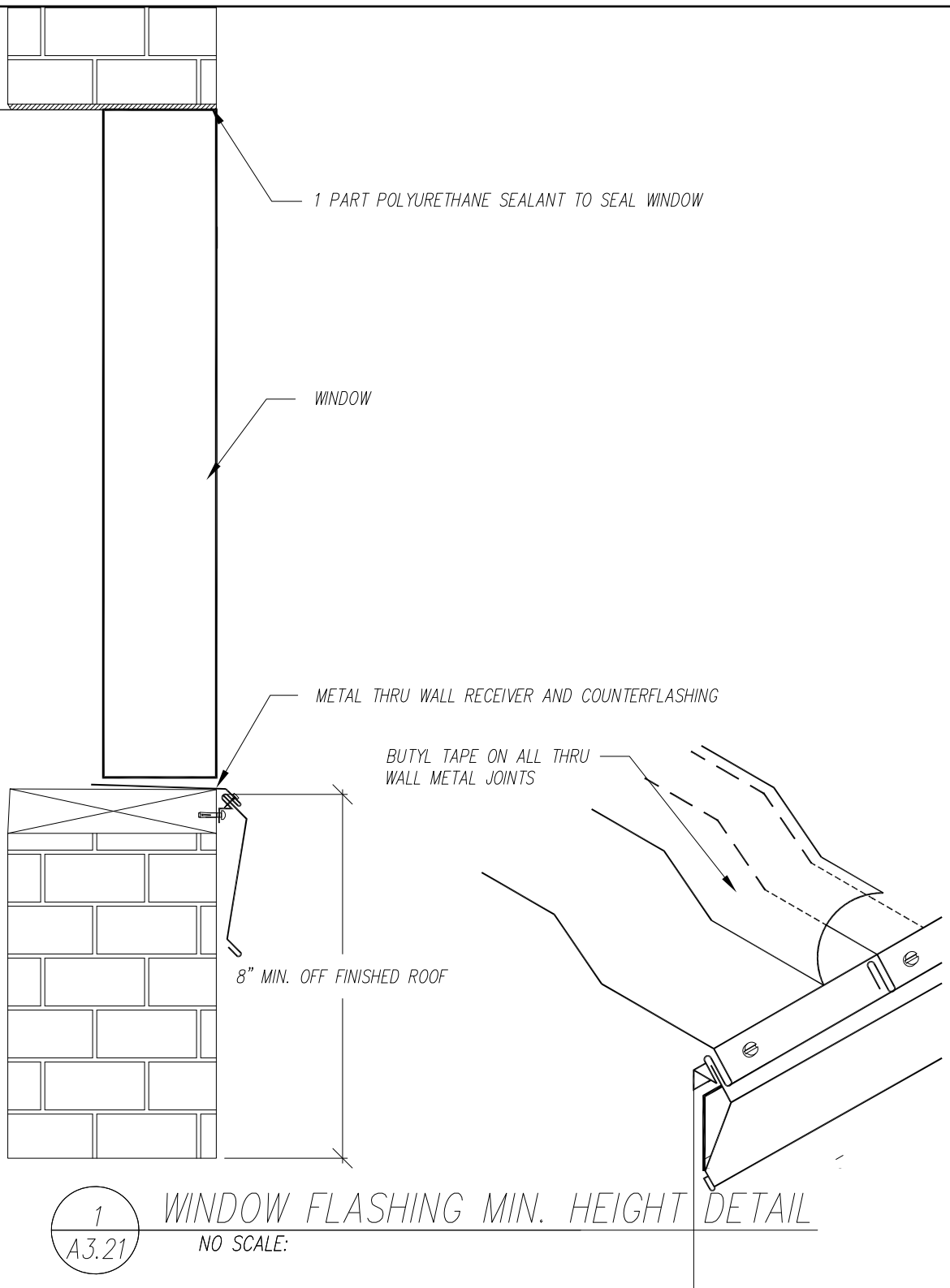
NO SCALE:

**NOTES:**

1: SEAL ALL DUCT JOINTS, CORNERS AND SEAMS WATERTIGHT USING SEALANT AND OR SOLDERING. REFER TO SPECIFICATION SECTION 23 31 00 FOR ACCEPTABLE SEALANTS TO BE UTILIZED IN DUCT SYSTEMS

**NOTES TO SPECIFIER:**  
COORDINATE ACCESS DOOR SIZES AND LOCATIONS FOR EACH INDIVIDUAL PROJECT. THE SIZE LISTED IS A MINIMUM SIZE INTENDED TO BE USED FOR SMALLER SIZE LOUVERS/DUCTS AND SHOULD NOT BE UTILIZED FOR ALL DESIGNS.

 <p><b>State of Wisconsin</b> <b>Department of Administration</b> <b>Division of Facilities Development</b></p>	<p><b>TYPICAL DFD STANDARD</b> <b>BUR CONSTRUCTION DETAIL</b></p>	Scale	NO
		DFD Number	
		Set Type	RD.
Agency / Institution:	Sheet Title:	Date Issued	
	LOUVER INSTALLATION DETAIL	Rev-10/01/2012	Sheet Number
			<b>A3.20</b>



State of Wisconsin  
 Department of Administration  
 Division of Facilities Development

TYPICAL DFD STANDARD  
 BUR CONSTRUCTION DETAIL

Scale	NO
DFD Number	
Set Type	RD.
Date Issued	

Agency / Institution:

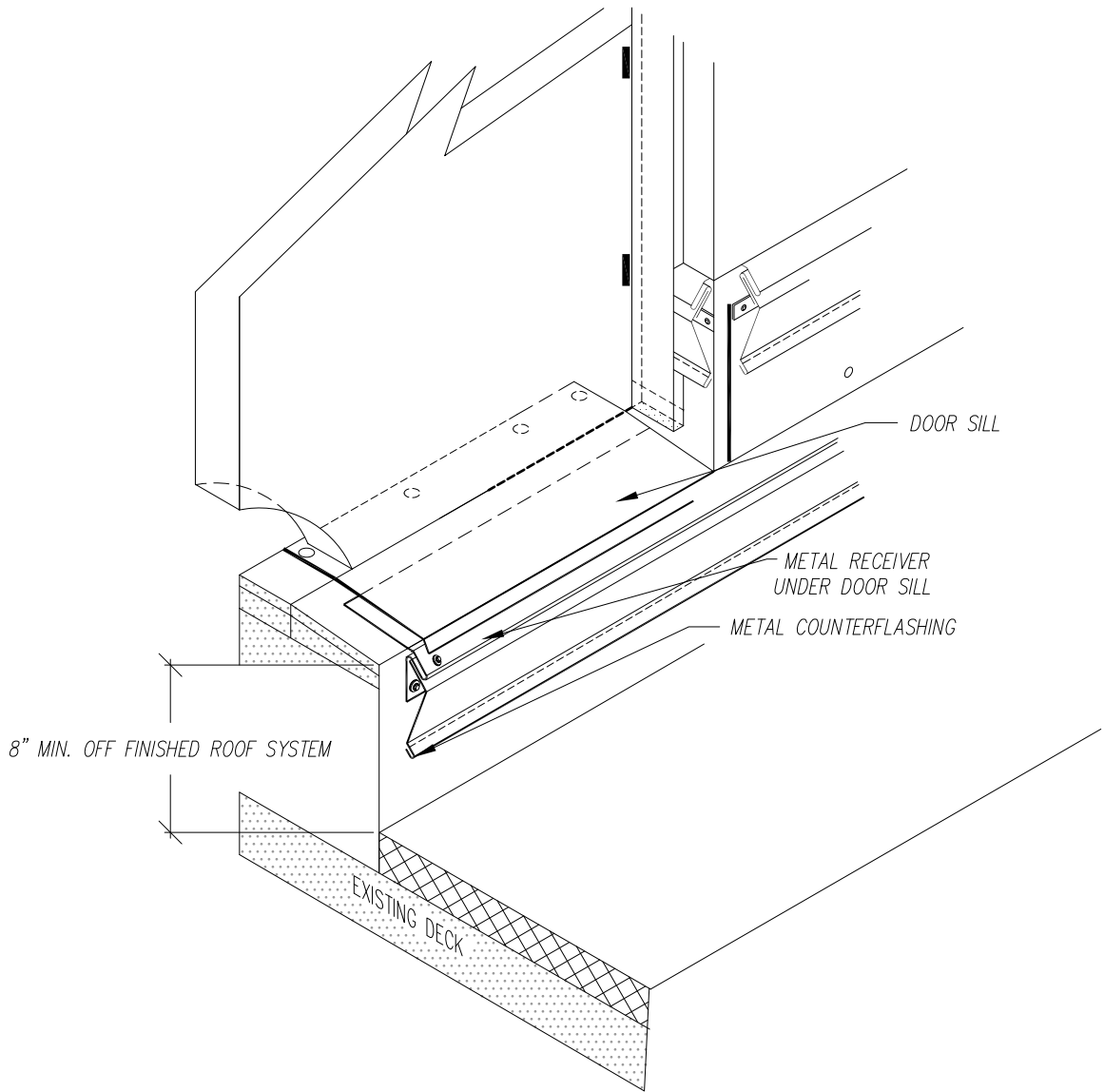
Sheet Title:

WINDOW FLASHING DETAIL

Rev-10/01/2012

Sheet Number

A3.21



1  
A3.22

*DOOR FLASHING MIN. HEIGHT DETAIL*

NO SCALE:



State of Wisconsin  
Department of Administration  
Division of Facilities Development

TYPICAL DFD STANDARD  
BUR CONSTRUCTION DETAIL

Scale NO

DFD Number  
Set Type RD.  
Date Issued

Agency / Institution:

Sheet Title:

DOOR FLASHING DETAIL

Rev-10/01/2012

Sheet Number

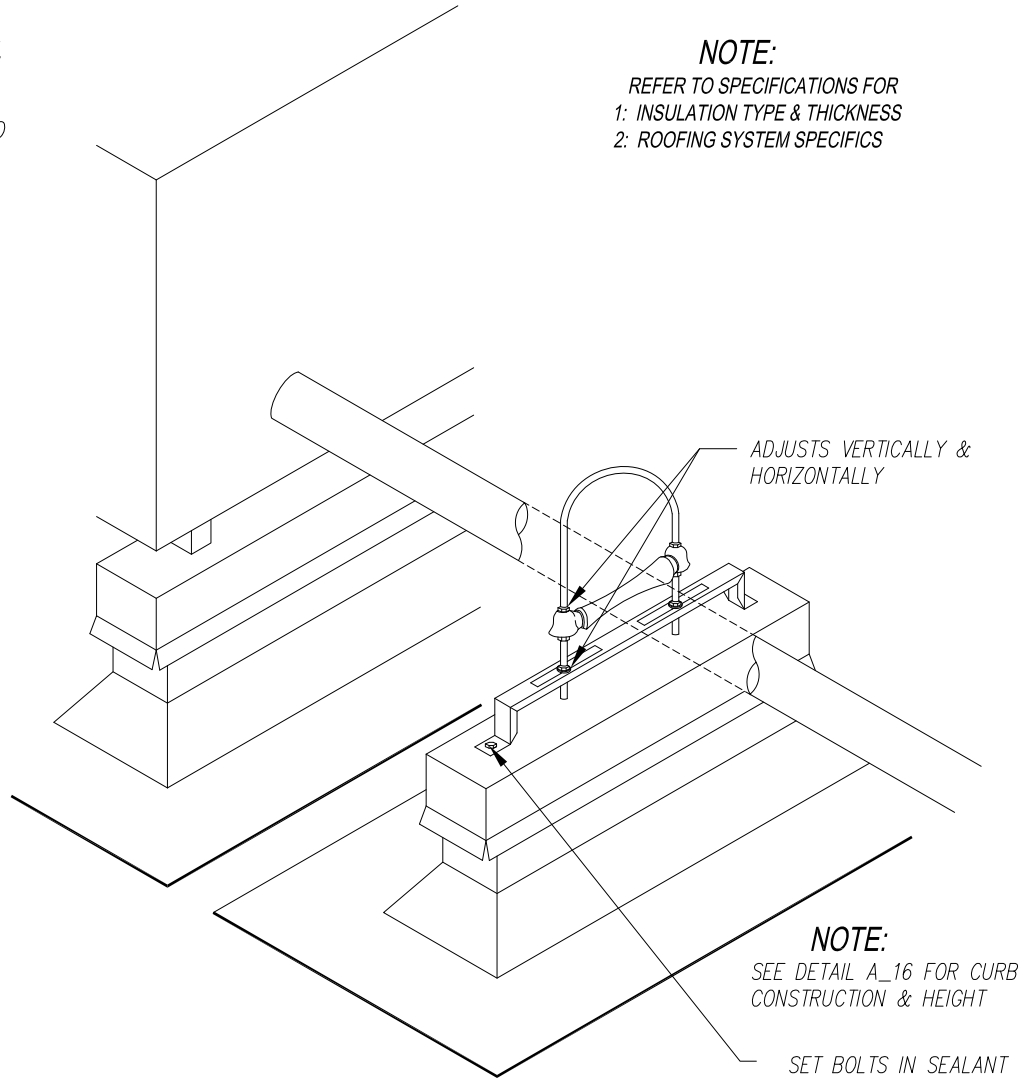
**A3.22**

**NOTE:**

- 1: THESE DRAWINGS ARE FOR INFORMATIONAL PURPOSES ONLY, CONSTRUCTION MAY VARY FOR DIFFERENT APPLICATIONS
- 2: SEE TABLE BELOW FOR REQUIRED HEIGHTS & WIDTHS

**NOTE:**

- REFER TO SPECIFICATIONS FOR
- 1: INSULATION TYPE & THICKNESS
- 2: ROOFING SYSTEM SPECIFICS



WIDTH OF EQUIPMENT	OFF FINISHED ROOF
UP TO 36"	18"
37" AND UP	36"

1  
A3.23

WOOD BUILD PIPE SUPPORT DETAIL

NO SCALE:



State of Wisconsin  
Department of Administration  
Division of Facilities Development

TYPICAL DFD STANDARD  
BUR CONSTRUCTION DETAIL

Scale NO

DFD Number  
Set Type RD.  
Date Issued

Agency / Institution:

Sheet Title:

PIPE SUPPORT DETAIL

Rev-10/01/2012

Sheet Number

A3.23

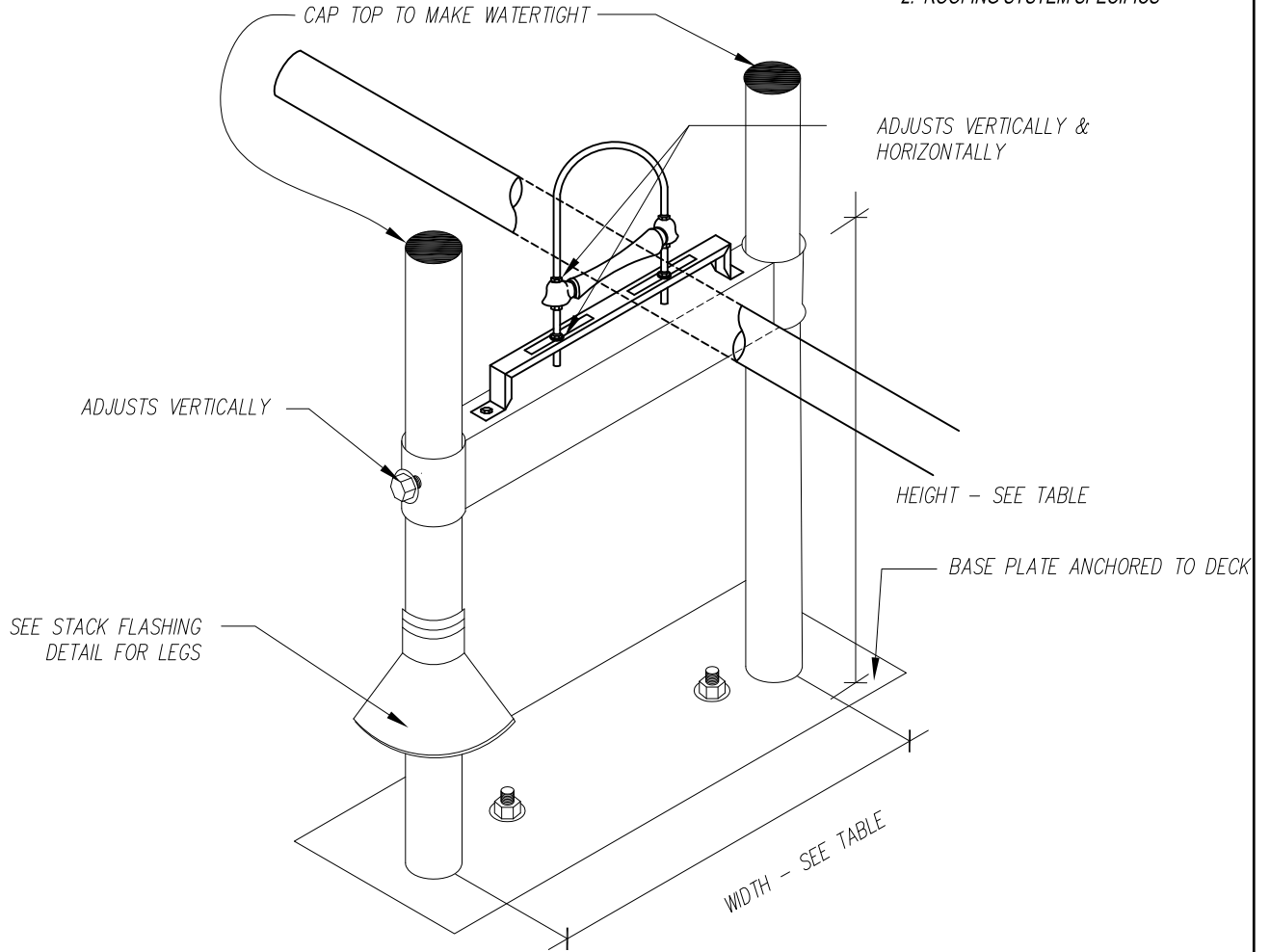


**NOTE:**

- 1: THESE DRAWINGS ARE FOR INFORMATIONAL PURPOSES ONLY, CONSTRUCTION MAY VARY FOR DIFFERENT APPLICATIONS
- 2: SEE TABLE BELOW FOR REQUIRED HEIGHTS & WIDTHS

**NOTE:**

- 1: INSULATION TYPE & THICKNESS
- 2: ROOFING SYSTEM SPECIFICS



WIDTH OF EQUIPMENT	OFF FINISHED ROOF
UP TO 36"	18"
37" AND UP	36"

1  
A3.24

*IRON BUILD PIPE SUPPORT DETAIL*

NO SCALE:



State of Wisconsin  
Department of Administration  
Division of Facilities Development

TYPICAL DFD STANDARD  
BUR CONSTRUCTION DETAIL

Scale	NO
DFD Number	
Set Type	RD.
Date Issued	

Agency / Institution:

Sheet Title:

PIPE SUPPORT DETAIL Rev-10/01/2012

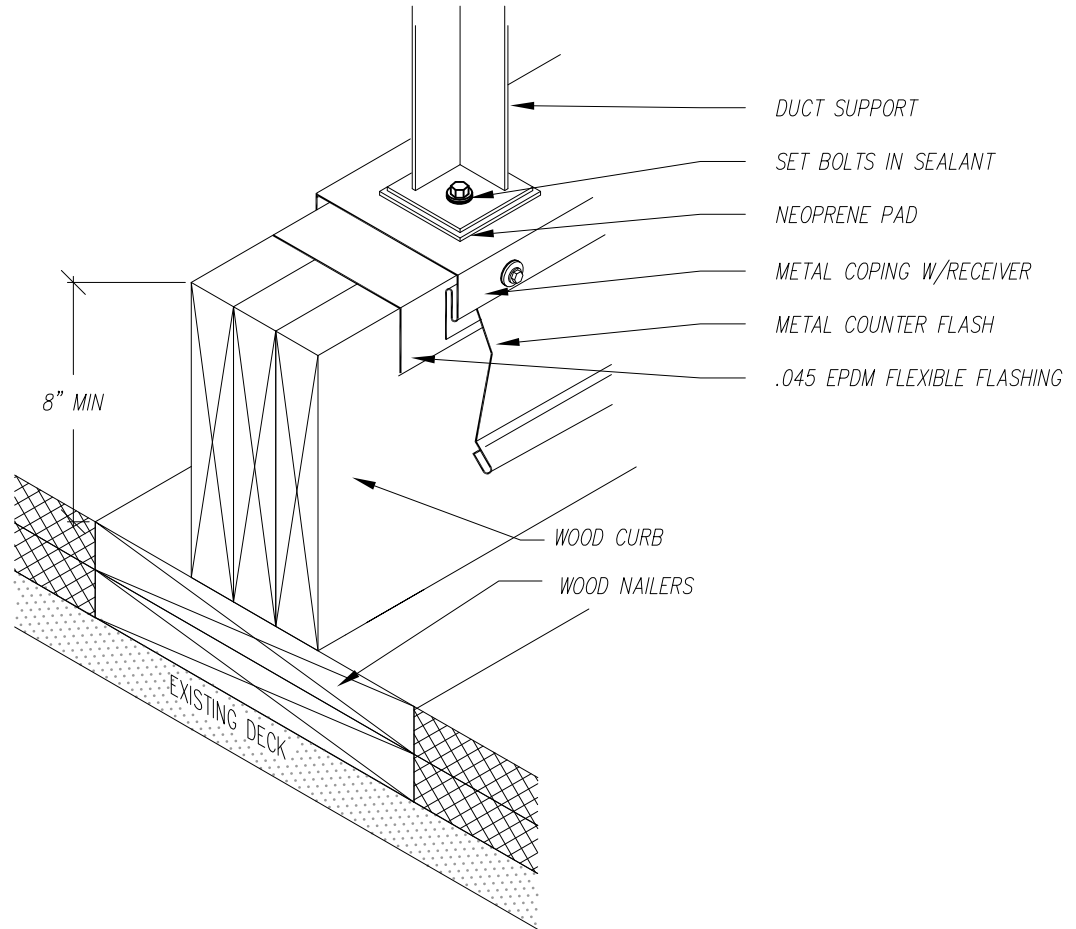
Sheet Number **A3.24**

**NOTE:**

- 1: THESE DRAWINGS ARE FOR INFORMATIONAL PURPOSES ONLY, CONSTRUCTION MAY VARY FOR DIFFERENT APPLICATIONS
- 2: SEE TABLE BELOW FOR REQUIRED HEIGHTS & WIDTHS

**NOTE:**

- REFER TO SPECIFICATIONS FOR
- 1: INSULATION TYPE & THICKNESS
- 2: ROOFING SYSTEM SPECIFICS



WIDTH OF EQUIPMENT	OFF FINISHED ROOF
UP TO 36"	18"
37" AND UP	36"

1  
A3.25

**WOOD BUILD DUCT SUPPORT DETAIL**

NO SCALE:

*Pressure Treated Plywood and Lumber: These products shall not be specified or provided for use in roofing projects as a substrate material*



State of Wisconsin  
Department of Administration  
Division of Facilities Development

TYPICAL DFD STANDARD  
BUR CONSTRUCTION DETAIL

Scale	NO
DFD Number	
Set Type	RD.
Date Issued	

Agency / Institution:

Sheet Title:

DUCT SUPPORT DETAIL

Rev-10/01/2012

Sheet Number

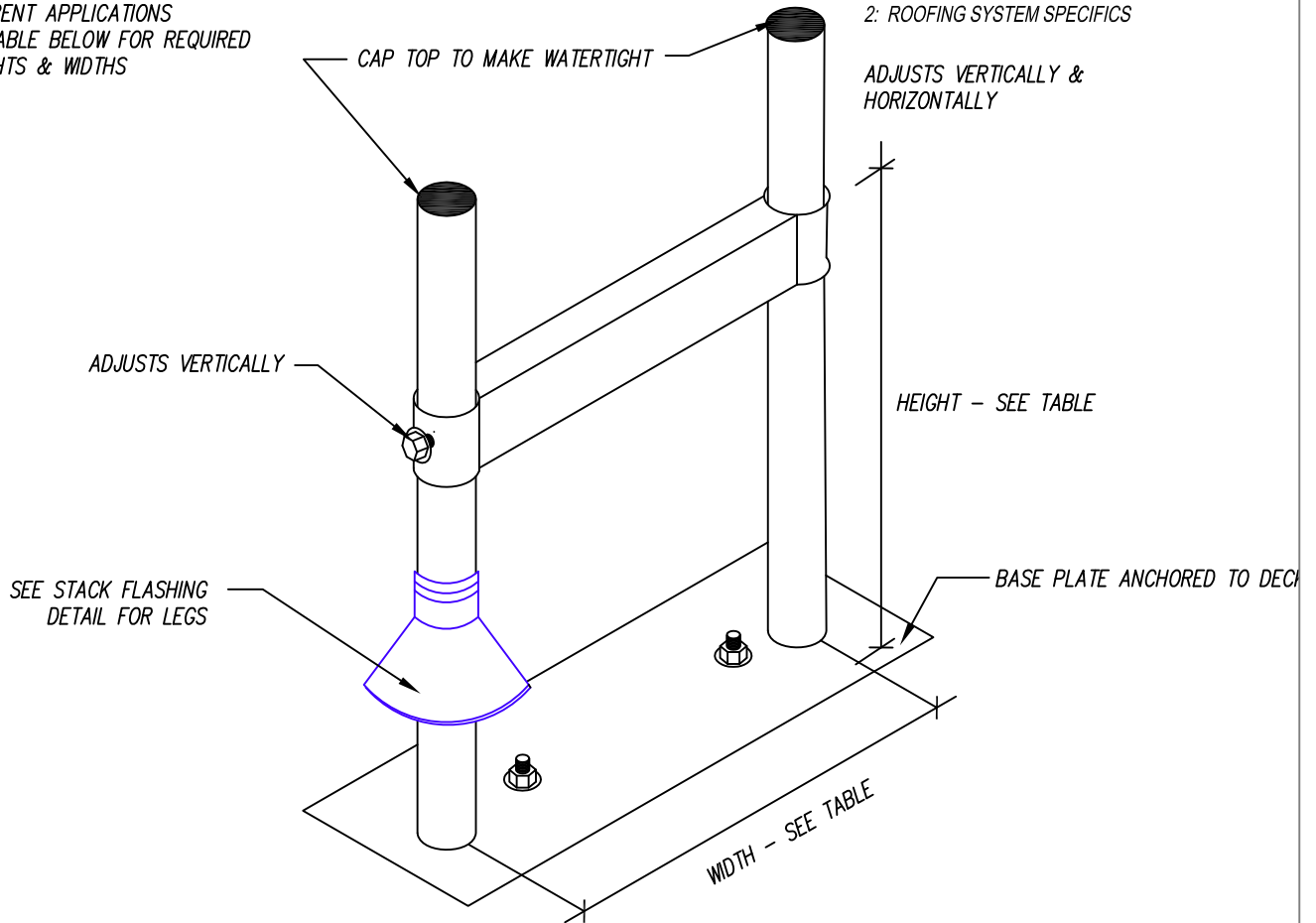
**A3.25**

**NOTE:**

- 1: THESE DRAWINGS ARE FOR INFORMATIONAL PURPOSES ONLY, CONSTRUCTION MAY VARY FOR DIFFERENT APPLICATIONS
- 2: SEE TABLE BELOW FOR REQUIRED HEIGHTS & WIDTHS

**NOTE:**

- REFER TO SPECIFICATIONS FOR
- 1: INSULATION TYPE & THICKNESS
- 2: ROOFING SYSTEM SPECIFICS



WIDTH OF EQUIPMENT	OFF FINISHED ROOF
UP TO 36"	18"
37" AND UP	36"

1  
A3.26

**ADJUSTABLE DUCT SUPPORT DETAIL**

NO SCALE:

NOTE TO SPECIFIER: COORDINATE ROOFING TYPE AND INCLUDE APPLICABLE PIPE THRU ROOF DETAIL(S).



State of Wisconsin  
Department of Administration  
Division of Facilities Development

TYPICAL DFD STANDARD  
BUR CONSTRUCTION DETAIL

Scale	NO
DFD Number	
Set Type	RD.
Date Issued	

Agency / Institution:

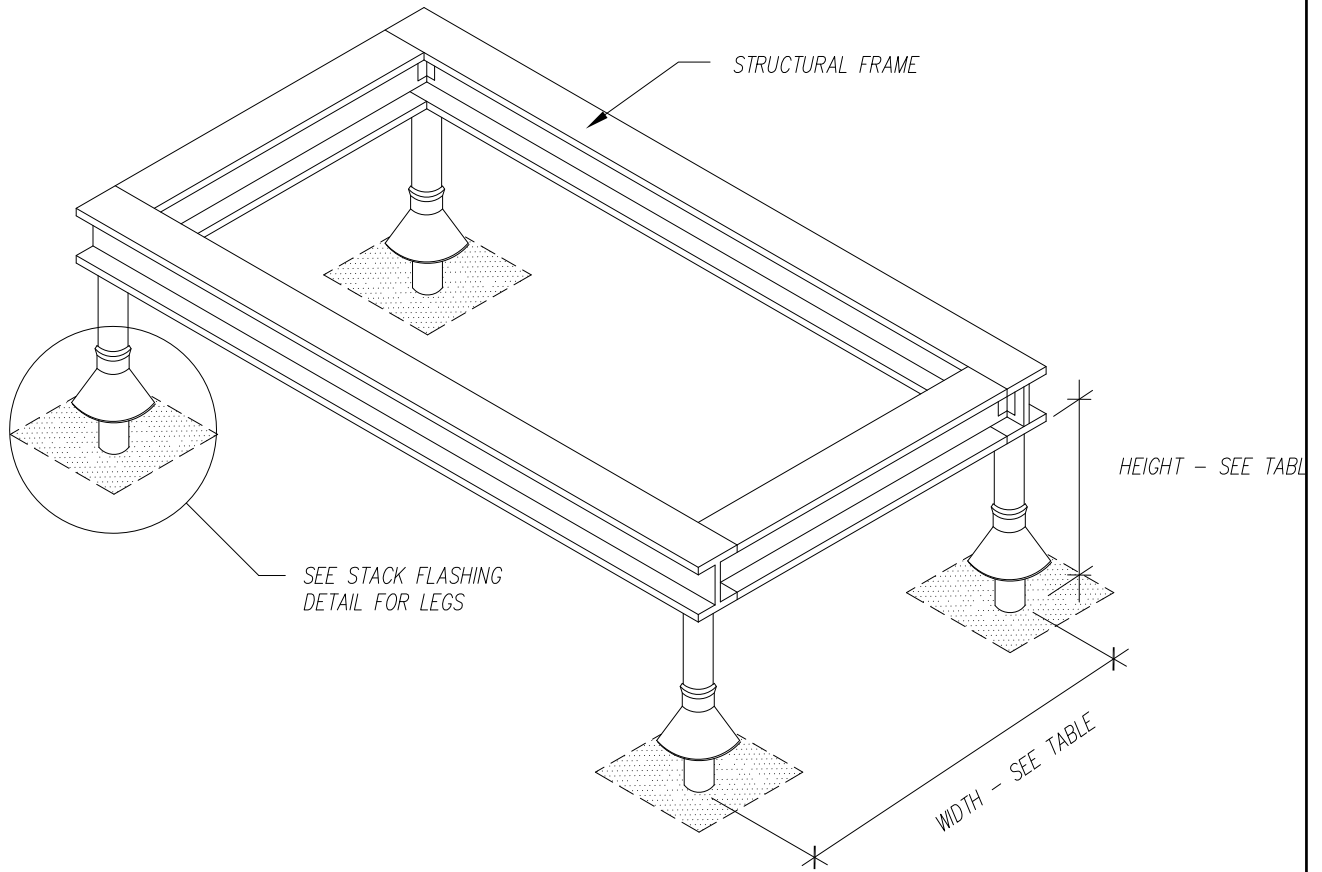
Sheet Title:

DUCT SUPPORT DETAIL

Rev-10/01/2012

Sheet Number

**A3.26**



WIDTH OF EQUIPMENT	OFF FINISHED ROOF
UP TO 36"	18"
37" AND UP	36"

1  
A3.27

EQUIPMENT SUPPORT STAND DETAIL

NO SCALE:



State of Wisconsin  
Department of Administration  
Division of Facilities Development

TYPICAL DFD STANDARD  
BUR CONSTRUCTION DETAIL

Scale NO

DFD  
Number  
Set  
Type RD.  
Date  
Issued

Agency / Institution:

Sheet Title:

EQUIPMENT SUPPORT DETAIL

Rev-10/01/2012

Sheet  
Number

**A3.27**