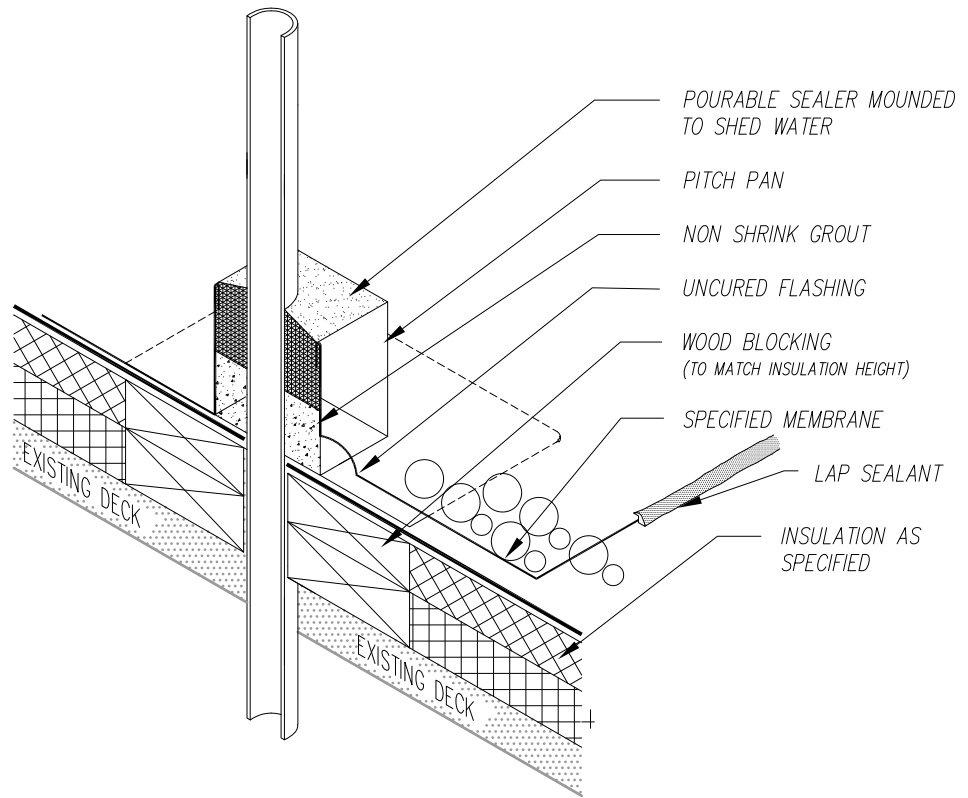


A 400 Ballasted EPDM Construction Detail

- A4.1 Pitch Pan Detail
- A4.2 Hi Temp Pipe Detail
- A4.3 Class B Vent Detail
- A4.4 Vent Stack Detail
- A4.5 Roof Drain Detail
- A4.6 Fascia Detail
- A4.7 Multiple Fascia Detail
- A4.8 Snap On Fascia Detail
- A4.9 Coping Detail
- A4.10 Butt End @ Coping Detail
- A4.11 Reglet & 2 PC. Counter flashing Detail
- A4.12 Surface Mount Counter flashing Detail
- A4.13 Expansion Joint Detail
- A4.14 Wall Exp. Joint Detail
- A4.15 Roof Curb Detail
- A4.16 Roof Hatch Detail
- A4.17 Wood Build Sleeper Curb Detail
- A4.18 Prefab. Metal Sleeper Curb Detail
- A4.19 Equipment Support w/Pipe Chase Detail
- A4.20 Multiple Pipe Support Detail
- A4.21 Louver Flashing Min. Height Detail
- A4.22 Window Flashing Min. Height Detail
- A4.23 Door Flashing Min. Height Detail
- A4.24 Wood Build Pipe Support Detail
- A4.25 Iron Build Pipe Support Detail
- A4.26 Wood Build Duct Support Detail
- A4.27 Adjustable Duct Support Detail
- A4.28 Equipment Support Stand Detail

Click for DFD Master Specifications

http://www.doa.state.wi.us/dsf/masterspec_view_new.asp?catid=37&locid=4



1
A4.1

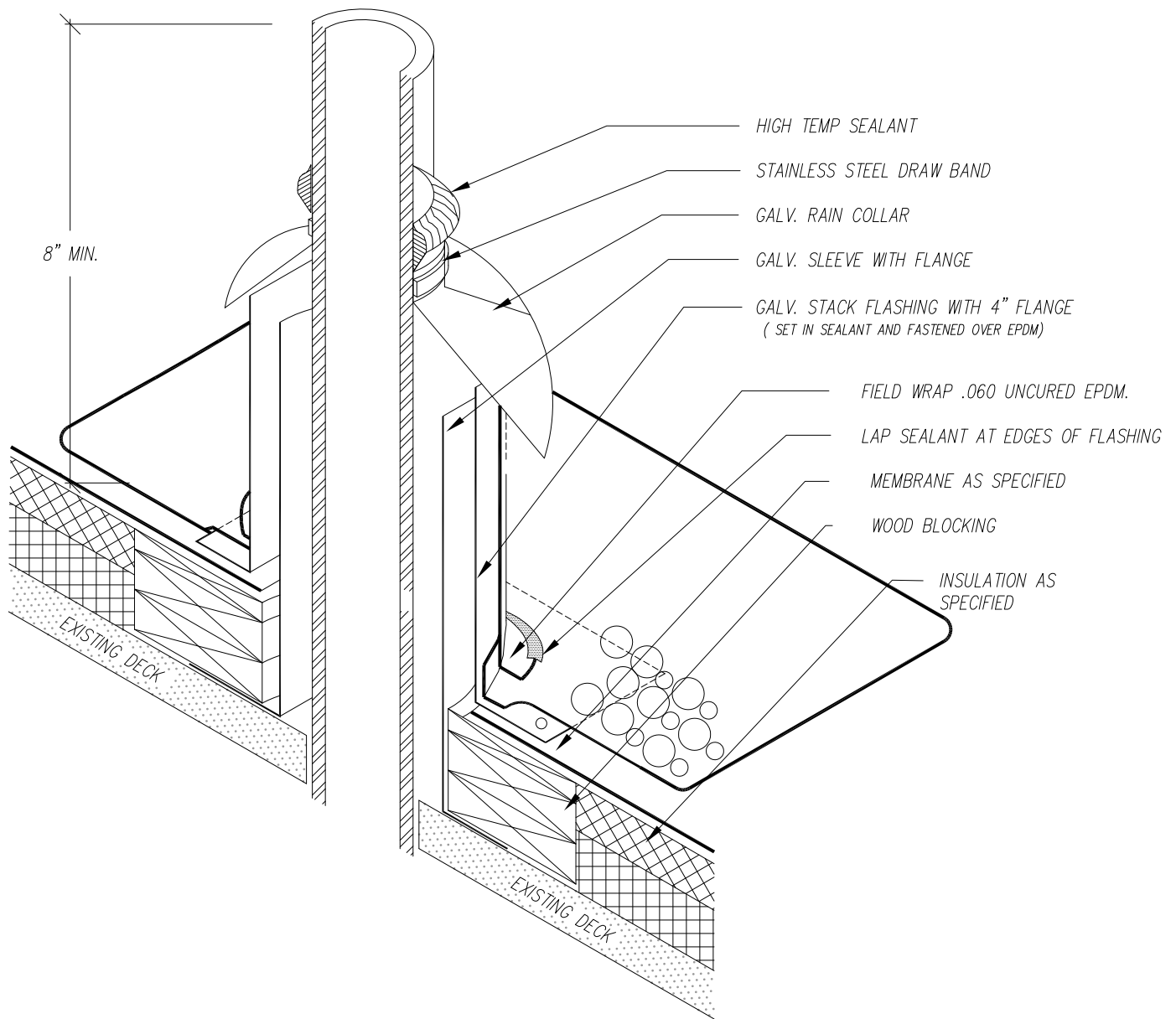
PITCH PAN DETAIL

NO SCALE:

SEE SECTION 07 53 23
FOR INSTALLATION INSTRUCTIONS

Pressure Treated Plywood and Lumber: These products shall not be specified or provided for use in roofing projects as a substrate material

 <p>State of Wisconsin Department of Administration Division of Facilities Development</p>	<p>TYPICAL DFD STANDARD BALLASTED EPDM DETAIL</p>	Scale	NO
		DFD Number	
Agency / Institution:	Sheet Title:	Set Type	RD.
		Date Issued	
		Sheet Number	A4.1
	PITCH PAN DETAIL	Rev-10/01/2012	




1
A4.2

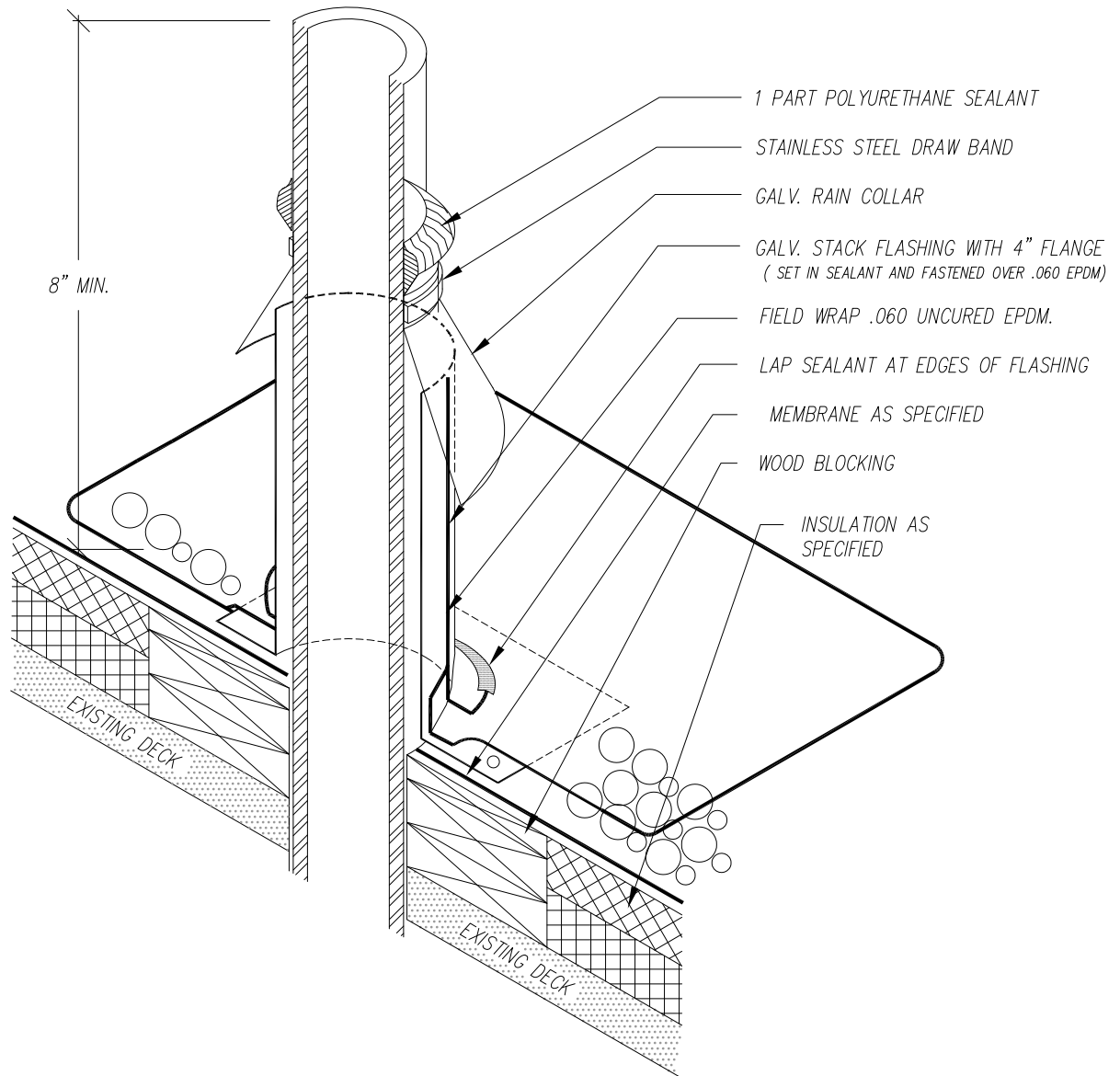
HIGH TEMP. PIPE DETAIL

NO SCALE:

SEE SECTION 07 53 23
FOR INSTALLATION INSTRUCTIONS

Pressure Treated Plywood and Lumber: These products shall not be specified or provided for use in roofing projects as a substrate material

 <p>State of Wisconsin Department of Administration Division of Facilities Development</p>	<p>TYPICAL DFD STANDARD BALLASTED EPDM DETAIL</p>	Scale	NO
		DFD Number	
<p>Agency / Institution:</p>	<p>Sheet Title: HIGH TEMP PIPE DETAIL</p>	Set Type	RD.
		Date Issued	
	<p>Rev-10/01/2012</p>	Sheet Number	A4.2



1
A4.3

CLASS B VENT PIPE DETAIL

NO SCALE:

SEE SECTION 07 53 23
FOR INSTALLATION INSTRUCTIONS

Pressure Treated Plywood and Lumber: These products shall not be specified or provided for use in roofing projects as a substrate material



State of Wisconsin
Department of Administration
Division of Facilities Development

TYPICAL DFD STANDARD
BALLASTED EPDM DETAIL

Scale NO

DFD Number
Set Type RD.
Date Issued

Agency / Institution:

Sheet Title:

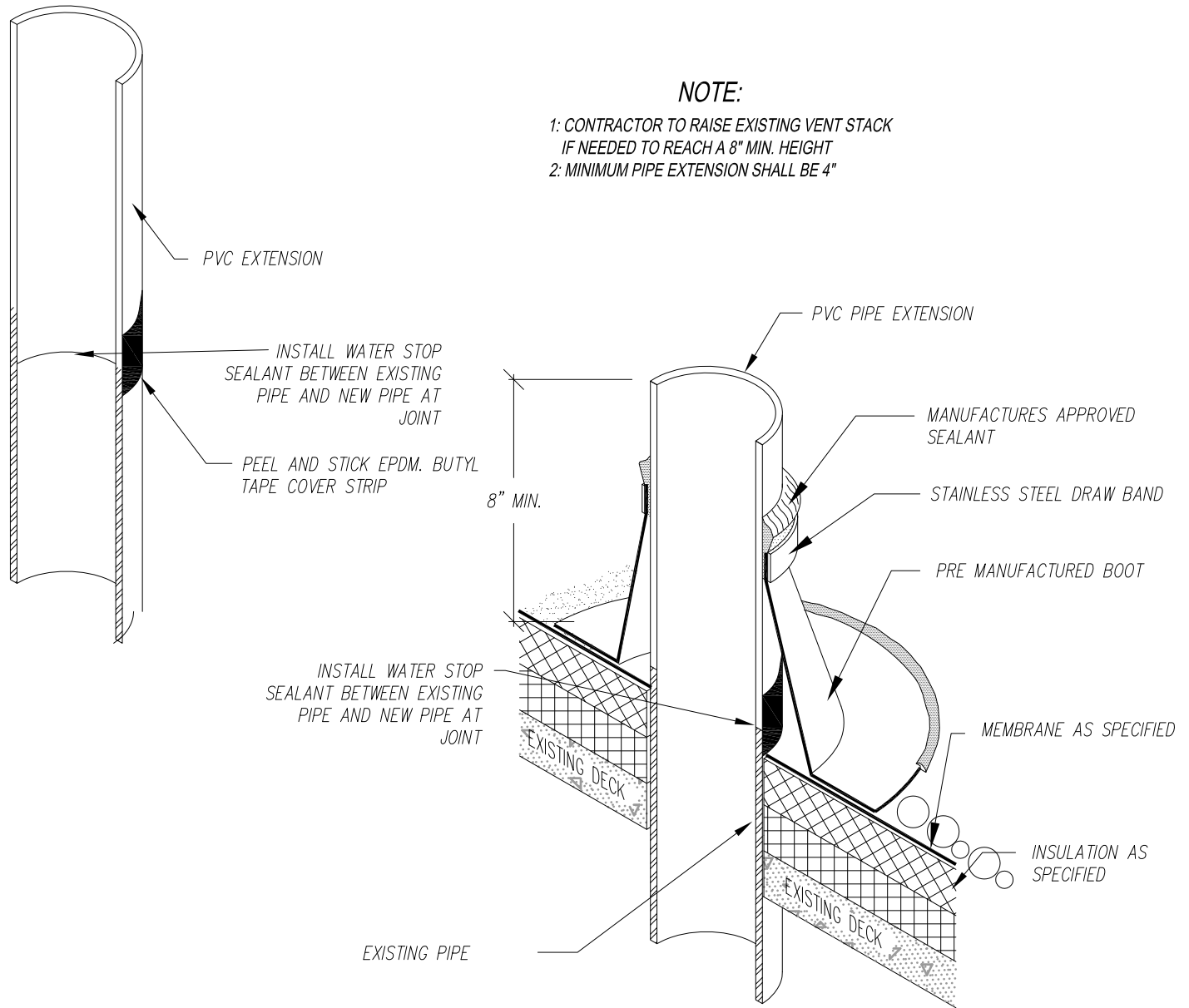
CLASS B VENT DETAIL Rev-10/01/2012

Sheet Number

A4.3

NOTE:

- 1: CONTRACTOR TO RAISE EXISTING VENT STACK IF NEEDED TO REACH A 8" MIN. HEIGHT
- 2: MINIMUM PIPE EXTENSION SHALL BE 4"



1
A4.4

VENT STACK DETAIL

NO SCALE:

**SEE SECTION 07 53 23
FOR INSTALLATION INSTRUCTIONS**



State of Wisconsin
Department of Administration
Division of Facilities Development

TYPICAL DFD STANDARD
BALLASTED EPDM DETAIL

Scale NO

DFD Number
Set Type RD.
Date Issued

Agency / Institution:

Sheet Title:

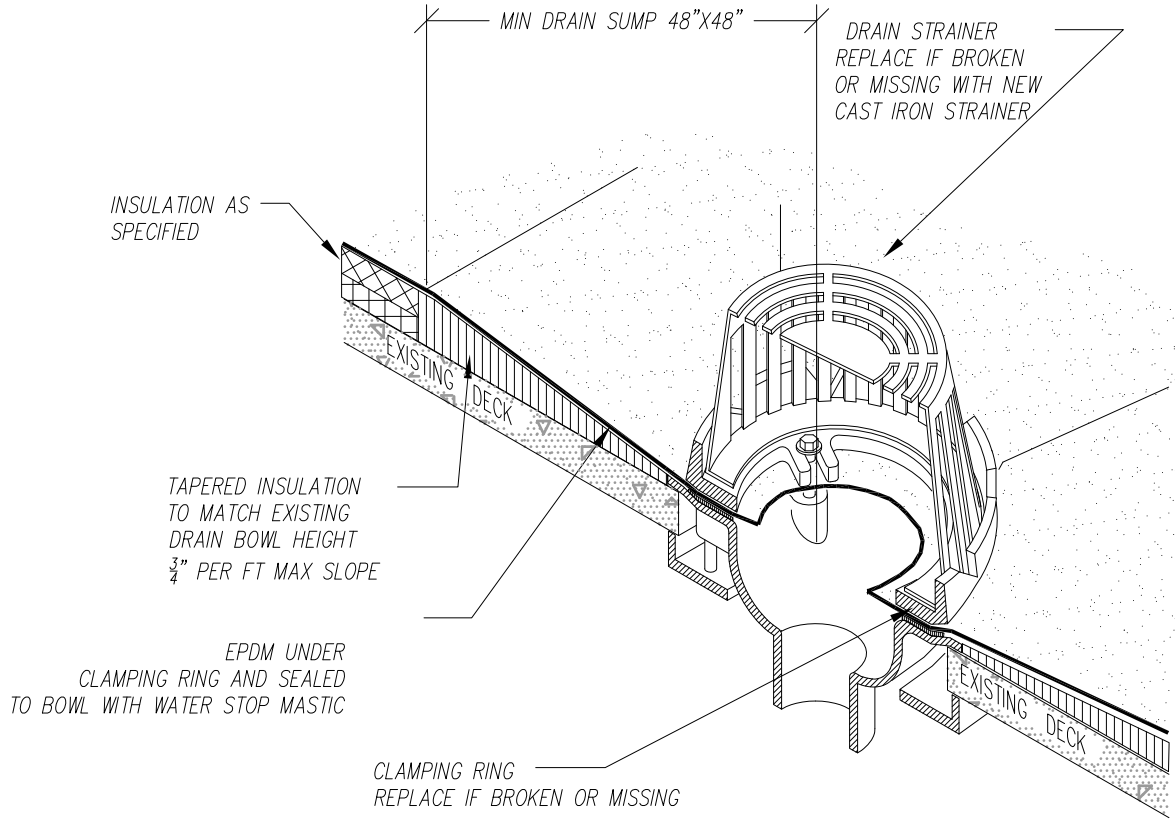
VENT STACK DETAIL Rev-10/01/2012

Sheet Number

A4.4

NOTE:

1: CONTRACTOR MAY HAVE TO CUT OUT EXISTING DRAIN SUMP TO ALLOW FOR INSTALLATION OF NEW INSULATION AND DRAIN SUMP




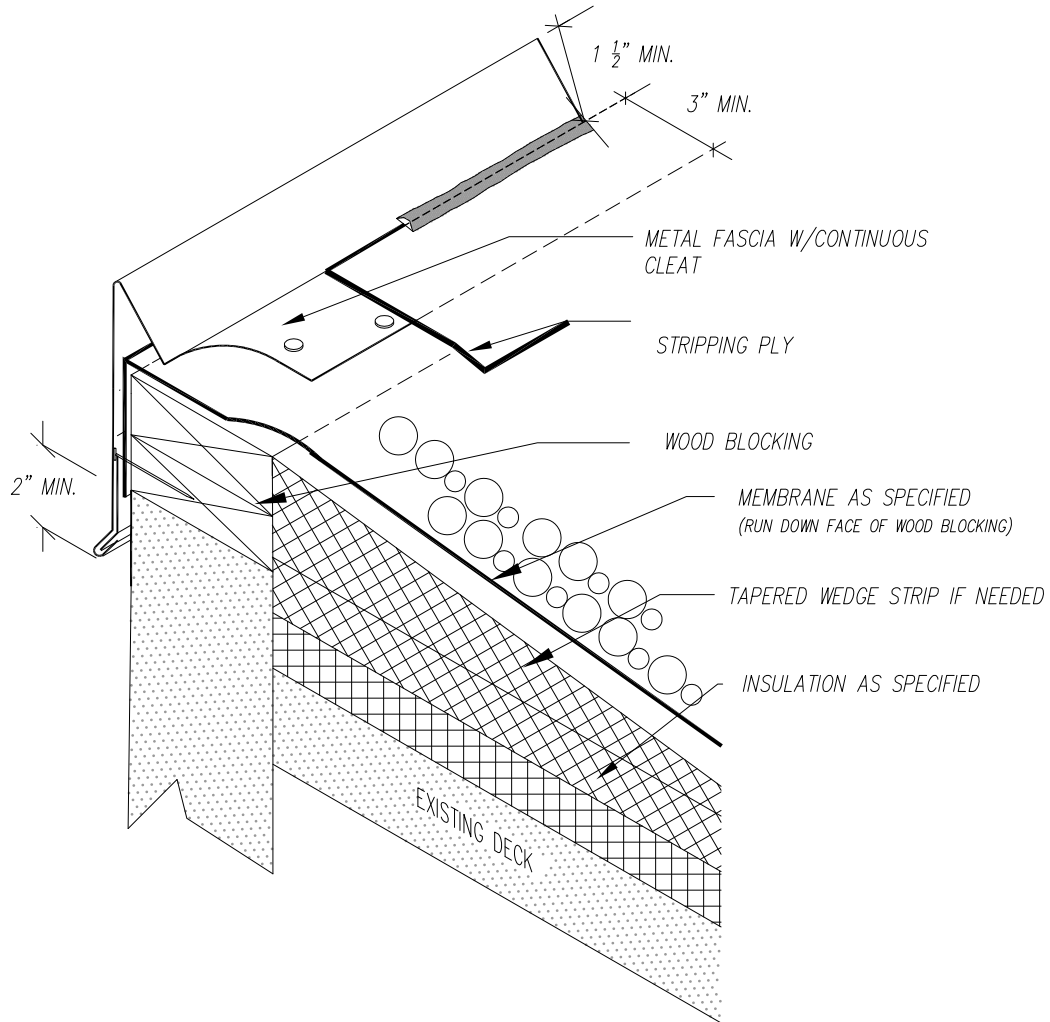
1
A4.5

ROOF DRAIN DETAIL

NO SCALE:

**SEE SECTION 07 53 23
FOR INSTALLATION INSTRUCTIONS**

 <p>State of Wisconsin Department of Administration Division of Facilities Development</p>	<p>TYPICAL DFD STANDARD BALLASTED EPDM DETAIL</p>	Scale	NO
		DFD Number	
<p>Agency / Institution:</p>	<p>Sheet Title: <i>ROOF DRAIN DETAIL</i> <i>Rev-10/01/2012</i></p>	Set Type	RD.
		Sheet Number	A4.5




1
A4.6

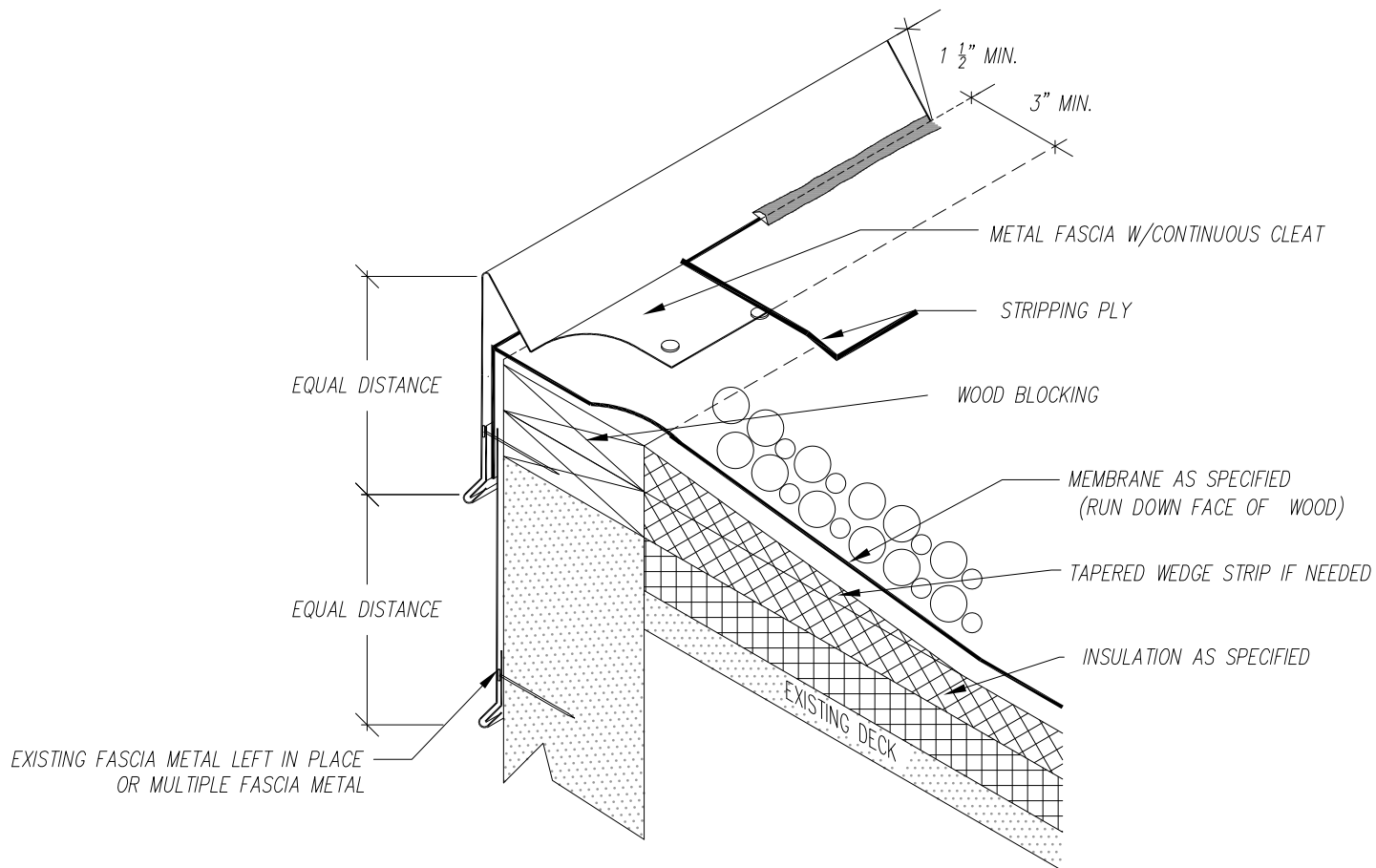
FASCIA DETAIL

NO SCALE:

SEE SECTION 07 53 23
FOR INSTALLATION INSTRUCTIONS

Pressure Treated Plywood and Lumber: These products shall not be specified or provided for use in roofing projects as a substrate material

 <p>State of Wisconsin Department of Administration Division of Facilities Development</p>	<p>TYPICAL DFD STANDARD BALLASTED EPDM DETAIL</p>	Scale	NO
		DFD Number	
<p>Agency / Institution:</p>	<p>Sheet Title: FASCIA DETAIL</p>	Set Type	RD.
		Date Issued	
	<p>Rev-10/01/2012</p>	Sheet Number	A4.6



1
A4.7

MULTIPLE FASCIA DETAIL

NO SCALE:

SEE SECTION 07 53 23
FOR INSTALLATION INSTRUCTIONS

Pressure Treated Plywood and Lumber: These products shall not be specified or provided for use in roofing projects as a substrate material



State of Wisconsin
Department of Administration
Division of Facilities Development

TYPICAL DFD STANDARD
BALLASTED EPDM DETAIL

Scale NO

DFD Number
Set Type RD.
Date Issued

Agency / Institution:

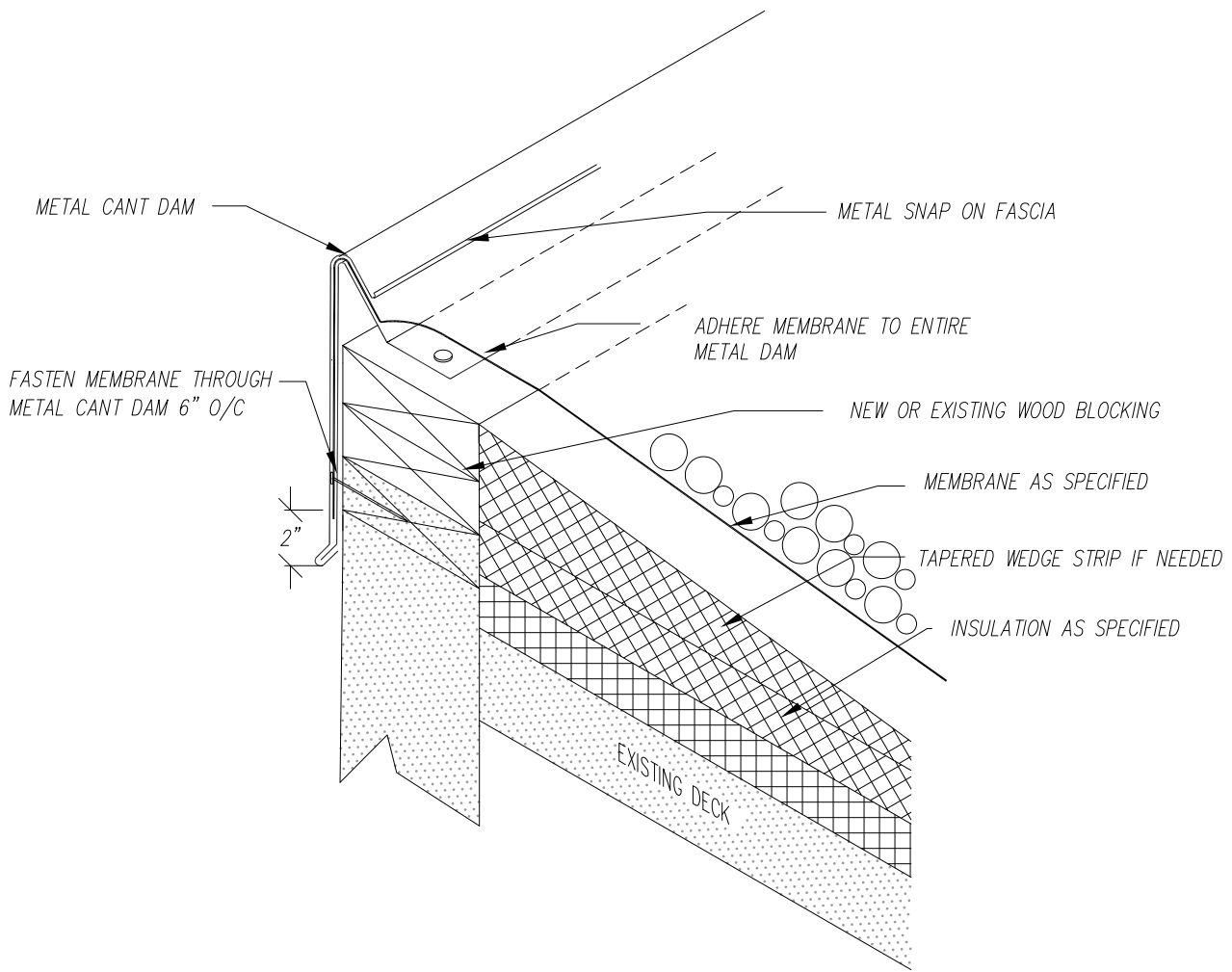
Sheet Title:

MULTIPLE FASCIA DETAIL

Rev-10/01/2012

Sheet Number

A4.7



1
A4.8

SNAP ON FASCIA DETAIL

NO SCALE:

SEE SECTION 07 53 23
FOR INSTALLATION INSTRUCTIONS

Pressure Treated Plywood and Lumber: These products shall not be specified or provided for use in roofing projects as a substrate material



State of Wisconsin
Department of Administration
Division of Facilities Development

TYPICAL DFD STANDARD
BALLASTED EPDM DETAIL

Scale NO

DFD Number
Set Type RD.
Date Issued

Agency / Institution:

Sheet Title:

SNAP ON FASCIA DETAIL

Rev-10/01/2012

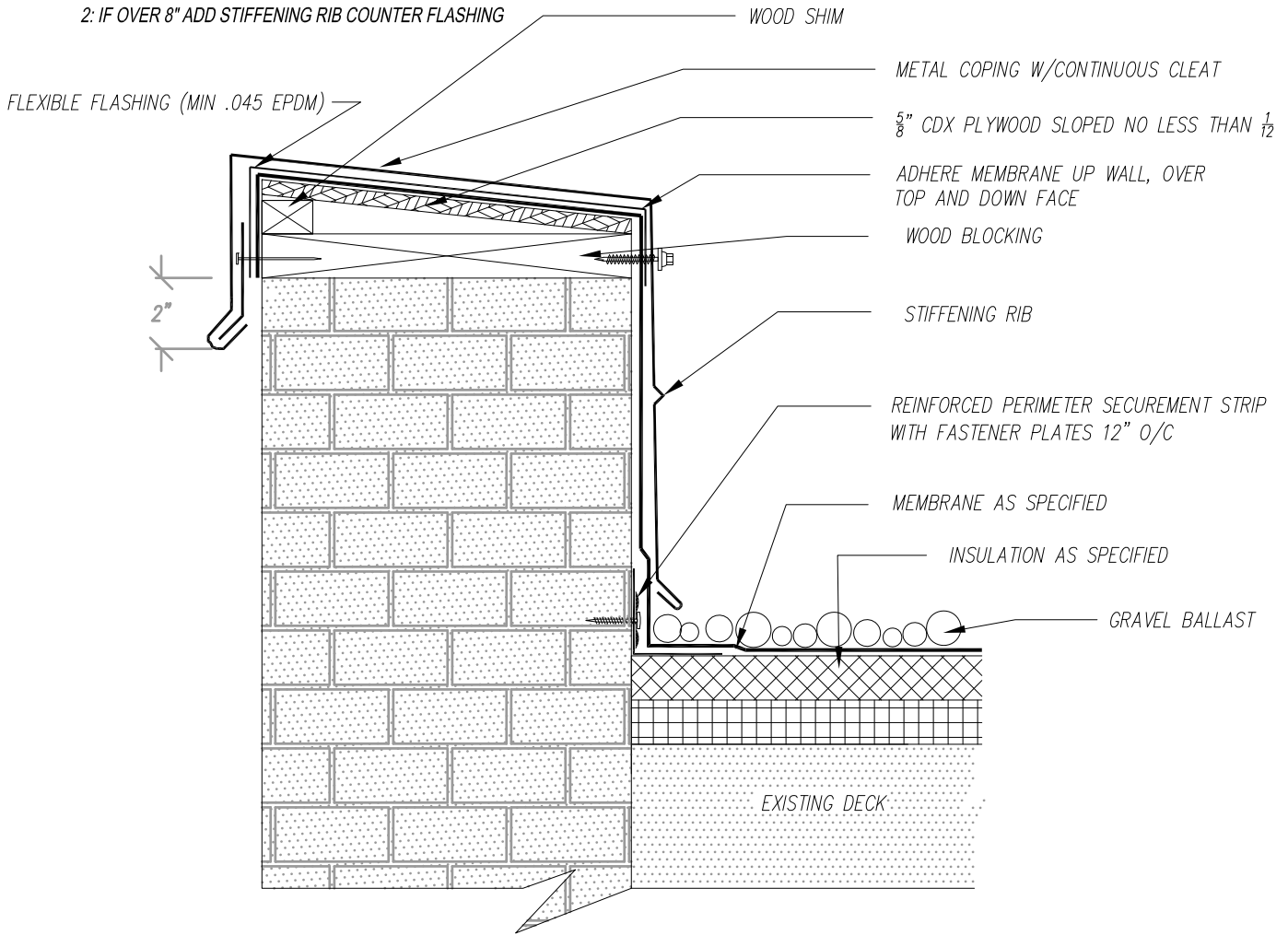
Sheet Number

A4.8

NOTE:

1: RUN METAL COPING DOWN INSIDE FACE
WITHIN 1/2" FROM ROOF LINE TO PROTECT MEMBRANE FLASHINGS

2: IF OVER 8" ADD STIFFENING RIB COUNTER FLASHING



1
A4.9

COPING DETAIL

NO SCALE:

**SEE SECTION 07 53 23
FOR INSTALLATION INSTRUCTIONS**

Pressure Treated Plywood and Lumber: These products shall not be specified or provided for use in roofing projects as a substrate material



**State of Wisconsin
Department of Administration
Division of Facilities Development**

**TYPICAL DFD STANDARD
BALLASTED EPDM DETAIL**

Scale NO

DFD Number
Set Type RD.
Date Issued

Agency / Institution:

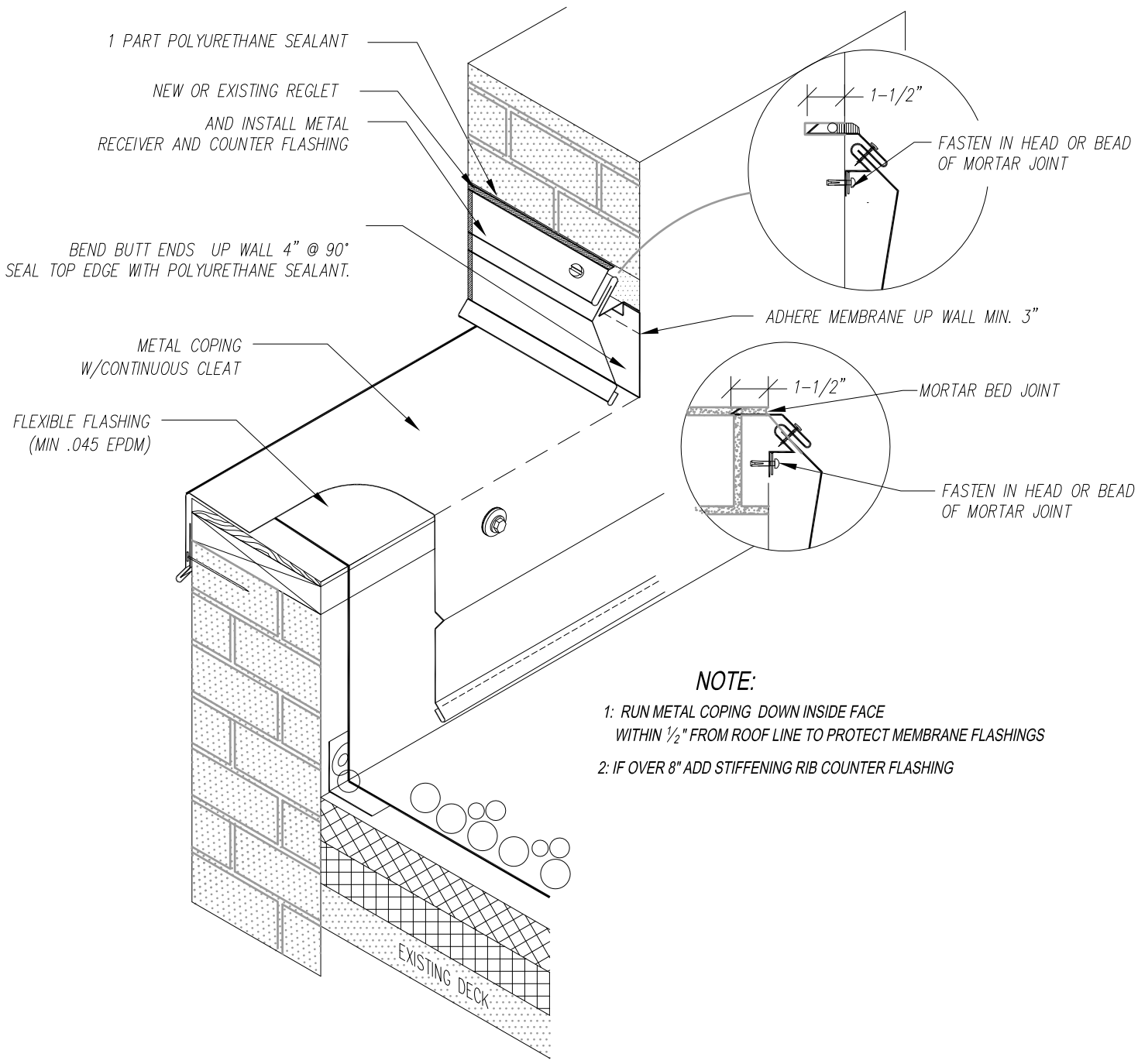
Sheet Title:

COPING DETAIL

Rev-10/01/2012

Sheet Number

A4.9



NOTE:

- 1: RUN METAL COPING DOWN INSIDE FACE WITHIN 1/2" FROM ROOF LINE TO PROTECT MEMBRANE FLASHINGS
- 2: IF OVER 8" ADD STIFFENING RIB COUNTER FLASHING


1
A4.10

BUTT END @ COPING DETAIL

NO SCALE:

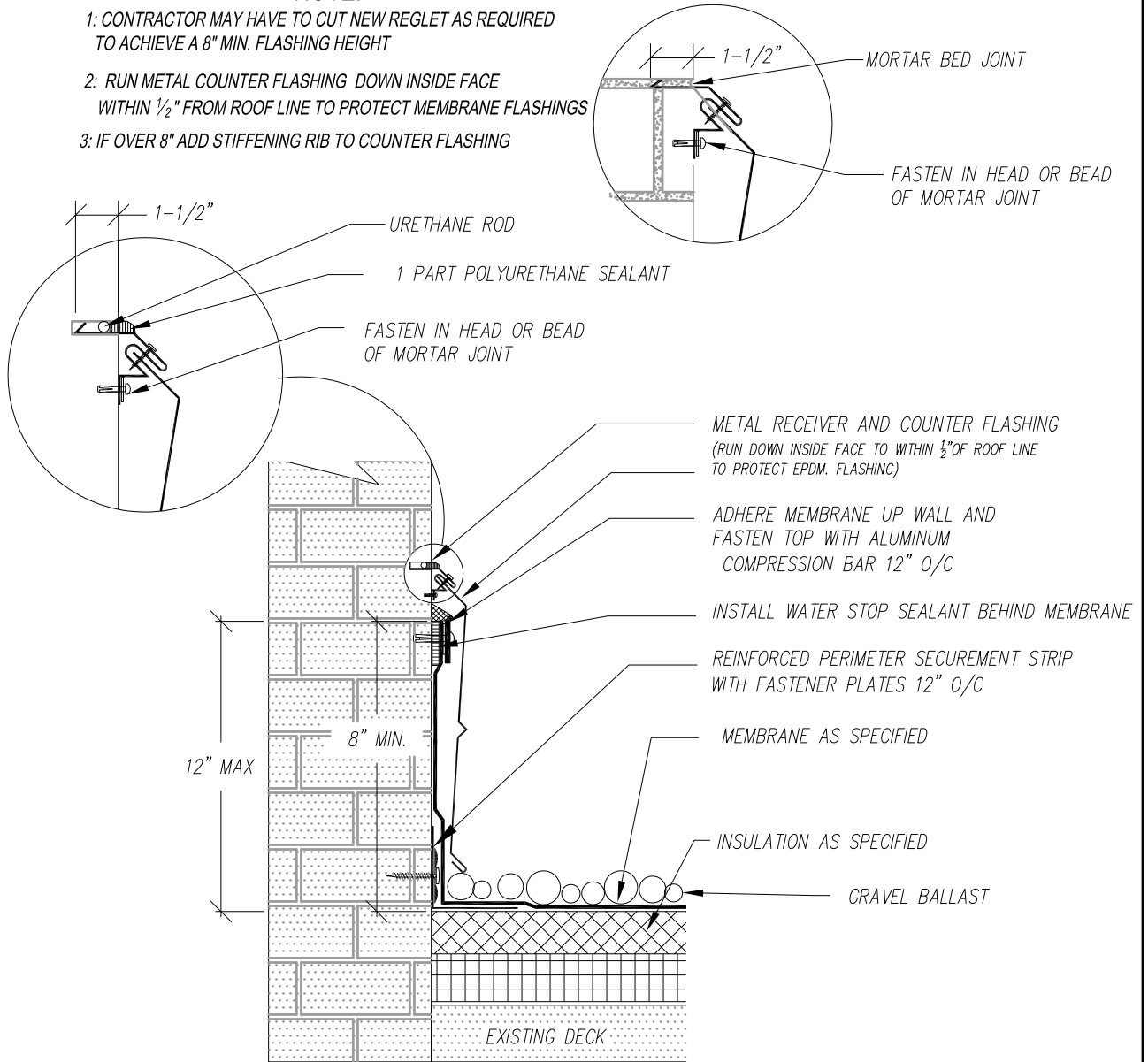
**SEE SECTION 07 53 23
FOR INSTALLATION INSTRUCTIONS**

Pressure Treated Plywood and Lumber: These products shall not be specified or provided for use in roofing projects as a substrate material

 <p>State of Wisconsin Department of Administration Division of Facilities Development</p>	<p>TYPICAL DFD STANDARD BALLASTED EPDM DETAIL</p>	Scale	NO
		DFD Number	
<p>Agency / Institution:</p>	<p>Sheet Title: <i>COPING @ BUTT END DETAIL</i></p>	Set Type	RD.
		Sheet Number	A4.10
	<p>Rev-10/01/2012</p>	Date Issued	

NOTE:

- 1: CONTRACTOR MAY HAVE TO CUT NEW REGLET AS REQUIRED TO ACHIEVE A 8" MIN. FLASHING HEIGHT
- 2: RUN METAL COUNTER FLASHING DOWN INSIDE FACE WITHIN 1/2" FROM ROOF LINE TO PROTECT MEMBRANE FLASHINGS
- 3: IF OVER 8" ADD STIFFENING RIB TO COUNTER FLASHING



1
A4.11

REGLET & 2 PC. COUNTERFLASHING DETAIL

NO SCALE:

SEE SECTION 07 53 23
FOR INSTALLATION INSTRUCTIONS

Pressure Treated Plywood and Lumber: These products shall not be specified or provided for use in roofing projects as a substrate material



State of Wisconsin
Department of Administration
Division of Facilities Development

Agency / Institution:

TYPICAL DFD STANDARD
BALLASTED EPDM DETAIL

Sheet Title:

REGLET & 2 PC. C/F DETAIL DETAIL Rev-10/01/2012

Scale NO

DFD Number

Set Type RD.

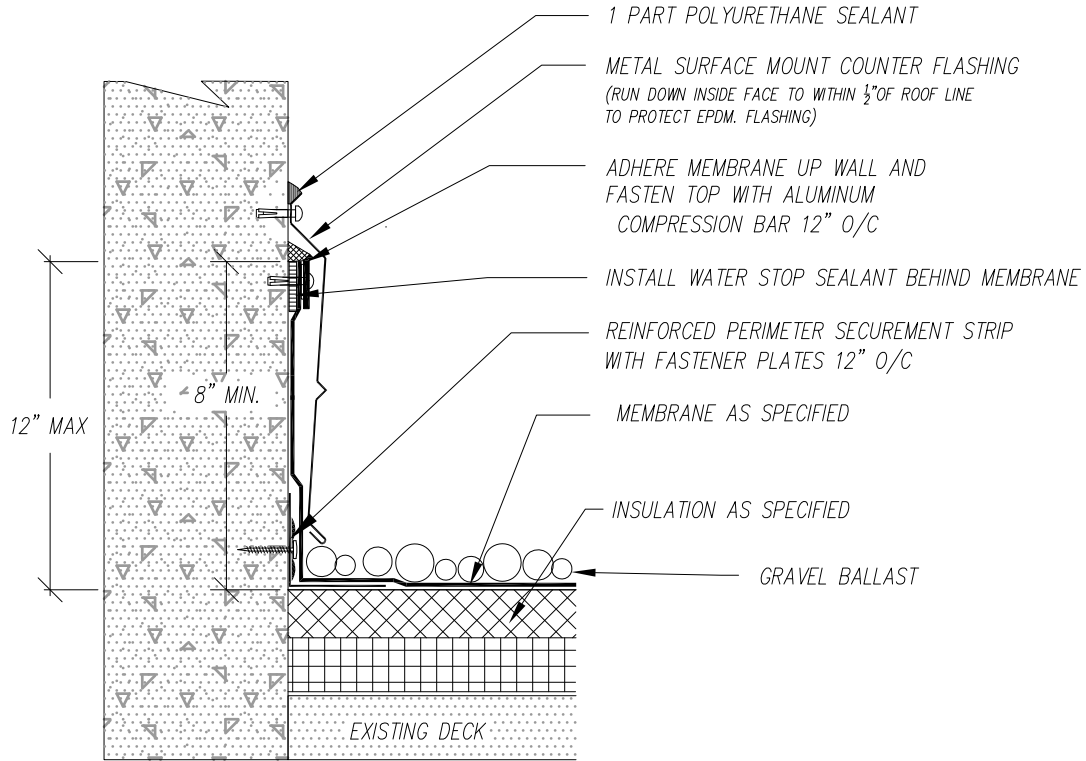
Date Issued

Sheet Number

A4.11

NOTE:

- 1: RUN METAL COUNTER FLASHING DOWN INSIDE FACE WITHIN 1/2" FROM ROOF LINE TO PROTECT MEMBRANE FLASHINGS
- 2: IF OVER 8" ADD STIFFENING RIB TO COUNTER FLASHING



1
A4.12

SURFACE MOUNT COUNTERFLASHING DETAIL

NO SCALE:

**SEE SECTION 07 53 23
FOR INSTALLATION INSTRUCTIONS**

Pressure Treated Plywood and Lumber: These products shall not be specified or provided for use in roofing projects as a substrate material



**State of Wisconsin
Department of Administration
Division of Facilities Development**

Agency / Institution:

**TYPICAL DFD STANDARD
BALLASTED EPDM DETAIL**

Sheet Title:

SURFACE MOUNT C/F. DETAIL

Rev-10/01/2012

Scale NO

DFD Number

Set Type

Date Issued

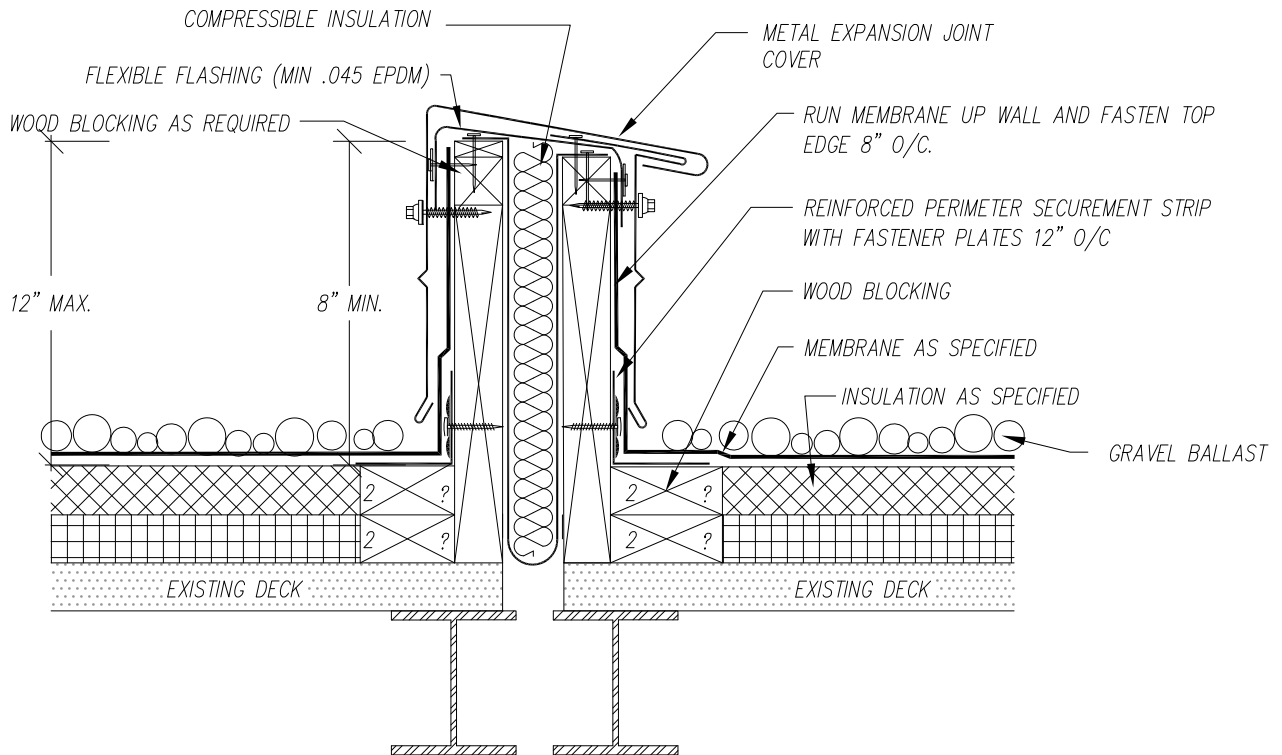
RD.

Sheet Number

A4.12

NOTE:

- 1: CONTRACTOR MAY USE EXISTING WOOD CONSTRUCTION IF IN SOUND CONDITION
- 2" CONTRACTOR MAY HAVE TO RAISE EXISTING JOINT
- 3: RUN METAL COUNTER FLASHING DOWN INSIDE FACE WITHIN 1/2" FROM ROOF LINE TO PROTECT MEMBRANE FLASHINGS
- 4: IF OVER 8" ADD STIFFENING RIB TO COUNTER FLASHING



1
A4.13

EXP JT. DETAIL

NO SCALE:

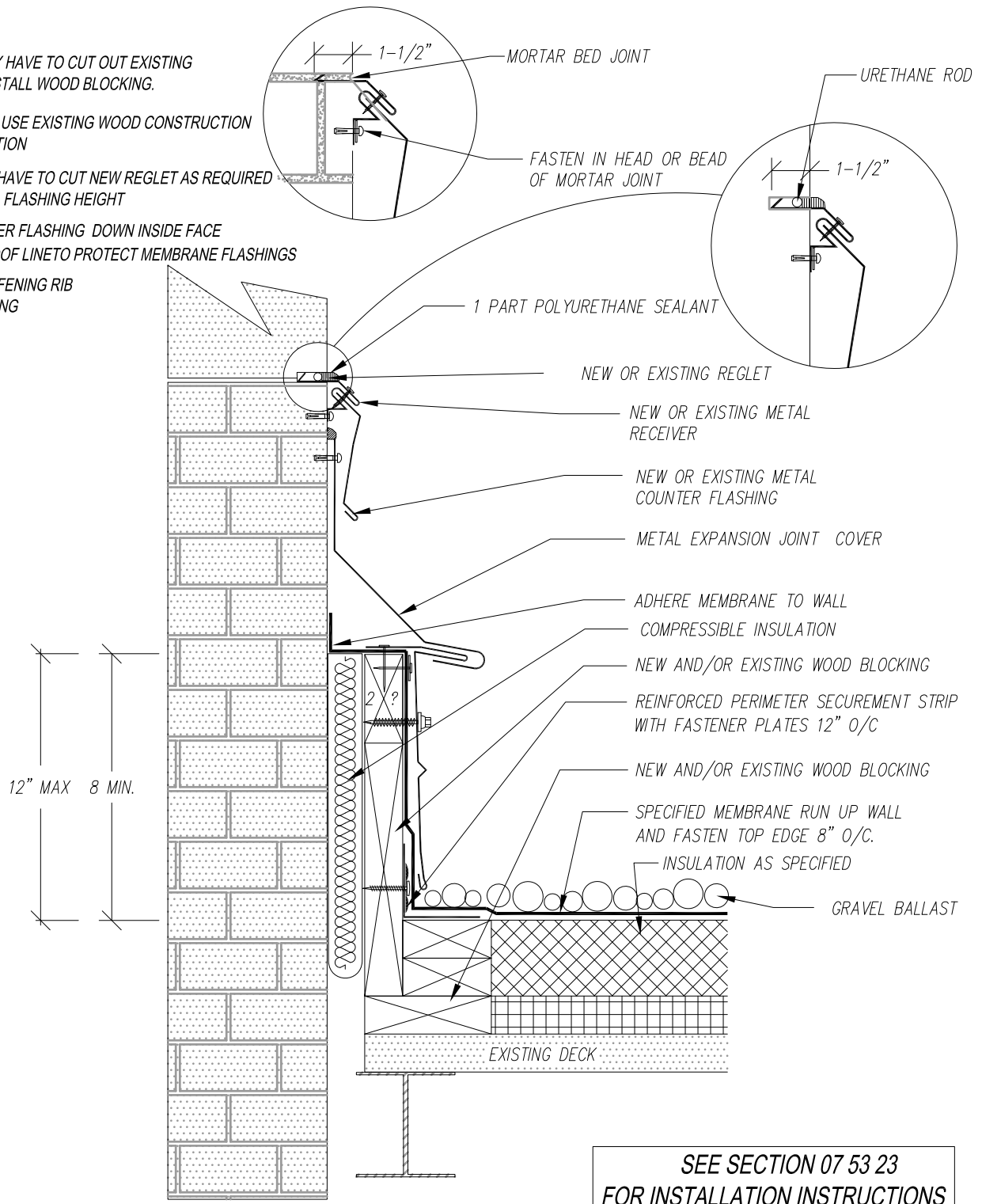
SEE SECTION 07 53 23
FOR INSTALLATION INSTRUCTIONS

Pressure Treated Plywood and Lumber: These products shall not be specified or provided for use in roofing projects as a substrate material

 <p>State of Wisconsin Department of Administration Division of Facilities Development</p>	<p>TYPICAL DFD STANDARD BALLASTED EPDM DETAIL</p>	Scale	NO
		DFD Number	
<p>Agency / Institution:</p>	<p>Sheet Title: EXP. JT. DETAIL</p>	Set Type	RD.
		Date Issued	
	<p>Rev-10/01/2012</p>	Sheet Number	A4.13

NOTE:

- 1: CONTRACTOR MAY HAVE TO CUT OUT EXISTING INSULATION TO INSTALL WOOD BLOCKING.
- 2: CONTRACTOR MAY USE EXISTING WOOD CONSTRUCTION IF IN SOUND CONDITION
- 3: CONTRACTOR MAY HAVE TO CUT NEW REGLET AS REQUIRED TO ACHIEVE A 8" MIN. FLASHING HEIGHT
- 4: RUN METAL COUNTER FLASHING DOWN INSIDE FACE WITHIN 1/2" FROM ROOF LINE TO PROTECT MEMBRANE FLASHINGS
- 5: IF OVER 8" ADD STIFFENING RIB TO COUNTER FLASHING



**SEE SECTION 07 53 23
FOR INSTALLATION INSTRUCTIONS**

1
A4.14

WALL EXP. JOINT DETAIL

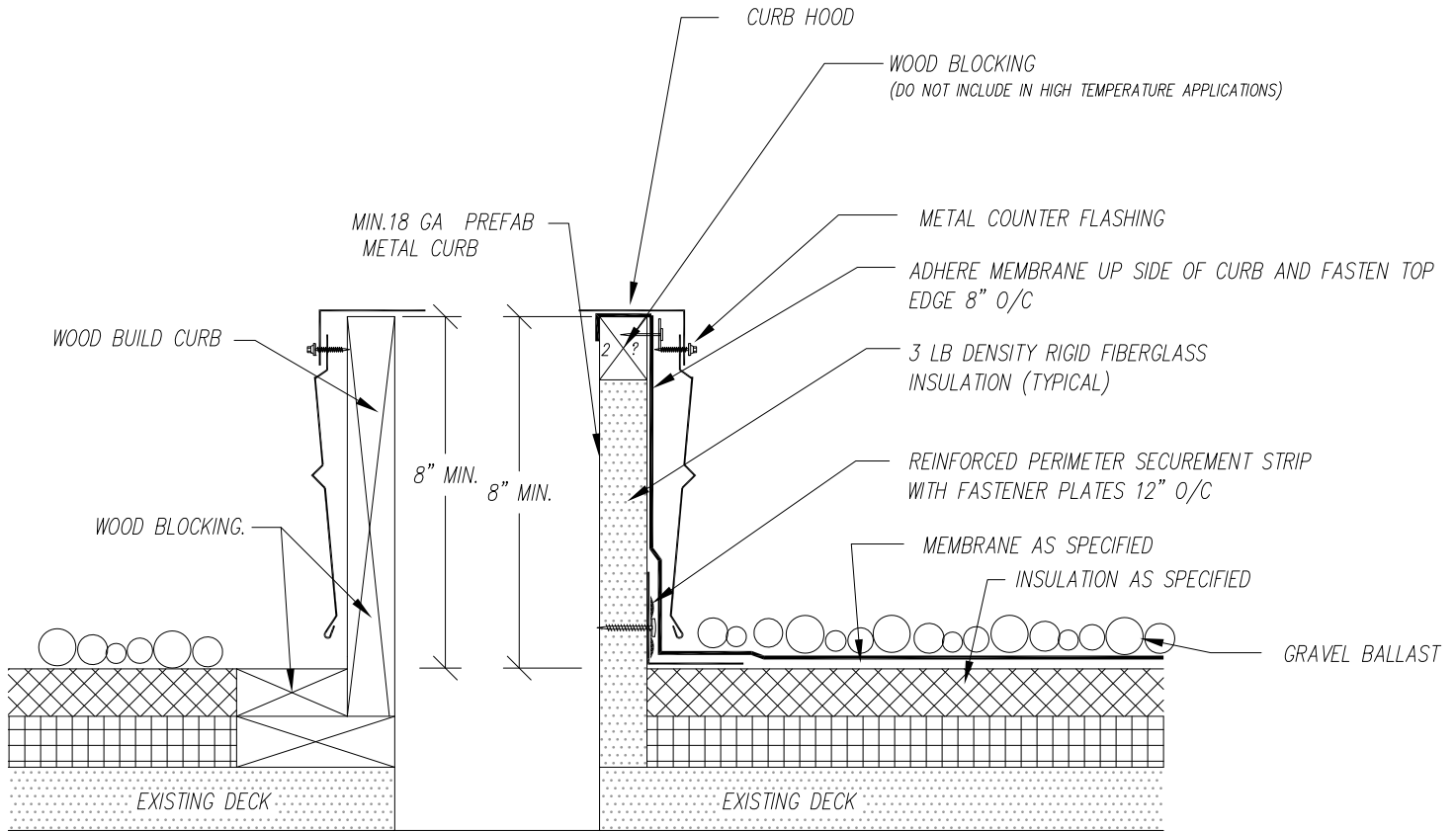
NO SCALE:

Pressure Treated Plywood and Lumber: These products shall not be specified or provided for use in roofing projects as a substrate material

<p>State of Wisconsin Department of Administration Division of Facilities Development</p>	<p>TYPICAL DFD STANDARD BALLASTED EPDM DETAIL</p>	Scale	NO
		DFD Number	
Agency / Institution:	Sheet Title:	Set Type	RD.
		Date Issued	
	WALL EXP. JT. DETAIL	Rev-10/01/2012	Sheet Number A4.14

NOTE:

- 1: CONTRACTOR TO RAISE ALL EXISTING UNITS / CURBS IF NEEDED TO MAINTAIN AN 8" MIN. FINISHED FLASHING HEIGHT.
- 2: PROVIDE TAPERED SADDLES BEHIND CURBS.
- 3: REMOVABLE HOOD, SINGLE PLY TERMINATED AT INTERIOR OF CURB. NON REMOVABLE HOOD, REQUIRE TERM BAR AND METAL COUNTER FLASHING
- 4: RUN METAL COUNTER FLASHING DOWN TO WITHIN 1/2" FROM ROOF LINE TO PROTECT MEMBRANE FLASHINGS
- 5: IF OVER 8" ADD STIFFENING RIB TO COUNTER FLASHING



1
A4.15

ROOF CURB DETAIL

NO SCALE:

SEE SECTION 07 53 23
FOR INSTALLATION INSTRUCTIONS

Pressure Treated Plywood and Lumber: These products shall not be specified or provided for use in roofing projects as a substrate material



State of Wisconsin
Department of Administration
Division of Facilities Development

TYPICAL DFD STANDARD
BALLASTED EPDM DETAIL

Scale NO

DFD Number
Set Type RD.
Date Issued

Agency / Institution:

Sheet Title:

ROOF CURB DETAIL

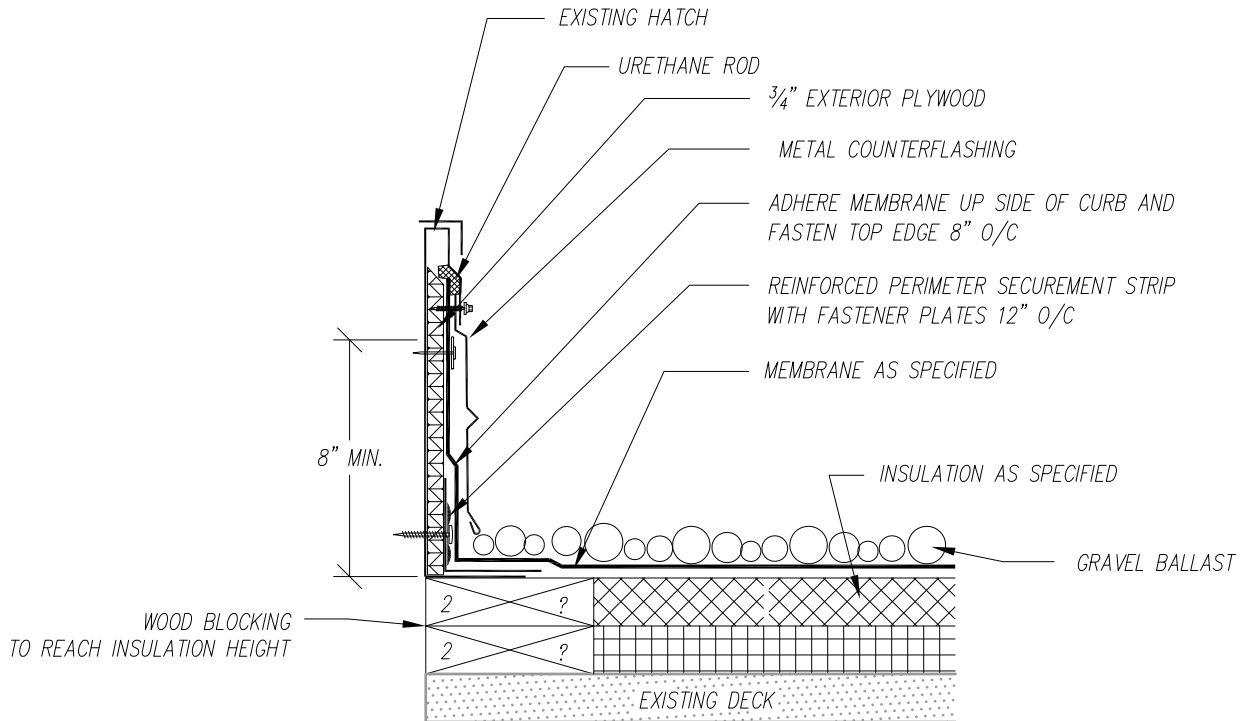
Rev-10/01/2012

Sheet Number

A4.15

NOTE:


- 1: ROOF HATCH SHALL BE PROVIDED TO MAINTAIN A 8" MIN. FINISHED FLASHING HEIGHT.
- 2: PROVIDE TAPERED SADDLES BEHIND CURBS.
- 3: PROVIDE METAL COUNTER FLASHING AT ALL CURBS ETC.
- 4: RUN METAL COUNTER FLASHING DOWN TO WITHIN 1/2" FROM ROOF LINE TO PROTECT MEMBRANE FLASHINGS
- 5: IF OVER 8" ADD STIFFENING RIB TO COUNTER FLASHING



1 ROOF HATCH DETAIL
A4.16 NO SCALE:

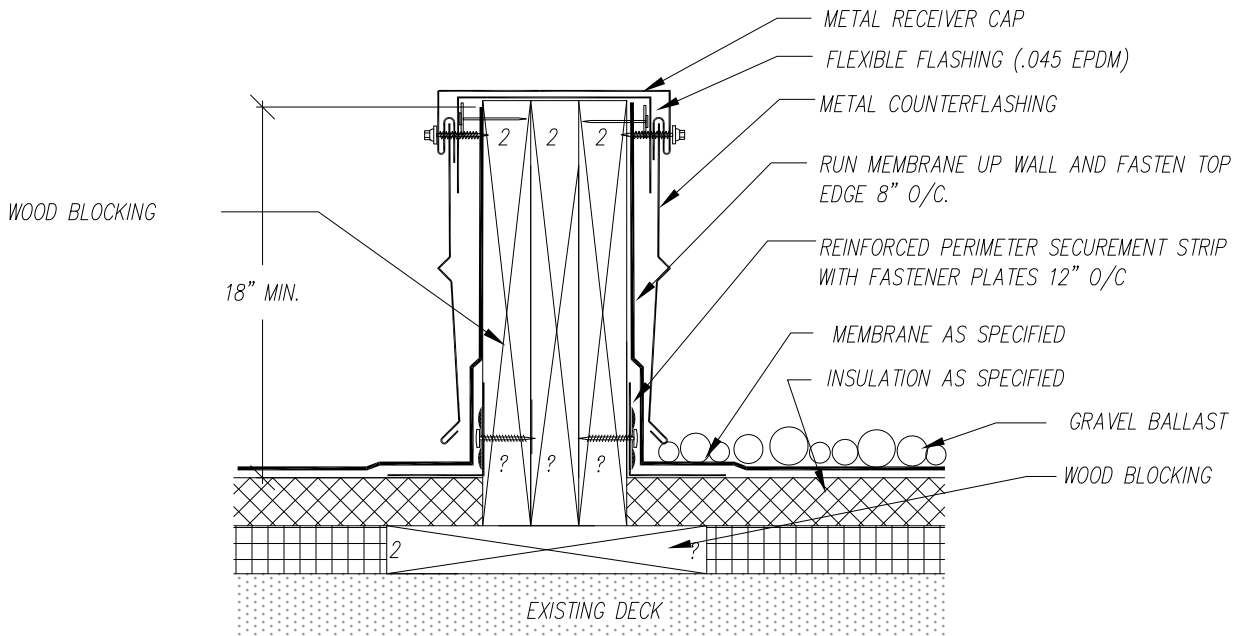
SEE SECTION 07 53 23
FOR INSTALLATION INSTRUCTIONS

Pressure Treated Plywood and Lumber: These products shall not be specified or provided for use in roofing projects as a substrate material

 <p>State of Wisconsin Department of Administration Division of Facilities Development</p>	<p>TYPICAL DFD STANDARD BALLASTED EPDM DETAIL</p>	Scale	NO
		DFD Number	
Agency / Institution:	Sheet Title: ROOF HATCH DETAIL	Set Type	RD.
		Date Issued	
	Rev-10/01/2012	Sheet Number	A4.16

NOTE:

- 1: ROOF HATCH SHALL BE PROVIDED TO MAINTAIN A 8" MIN. FINISHED FLASHING HEIGHT.
- 2: PROVIDE TAPERED SADDLES BEHIND CURBS.
- 3: PROVIDE METAL COUNTER FLASHING AT ALL CURBS ETC.
- 4: RUN METAL COUNTER FLASHING DOWN TO WITHIN 1/2" FROM ROOF LINE TO PROTECT MEMBRANE FLASHINGS
- 5: IF OVER 8" ADD STIFFENING RIB TO COUNTER FLASHING



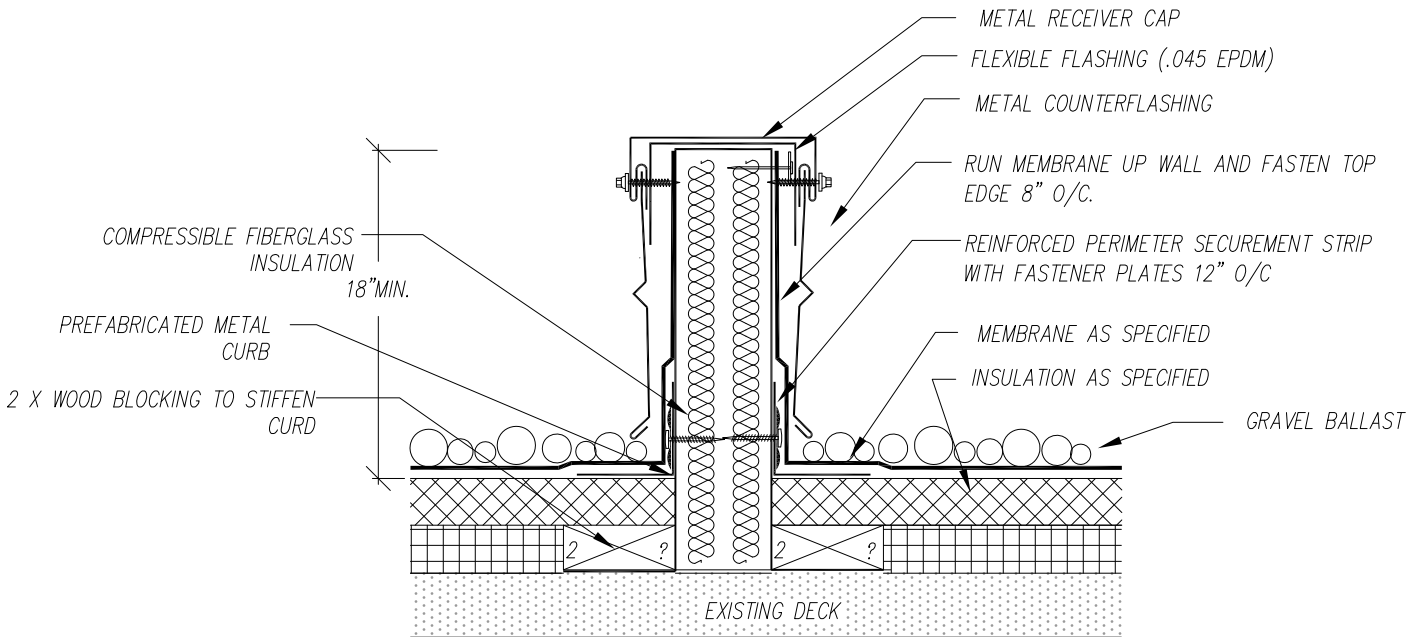
1 WOOD BUILD SLEEPER CURB DETAIL
 A4.17 NO SCALE:
**SEE SECTION 07 53 23
 FOR INSTALLATION INSTRUCTIONS**

Pressure Treated Plywood and Lumber: These products shall not be specified or provided for use in roofing projects as a substrate material

 <p>State of Wisconsin Department of Administration Division of Facilities Development</p>	<p>TYPICAL DFD STANDARD BALLASTED EPDM DETAIL</p>	Scale	NO
		DFD Number	
Agency / Institution:	Sheet Title: SLEEPER CURB SUPPORT DETAIL Rev-10/01/2012	Set Type	RD.
		Date Issued	
		Sheet Number	A4.17

NOTE:

- 1: ROOF HATCH SHALL BE PROVIDED TO MAINTAIN A 8" MIN. FINISHED FLASHING HEIGHT.
- 2: PROVIDE TAPERED SADDLES BEHIND CURBS.
- 3: PROVIDE METAL COUNTER FLASHING AT ALL CURBS ETC.
- 4: RUN METAL COUNTER FLASHING DOWN TO WITHIN 1/2" FROM ROOF LINE TO PROTECT MEMBRANE FLASHINGS
- 5: IF OVER 8" ADD STIFFENING RIB TO COUNTER FLASHING



1
A4.18

PREFAB. METAL SLEEPER CURB DETAIL

NO SCALE:

SEE SECTION 07 53 23
FOR INSTALLATION INSTRUCTIONS

Pressure Treated Plywood and Lumber: These products shall not be specified or provided for use in roofing projects as a substrate material



State of Wisconsin
Department of Administration
Division of Facilities Development

TYPICAL DFD STANDARD
BALLASTED EPDM DETAIL

Scale NO

DFD Number
Set Type RD.
Date Issued

Agency / Institution:

Sheet Title:
SLEEPER CURB DETAIL

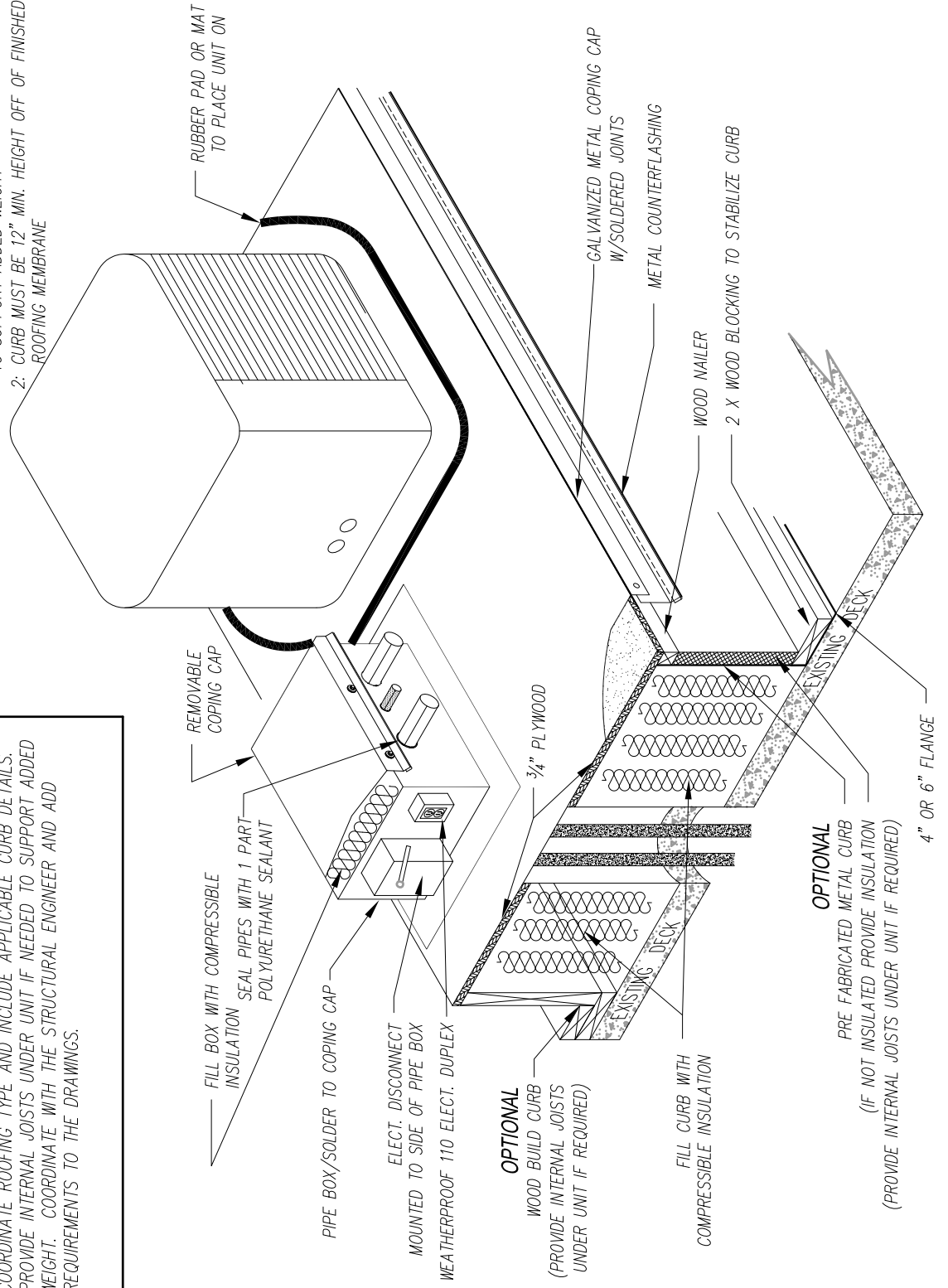
Rev-10/01/2012

Sheet Number **A4.18**

NOTE:

- 1: PROVIDE INTERNAL JOISTS UNDER UNIT IF NEEDED TO SUPPORT ADDED WEIGHT
- 2: CURB MUST BE 12" MIN. HEIGHT OFF OF FINISHED ROOFING MEMBRANE

NOTES TO SPECIFIER:
 COORDINATE ROOFING TYPE AND INCLUDE APPLICABLE CURB DETAILS.
 PROVIDE INTERNAL JOISTS UNDER UNIT IF NEEDED TO SUPPORT ADDED WEIGHT. COORDINATE WITH THE STRUCTURAL ENGINEER AND ADD REQUIREMENTS TO THE DRAWINGS.



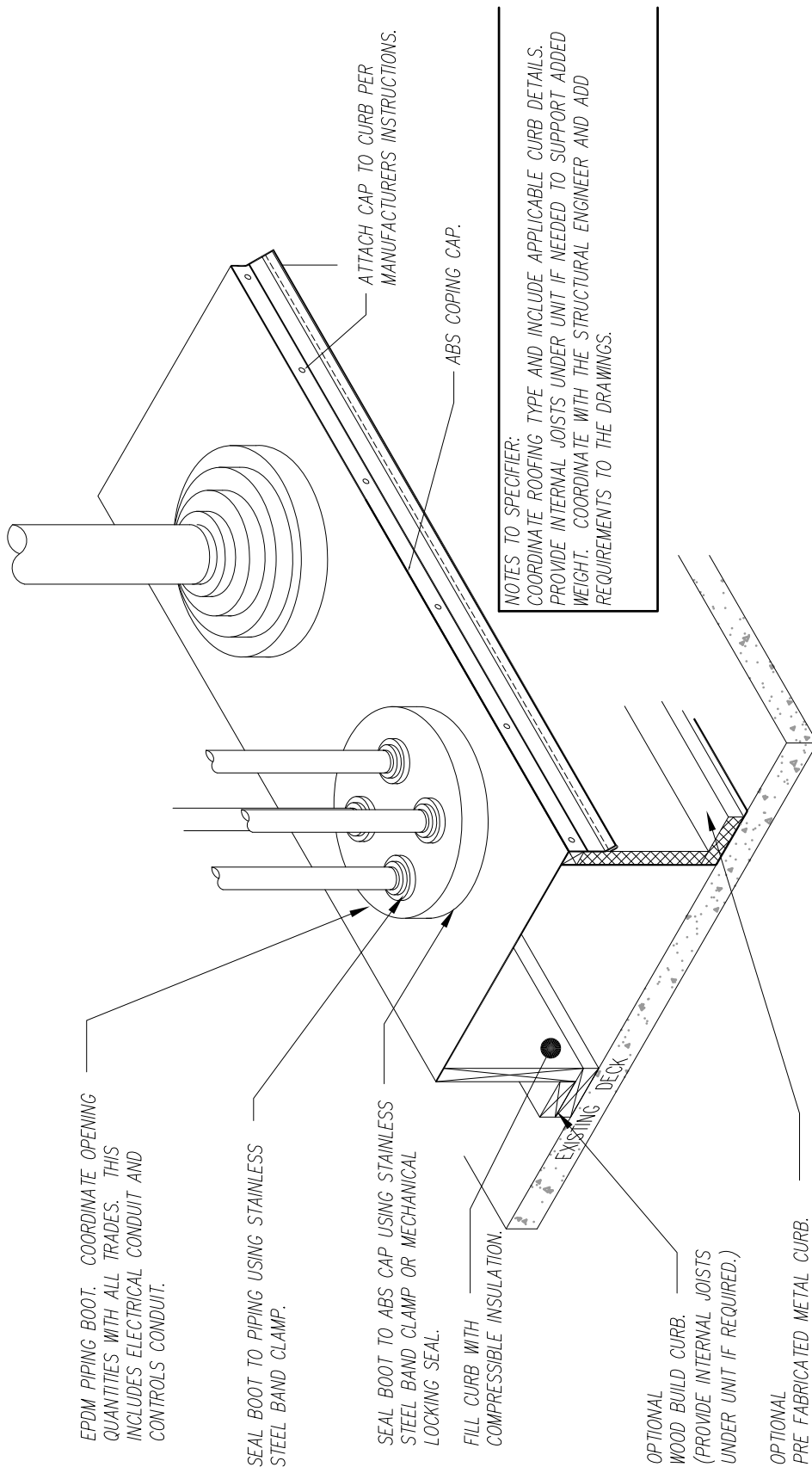
EQUIPMENT SUPPORT W/PIPE CHASE DETAIL

NO SCALE:

1
A4.19

Pressure Treated Plywood and Lumber: These products shall not be specified or provided for use in roofing projects as a substrate material

<p>State of Wisconsin Department of Administration Division of Facilities Development</p>	<p>TYPICAL DFD STANDARD BALLASTED EPDM DETAIL</p>	Scale	NO
		<p>Agency / Institution:</p>	<p>Sheet Title: EQUIPMENT SUPPORT DETAIL</p>
<p>Rev-10/01/2012</p>	<p>Sheet Number</p>	<p>A4.19</p>	



1 MULTIPLE PIPE PENETRATIONS THRU ROOF DETAIL

NO SCALE:

A4.20

Pressure Treated Plywood and Lumber: These products shall not be specified or provided for use in roofing projects as a substrate material



State of Wisconsin
 Department of Administration
 Division of Facilities Development

Agency / Institution:

TYPICAL DFD STANDARD
 BALLASTED EPDM DETAIL

Sheet Title:

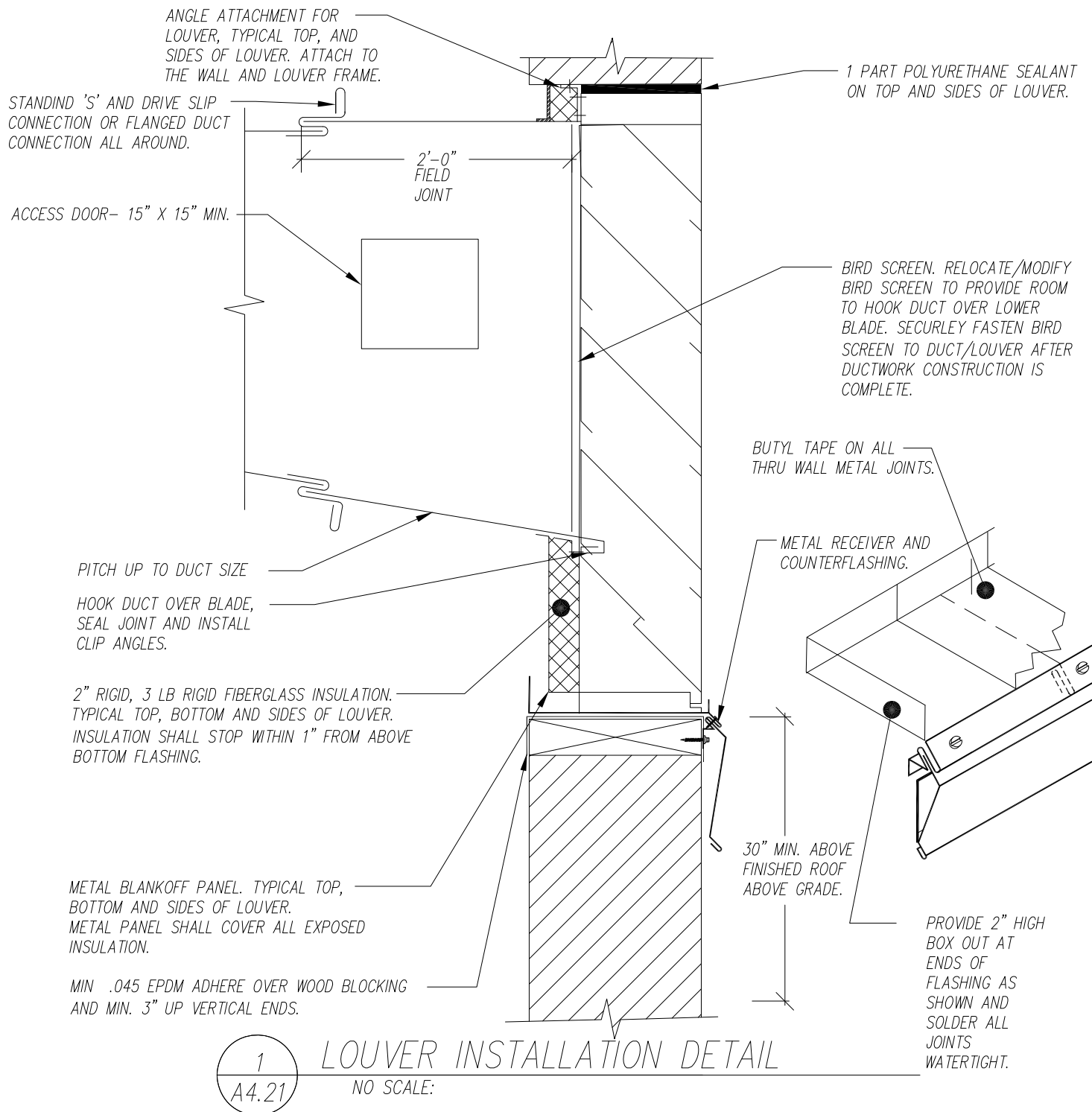
MULTIPLE PIPE SUPPORT DETAIL

Rev-10/01/2012

Scale	NO
DFD Number	
Set Type	RD.
Date Issued	

Sheet Number


A4.20

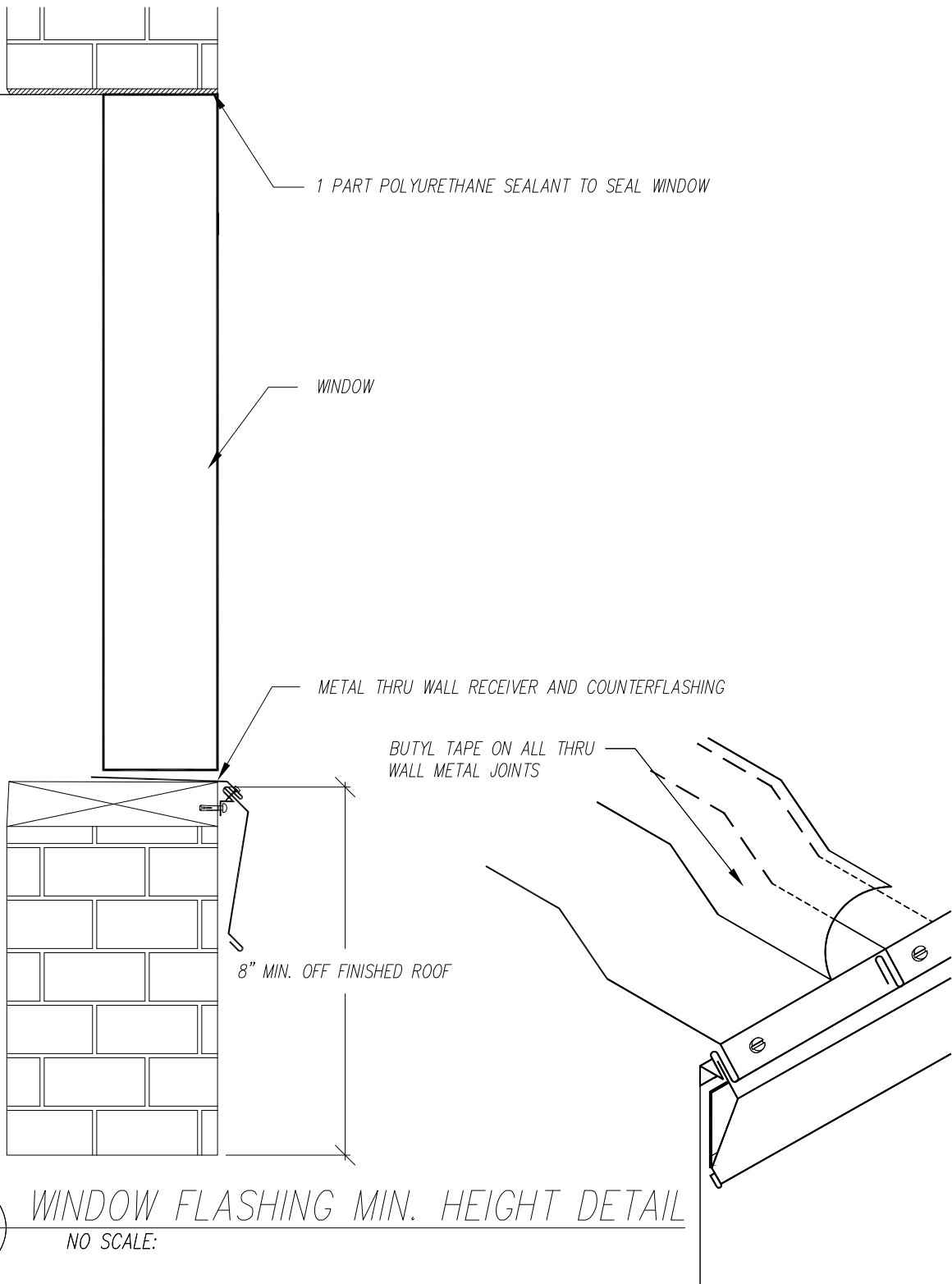


NOTES:

1: SEAL ALL DUCT JOINTS, CORNERS AND SEAMS WATERTIGHT USING SEALANT AND OR SOLDERING. REFER TO SPECIFICATION SECTION 23 31 00 FOR ACCEPTABLE SEALANTS TO BE UTILIZED IN DUCT SYSTEMS

NOTES TO SPECIFIER:
COORDINATE ACCESS DOOR SIZES AND LOCATIONS FOR EACH INDIVIDUAL PROJECT. THE SIZE LISTED IS A MINIMUM SIZE INTENDED TO BE USED FOR SMALLER SIZE LOUVERS/DUCTS AND SHOULD NOT BE UTILIZED FOR ALL DESIGNS.


 <p>State of Wisconsin Department of Administration Division of Facilities Development</p>	<p>TYPICAL DFD STANDARD BALLASTED EPDM DETAIL</p>	Scale	NO
		DFD Number	
Agency / Institution:	Sheet Title: <i>LOUVER INSTALLATION DETAIL</i>	Set Type	RD.
		Date Issued	
	Rev-10/01/2012	Sheet Number	A4.21



1
A4.22

WINDOW FLASHING MIN. HEIGHT DETAIL

NO SCALE:



State of Wisconsin
Department of Administration
Division of Facilities Development

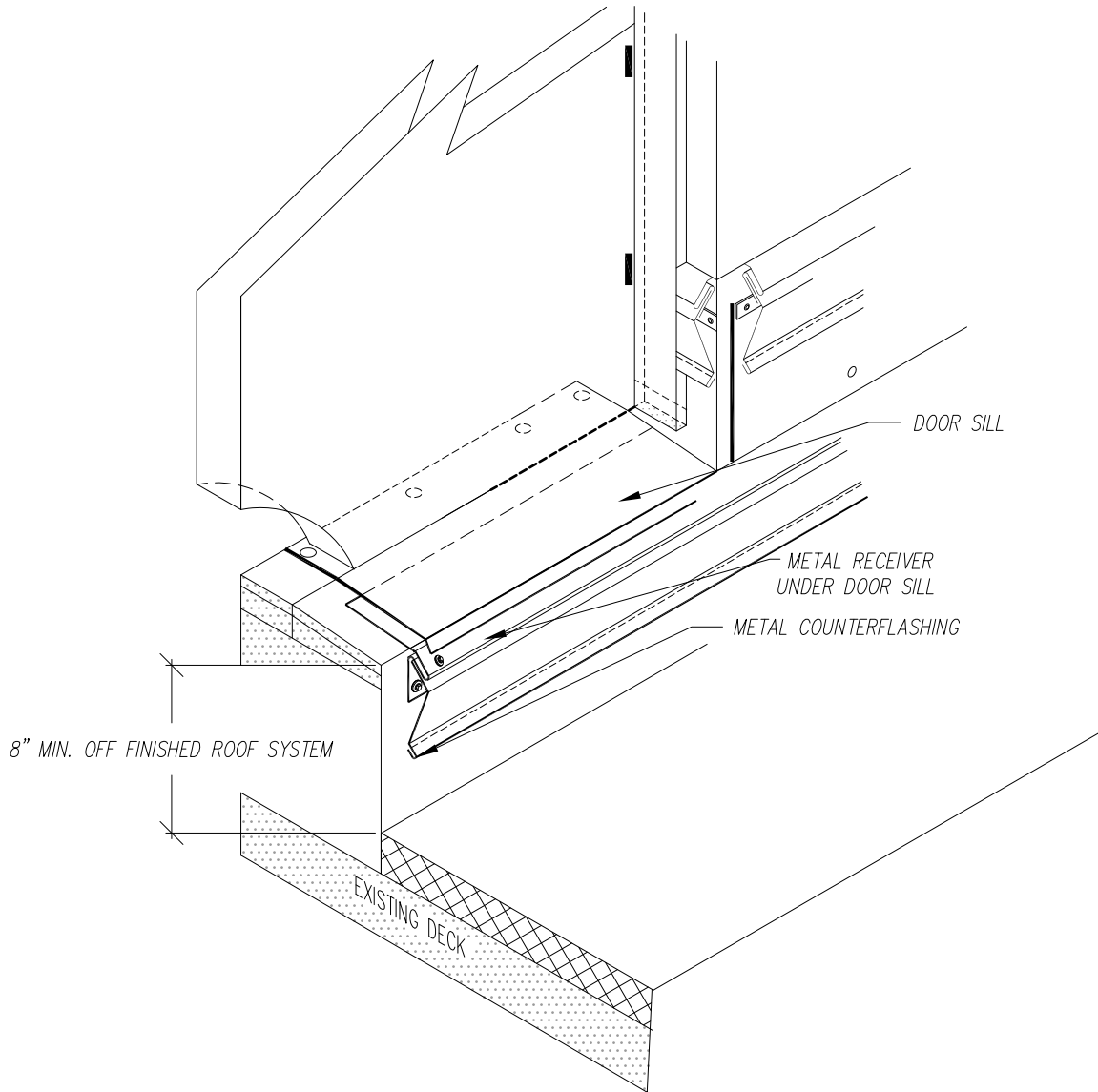
Agency / Institution:

TYPICAL DFD STANDARD
BALLASTED EPDM DETAIL

Sheet Title:
WINDOW FLASHING DETAIL

Rev-10/01/2012

Scale	NO
DFD Number	
Set Type	RD.
Date Issued	
Sheet Number	A4.22



1
A4.23

DOOR FLASHING MIN. HEIGHT DETAIL

NO SCALE:



State of Wisconsin
Department of Administration
Division of Facilities Development

TYPICAL DFD STANDARD
BALLASTED EPDM DETAIL

Scale	NO
DFD Number	
Set Type	RD.
Date Issued	

Agency / Institution:

Sheet Title:

DOOR FLASHING DETAIL

Rev-10/01/2012

Sheet Number

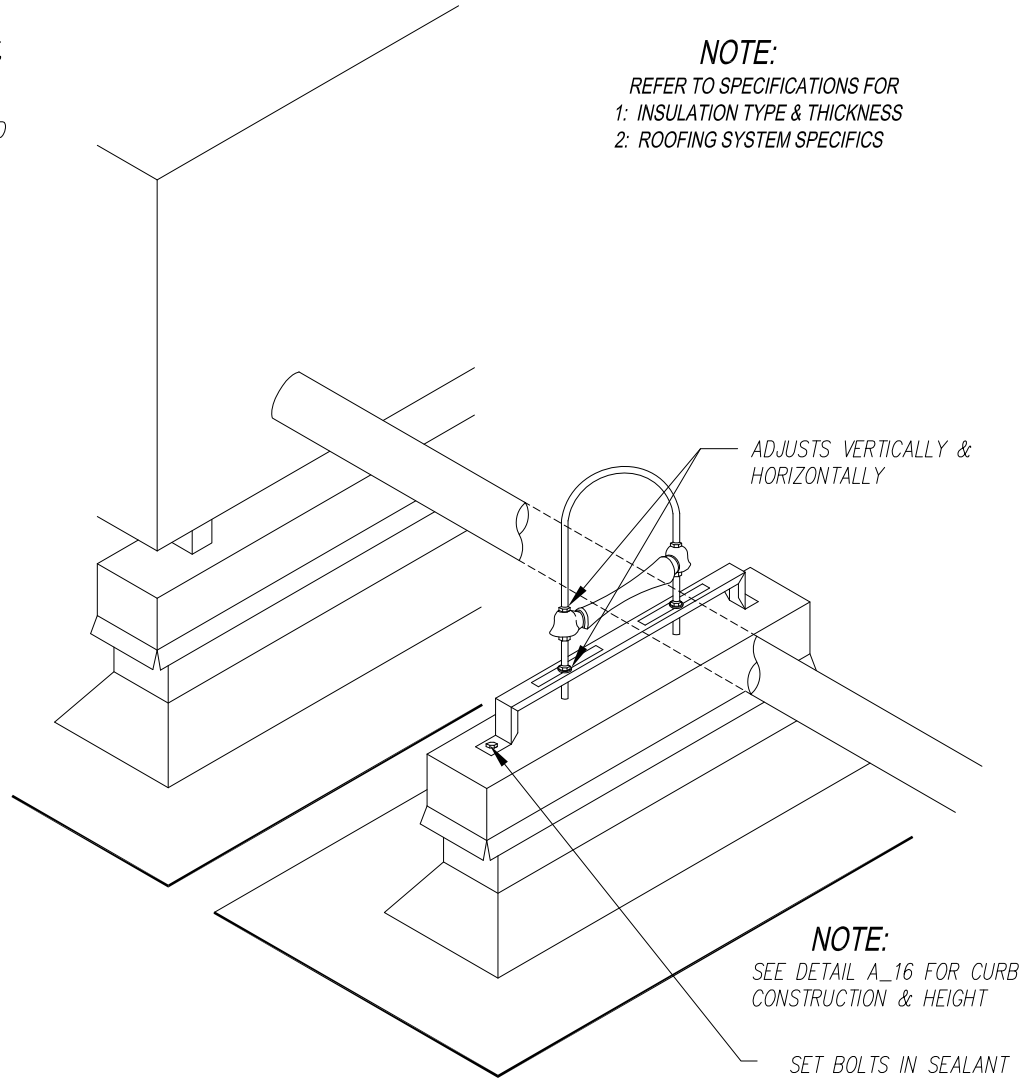
A4.23

NOTE:

- 1: THESE DRAWINGS ARE FOR INFORMATIONAL PURPOSES ONLY, CONSTRUCTION MAY VARY FOR DIFFERENT APPLICATIONS
- 2: SEE TABLE BELOW FOR REQUIRED HEIGHTS & WIDTHS

NOTE:

- 1: INSULATION TYPE & THICKNESS
- 2: ROOFING SYSTEM SPECIFICS



WIDTH OF EQUIPMENT	OFF FINISHED ROOF
UP TO 36"	18"
37" AND UP	36"

1
A4.24

WOOD BUILD PIPE SUPPORT DETAIL

NO SCALE:



State of Wisconsin
Department of Administration
Division of Facilities Development

TYPICAL DFD STANDARD
BALLASTED EPDM DETAIL

Scale	NO
DFD Number	
Set Type	RD.
Date Issued	

Agency / Institution:

Sheet Title:

PIPE SUPPORT DETAIL

Rev-10/01/2012

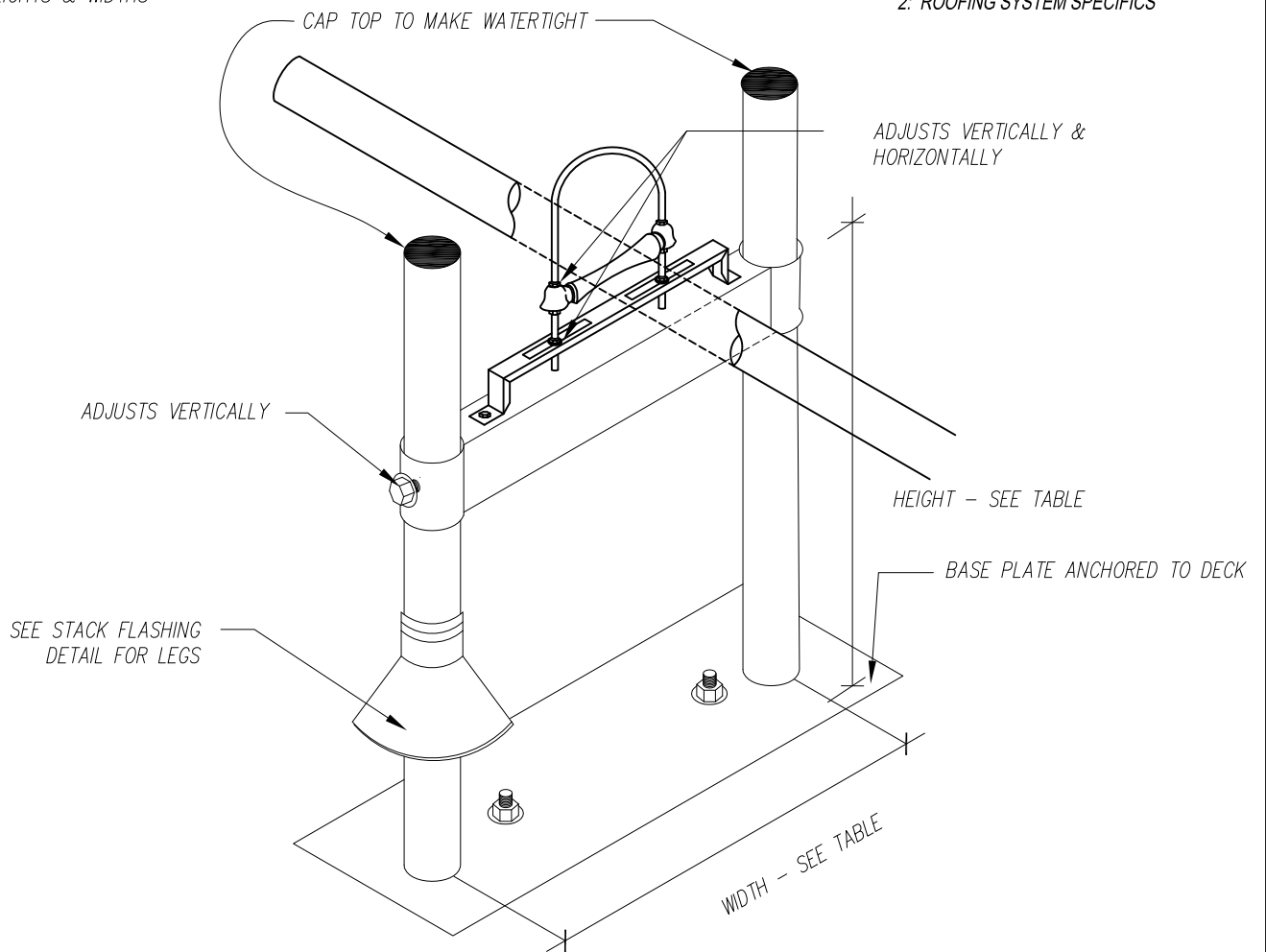
Sheet Number **A4.24**

NOTE:

- 1: THESE DRAWINGS ARE FOR INFORMATIONAL PURPOSES ONLY, CONSTRUCTION MAY VARY FOR DIFFERENT APPLICATIONS
- 2: SEE TABLE BELOW FOR REQUIRED HEIGHTS & WIDTHS

NOTE:

- REFER TO SPECIFICATIONS FOR
- 1: INSULATION TYPE & THICKNESS
- 2: ROOFING SYSTEM SPECIFICS



WIDTH OF EQUIPMENT	OFF FINISHED ROOF
UP TO 36"	18"
37" AND UP	36"

1
A4.25

IRON BUILD PIPE SUPPORT DETAIL

NO SCALE:



State of Wisconsin
Department of Administration
Division of Facilities Development

TYPICAL DFD STANDARD
BALLASTED EPDM DETAIL

Scale	NO
DFD Number	
Set Type	RD.
Date Issued	

Sheet Title:

PIPE SUPPORT DETAIL

Rev-10/01/2012

Sheet Number	A4.25
--------------	--------------

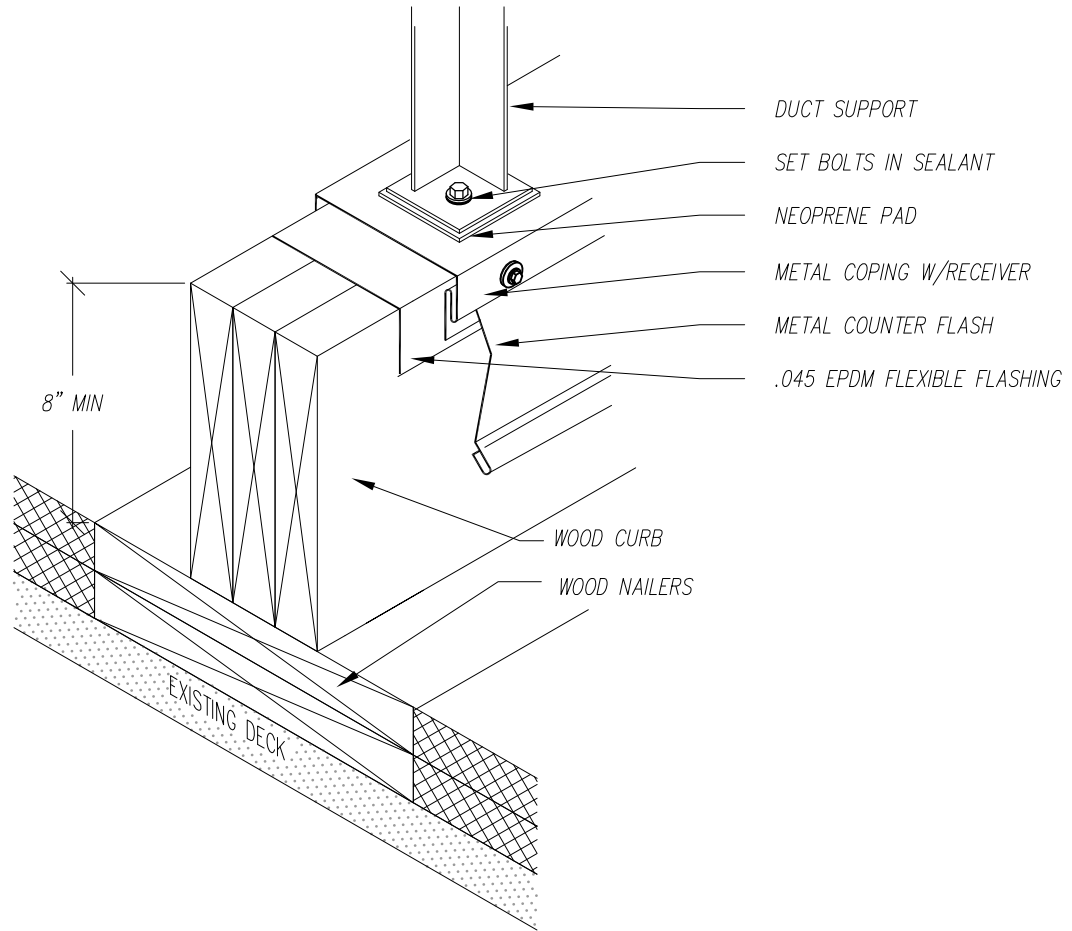
Agency / Institution:

NOTE:

- 1: THESE DRAWINGS ARE FOR INFORMATIONAL PURPOSES ONLY, CONSTRUCTION MAY VARY FOR DIFFERENT APPLICATIONS
- 2: SEE TABLE BELOW FOR REQUIRED HEIGHTS & WIDTHS

NOTE:

- REFER TO SPECIFICATIONS FOR
- 1: INSULATION TYPE & THICKNESS
- 2: ROOFING SYSTEM SPECIFICS



WIDTH OF EQUIPMENT	OFF FINISHED ROOF
UP TO 36"	18"
37" AND UP	36"

1
A4.26

WOOD BUILD DUCT SUPPORT DETAIL

NO SCALE:

Pressure Treated Plywood and Lumber: These products shall not be specified or provided for use in roofing projects as a substrate material



**State of Wisconsin
Department of Administration
Division of Facilities Development**

Agency / Institution:

**TYPICAL DFD STANDARD
BALLASTED EPDM DETAIL**

Sheet Title:

DUCT SUPPORT DETAIL Rev-10/01/2012

Scale	NO
DFD Number	
Set Type	RD.
Date Issued	

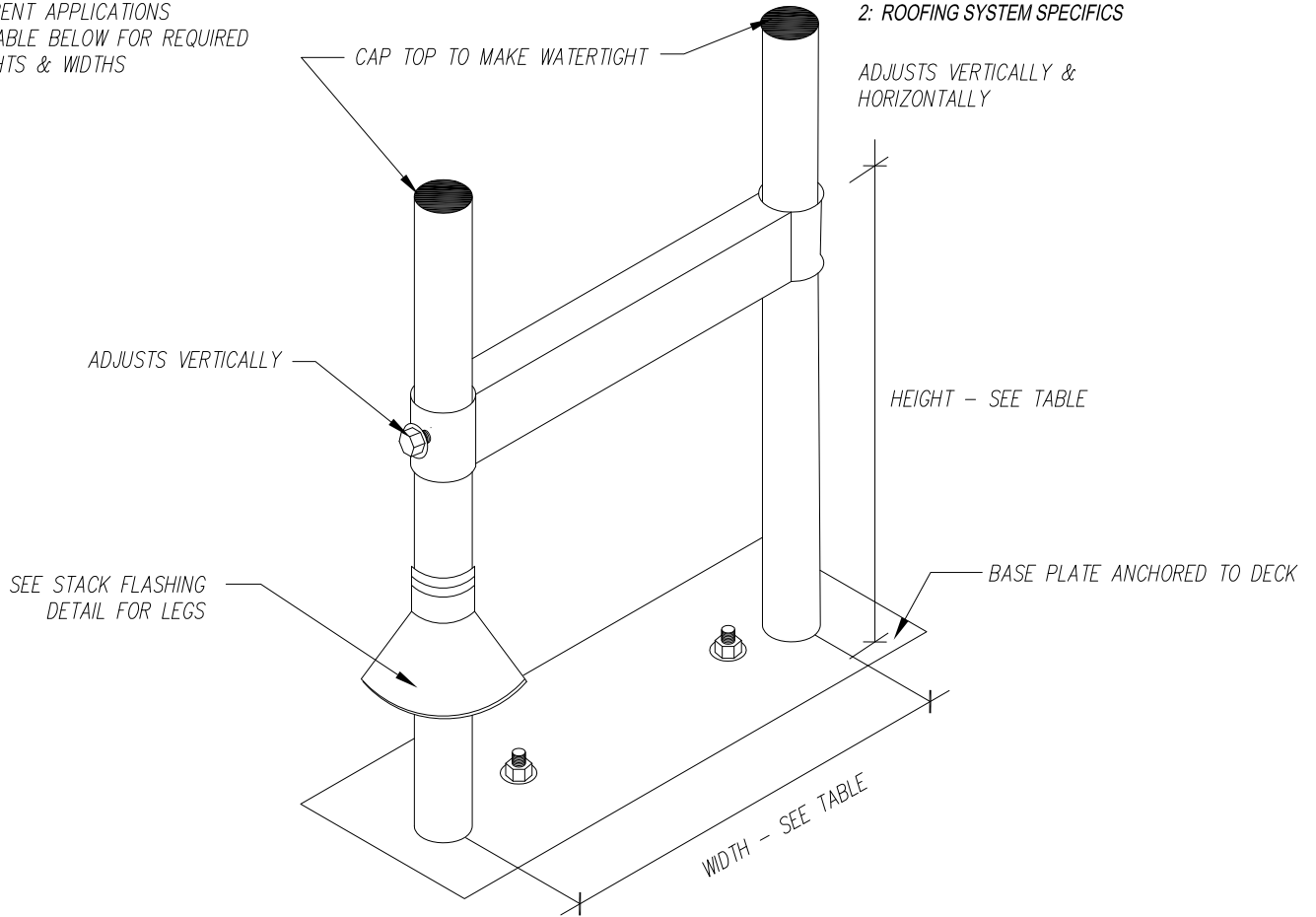
Sheet Number **A4.26**

NOTE:

- 1: THESE DRAWINGS ARE FOR INFORMATIONAL PURPOSES ONLY, CONSTRUCTION MAY VARY FOR DIFFERENT APPLICATIONS
- 2: SEE TABLE BELOW FOR REQUIRED HEIGHTS & WIDTHS

NOTE:

- REFER TO SPECIFICATIONS FOR
- 1: INSULATION TYPE & THICKNESS
- 2: ROOFING SYSTEM SPECIFICS



WIDTH OF EQUIPMENT	OFF FINISHED ROOF
UP TO 36"	18"
37" AND UP	36"

1
A4.27

ADJUSTABLE DUCT SUPPORT DETAIL

NO SCALE:



State of Wisconsin
Department of Administration
Division of Facilities Development

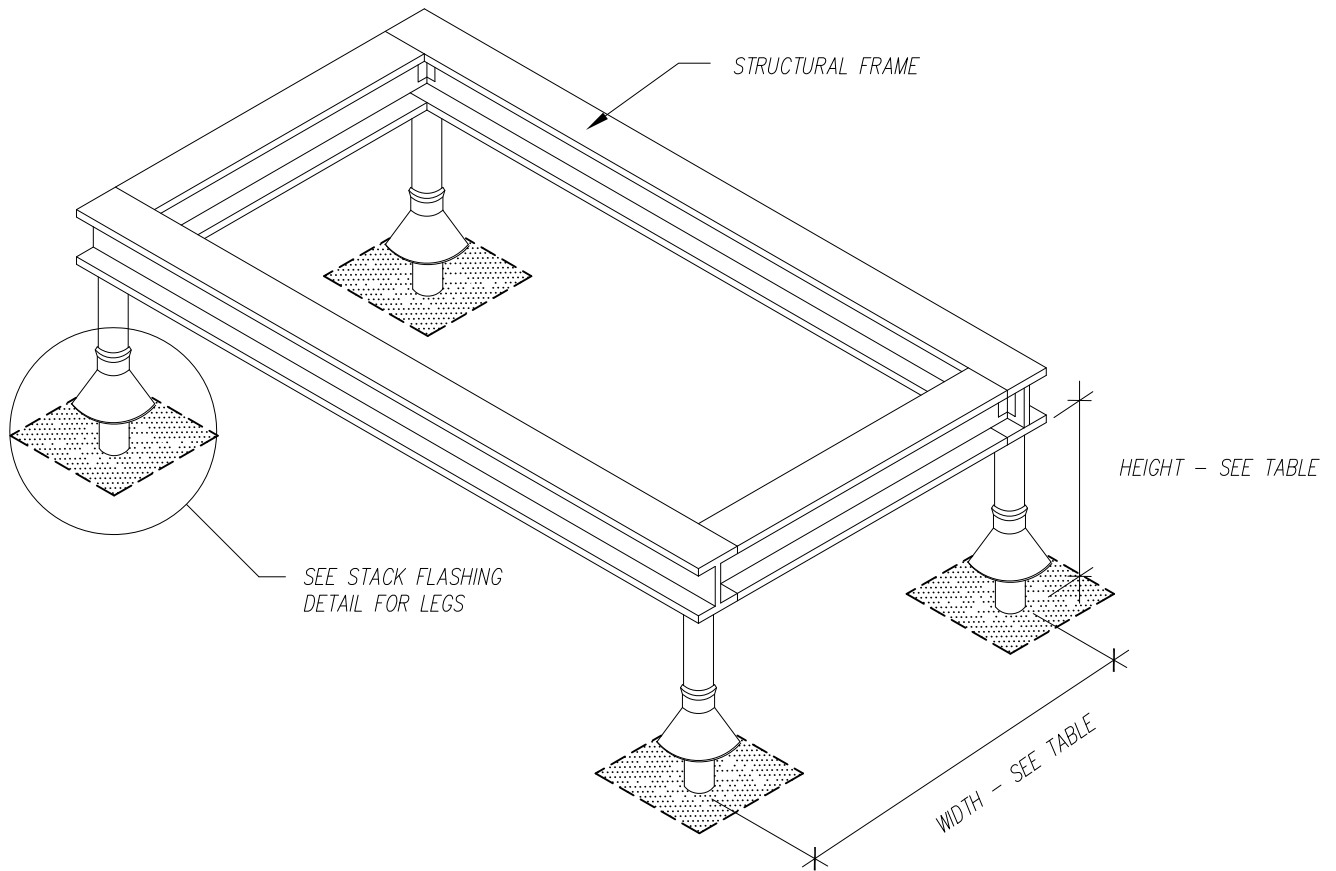
Agency / Institution:

TYPICAL DFD STANDARD
BALLASTED EPDM DETAIL

Sheet Title:

DUCT SUPPORT DETAIL Rev-10/01/2012

Scale	NO
DFD Number	
Set Type	RD.
Date Issued	
Sheet Number	A4.27



WIDTH OF EQUIPMENT	OFF FINISHED ROOF
UP TO 36"	18"
37" AND UP	36"

1
A4.28

 EQUIPMENT SUPPORT STAND DETAIL
 NO SCALE:

<p>State of Wisconsin Department of Administration Division of Facilities Development</p>	<p>TYPICAL DFD STANDARD BALLASTED EPDM DETAIL</p>	Scale	NO
		DFD Number	RD.
Agency / Institution:	Sheet Title:	Date Issued	Sheet Number
	EQUIPMENT SUPPORT DETAIL	Rev-10/01/2012	A4.28