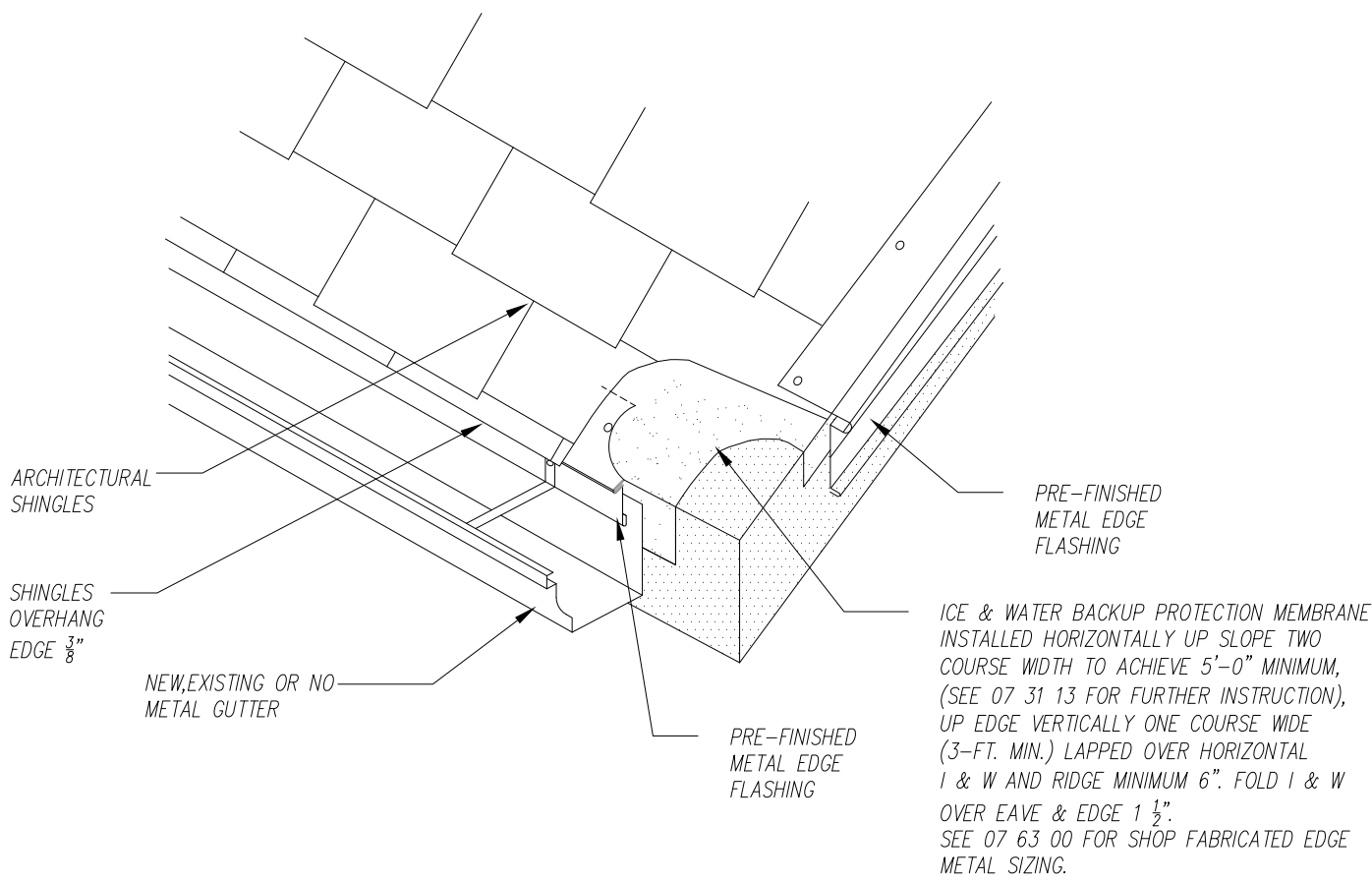


# A-700 Shingle

- A7.1 Eave & Rake Flashing Detail
- A7.2 Valley Detail
- A7.3 Step Flashing/ Siding Detail
- A7.4 Step Flashing Detail / Reglet Detail
- A7.5 Apron Flashing
- A7.6 Surface Mount Counterflash Detail
- A7.7 Vent Stack Detail
- A7.8 Vented Ridge Cap Detail
- A7.9 Vented top Edge Detail
- A7.10 Vented Ridge/ Nailbase Detail
- A7.11 Vented Drip Edge/ Nailbase Detail
- A7.12 Vented Gutter Edge/ Nailbase Detail

**Click for DFD Master  
Specifications**

SEE SECTION 07 31 13  
FOR INSTALLATION INSTRUCTIONS



1  
A7.1

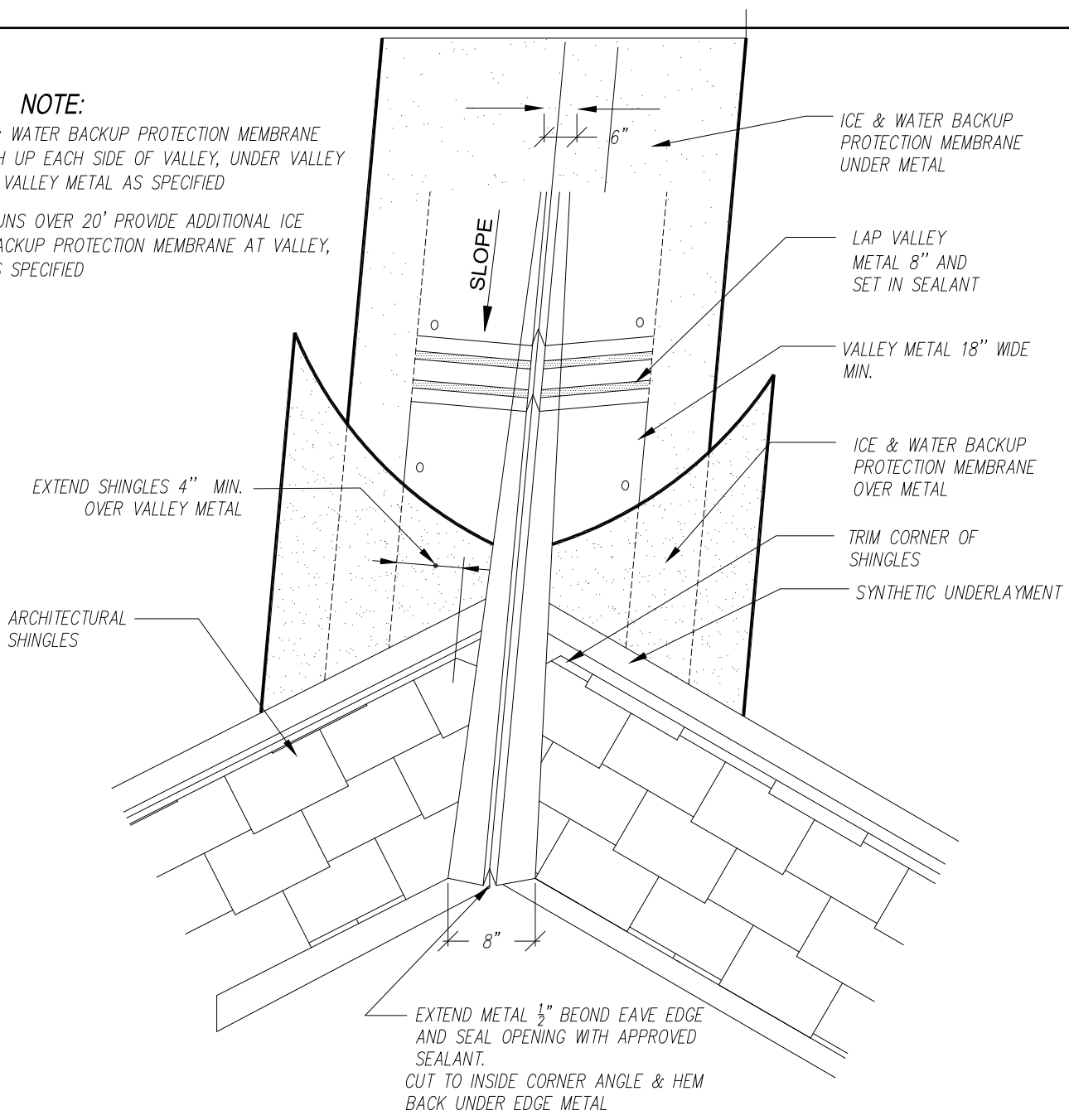
EAVE & RAKE FLASHING DETAIL

NO SCALE:

 <p>State of Wisconsin Department of Administration Division of Facilities Development</p>	<p>TYPICAL DFD STANDARD</p> <p>ASPHALT SHINGLE ROOFING DETAIL</p> <p>Project Location:</p>	Scale	NO
		DFD Number	
<p>Agency / Institution:</p>	<p>EAVE &amp; RAKE DETAIL Rev-01/27/2015</p>	Set	RD.
		Date Issued	
		Sheet Number	A7.1

**NOTE:**

- 1: INSTALL ICE & WATER BACKUP PROTECTION MEMBRANE ONE ROLL WIDTH UP EACH SIDE OF VALLEY, UNDER VALLEY METAL & OVER VALLEY METAL AS SPECIFIED
- 2: AT VALLEY RUNS OVER 20' PROVIDE ADDITIONAL ICE AND WATER BACKUP PROTECTION MEMBRANE AT VALLEY, OVER DECK AS SPECIFIED




1  
A7.2

**VALLEY DETAIL**

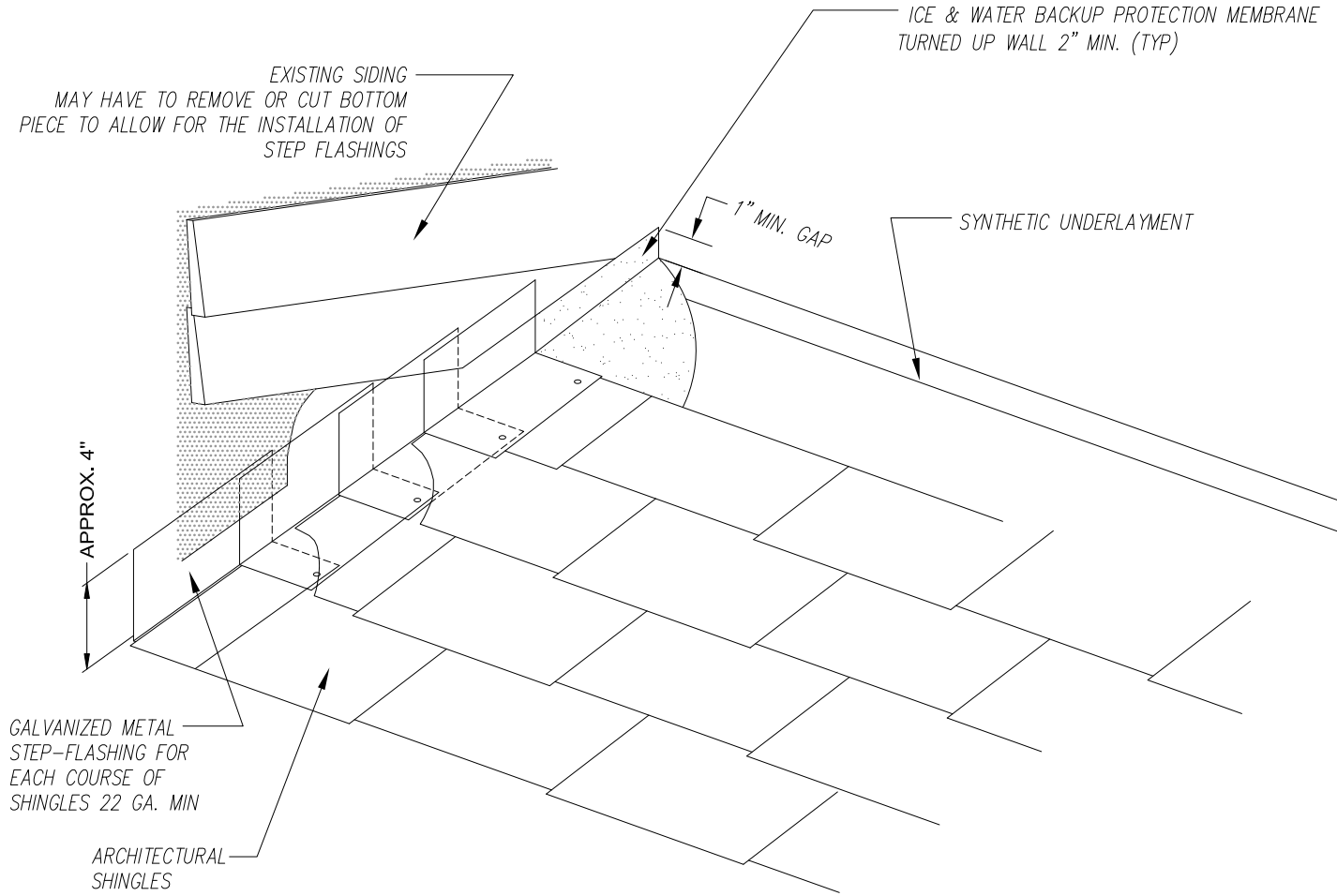
NO SCALE:

**SEE SECTION 07 31 13  
FOR INSTALLATION INSTRUCTIONS**

 <p><b>State of Wisconsin Department of Administration Division of Facilities Development</b></p>	<p><b>TYPICAL DFD STANDARD ASPHALT SHINGLE ROOFING DETAIL</b></p> <p>Project Location:</p>	Scale	NO
		DFD Number	
Agency / Institution:	<p>VALLEY DETAIL</p> <p>Rev-10/01/2012</p>	Set Type	RD.
		Sheet Number	<b>A7.2</b>

**NOTE:**

INSTALL ICE & WATER BACKUP PROTECTION MEMBRANE  
 ONE ROLL WIDTH  
 AROUND ALL PENETRATIONS ,PERIMETER RAKE EDGES, & HIGHER  
 ELEVATIONS,(TURN UP WALL 4" MIN.)



1  
A7.3

STEP FLASHING/SIDING DETAIL

NO SCALE:

SEE SECTION 07 31 13  
 FOR INSTALLATION INSTRUCTIONS



State of Wisconsin  
 Department of Administration  
 Division of Facilities Development

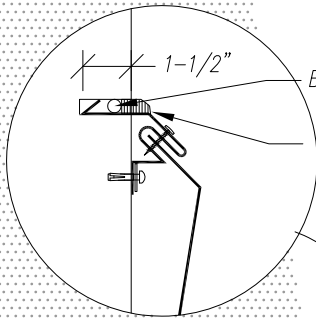
Agency / Institution:

TYPICAL DFD STANDARD  
 ASPHALT SHINGLE ROOFING DETAIL  
 Project Location:

STEP FLASHING/SIDING DETAIL

Rev-10/01/2012

Scale	NO
DFD Number	
Set Type	RD.
Date Issued	
Sheet Number	A7.3



BACKER ROD  
1 PART POLYURETHANE SEALANT

**NOTE:**

INSTALL ICE & WATER BACKUP PROTECTION MEMBRANE ONE ROLL WIDTH AROUND ALL PENETRATIONS, PERIMETER RAKE EDGES, & HIGHER ELEVATIONS, (TURN UP WALL 4" MIN.)

CUT REGLET AND INSTALL 2 PC. COUNTERFLASHING

ICE & WATER BACKUP PROTECTION MEMBRANE TURNED UP WALL

SYNTHETIC UNDERLAYMENT

APPROX. 4"

SHEET METAL STEP-FLASHING FOR EACH COURSE OF SHINGLES

ARCHITECTURAL SHINGLES

1 STEP FLASHING/REGLET DETAIL  
A7.4 NO SCALE:

SEE SECTION 07 31 13  
FOR INSTALLATION INSTRUCTIONS



State of Wisconsin  
Department of Administration  
Division of Facilities Development

Agency / Institution:

TYPICAL DFD STANDARD  
ASPHALT SHINGLE ROOFING DETAIL  
Project Location:

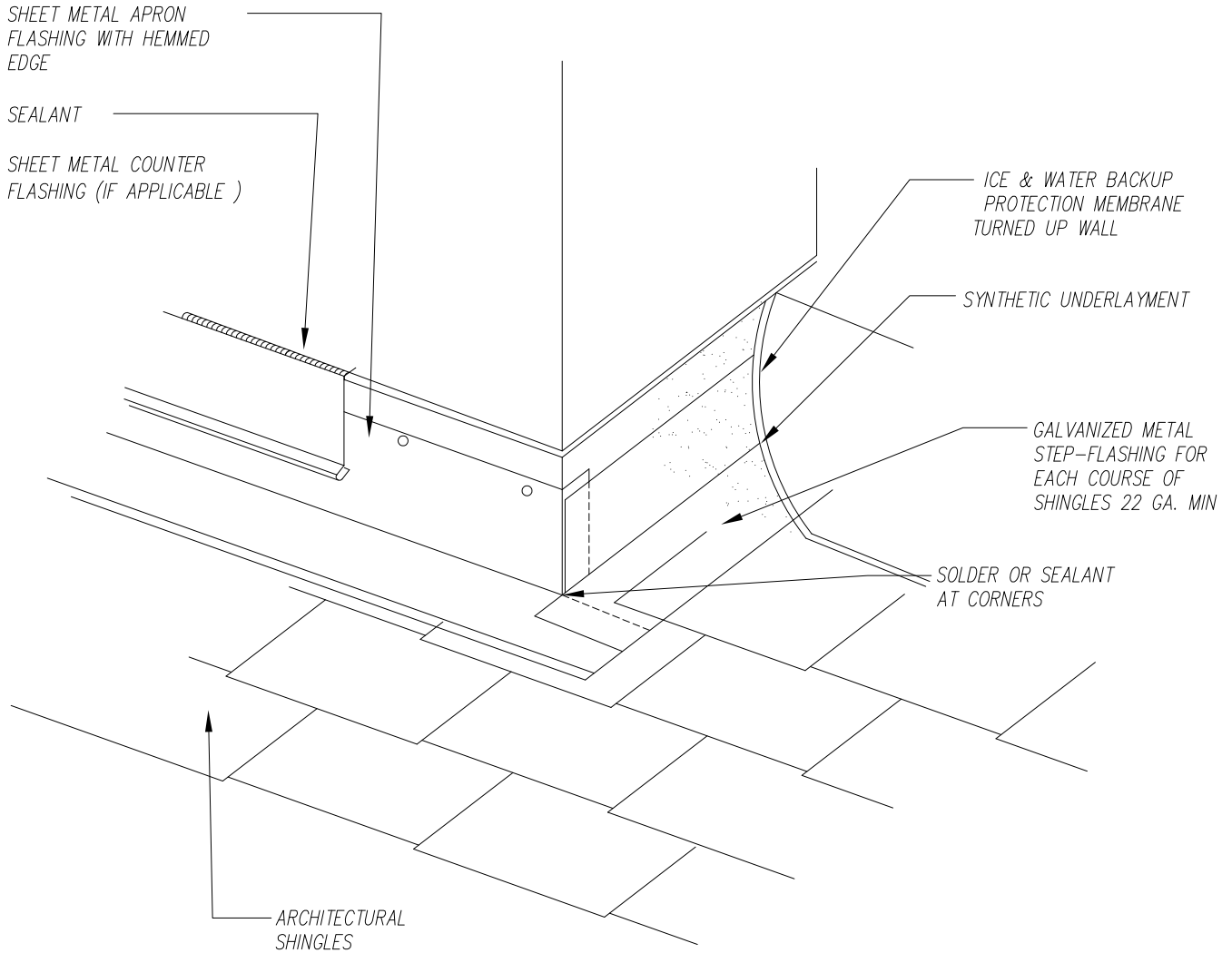
Scale	NO
DFD Number	
Set Type	RD.
Date Issued	

STEP FLASHING/REGLET DETAIL Rev-10/01/2012

Sheet Number **A7.4**

**NOTE:**

INSTALL ICE & WATER BACKUP PROTECTION MEMBRANE  
 ONE ROLL WIDTH  
 AROUND ALL PENETRATIONS ,PERIMETER RAKE EDGES, & HIGHER  
 ELEVATIONS,(TURN UP WALL 4" MIN.)



1  
A7.5

APRON FLASHING DETAIL

NO SCALE:

SEE SECTION 07 31 13  
 FOR INSTALLATION INSTRUCTIONS



State of Wisconsin  
 Department of Administration  
 Division of Facilities Development

Agency / Institution:

TYPICAL DFD STANDARD  
 ASPHALT SHINGLE ROOFING DETAIL  
 Project Location:

Scale	NO
DFD Number	
Set Type	RD.
Date Issued	

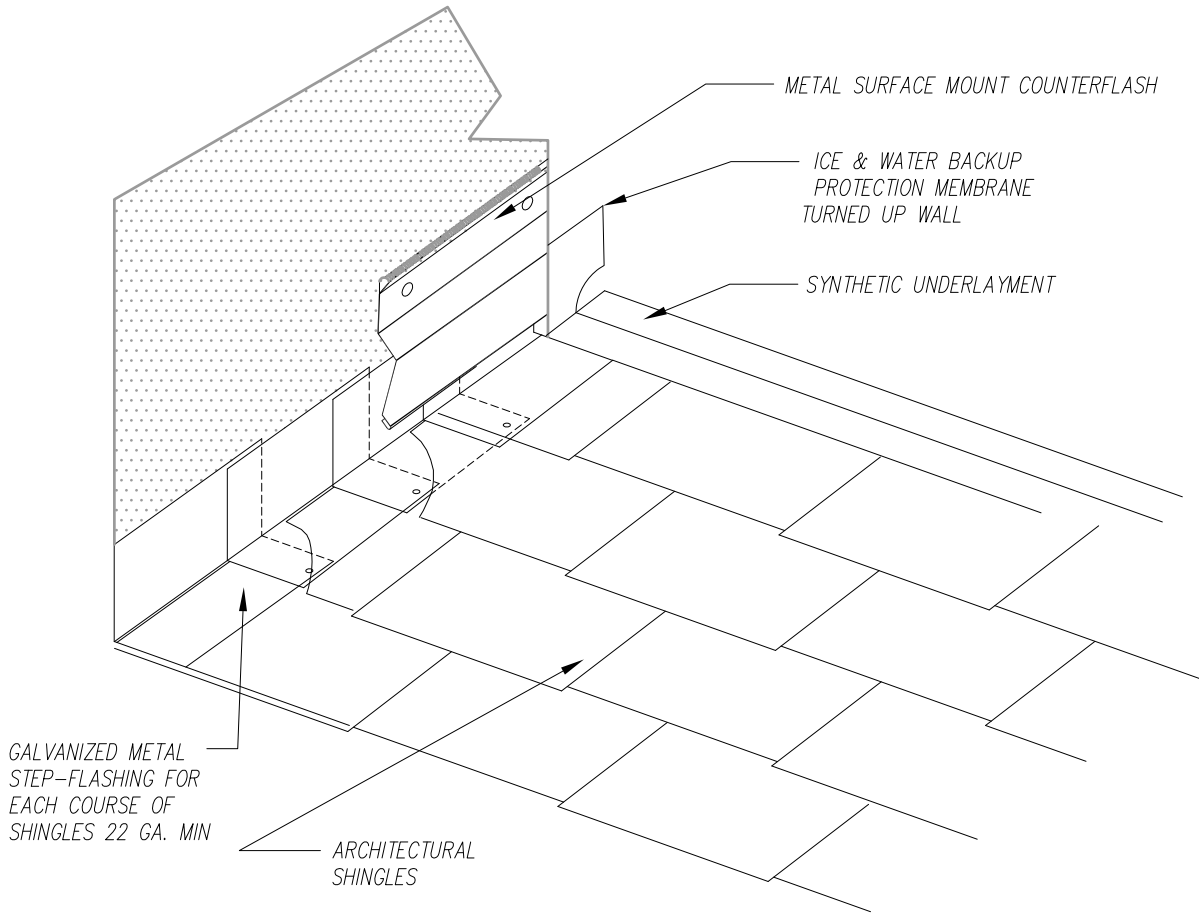
APRON FLASHING DETAIL

Rev-10/01/2012

Sheet Number **A7.5**

**NOTE:**

INSTALL ICE & WATER BACKUP PROTECTION MEMBRANE  
 ONE ROLL WIDTH  
 AROUND ALL PENETRATIONS ,PERIMETER RAKE EDGES, & HIGHER  
 ELEVATIONS,(TURN UP WALL 4" MIN.)



1  
A7.6

*SURFACE MOUNT COUNTERFLASH @ SHINGLE DETAIL*

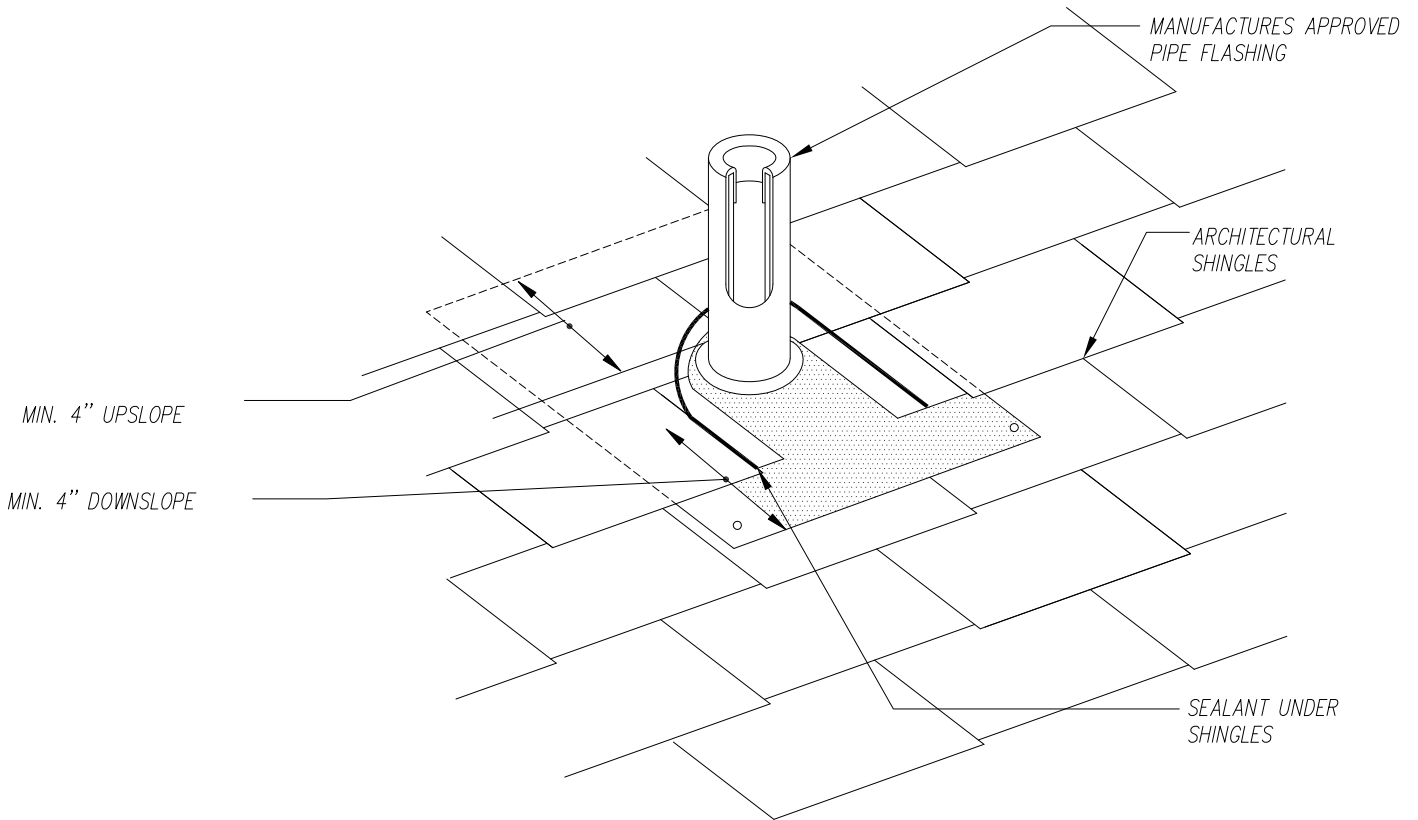
NO SCALE:

**SEE SECTION 07 31 13  
 FOR INSTALLATION INSTRUCTIONS**

 <p><b>State of Wisconsin          Department of Administration          Division of Facilities Development</b></p>	<p><b>TYPICAL DFD STANDARD</b></p> <p><b>ASPHALT SHINGLE ROOFING DETAIL</b></p> <p>Project Location:</p>	Scale	NO
		Sheet Number	A7.6
Agency / Institution:	<i>SURFACE MOUNT FLASHING DETAIL Rev-10/01/2012</i>	Sheet Number	<b>A7.6</b>

**NOTE:**

INSTALL ICE & WATER BACKUP PROTECTION MEMBRANE  
 ONE ROLL WIDTH  
 AROUND ALL PENETRATIONS ,PERIMETER RAKE EDGES, & HIGHER  
 ELEVATIONS,(TURN UP WALL 2" MIN.)



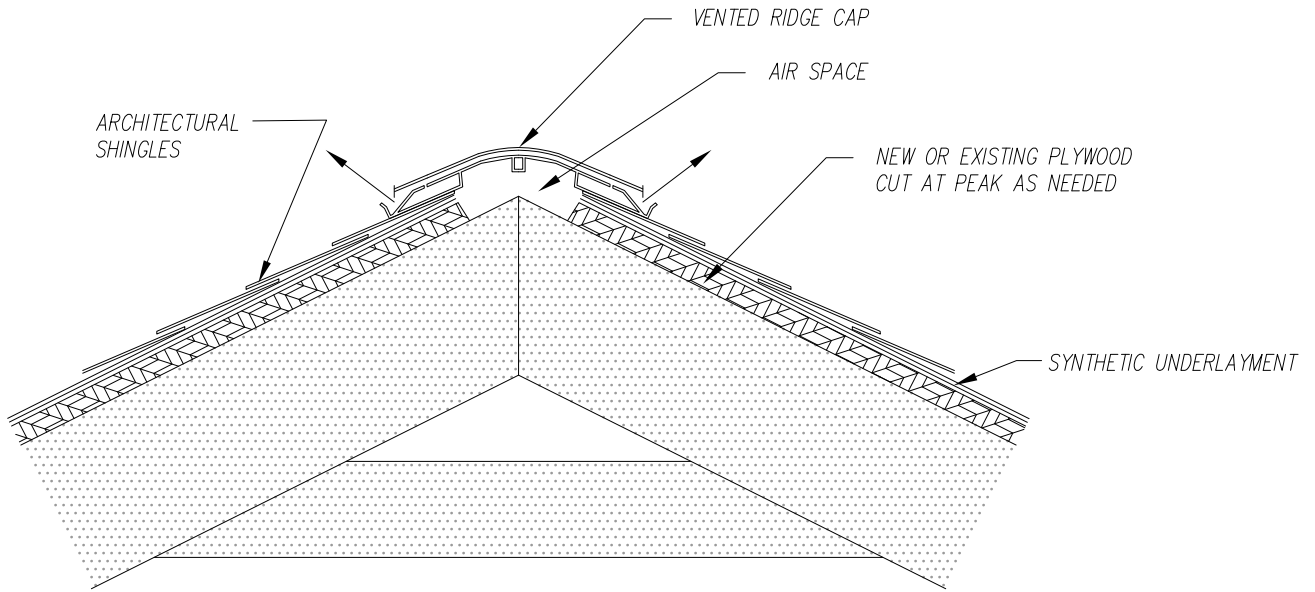
1  
A7.7

VENT STACK DETAIL  
 NO SCALE:

SEE SECTION 07 31 13  
 FOR INSTALLATION INSTRUCTIONS

 <p><b>State of Wisconsin</b>          Department of Administration          Division of Facilities Development</p>	<p><b>TYPICAL DFD STANDARD</b></p> <p><b>ASPHALT SHINGLE ROOFING DETAIL</b></p> <p>Project Location:</p>	Scale	NO
		DFD Number	
<p>Agency / Institution:</p>	<p>VENT STACK FLASHING DETAIL</p> <p>Rev-10/01/2012</p>	Set Type	RD.
		Date Issued	
		Sheet Number	<b>A7.7</b>





1  
A7.8

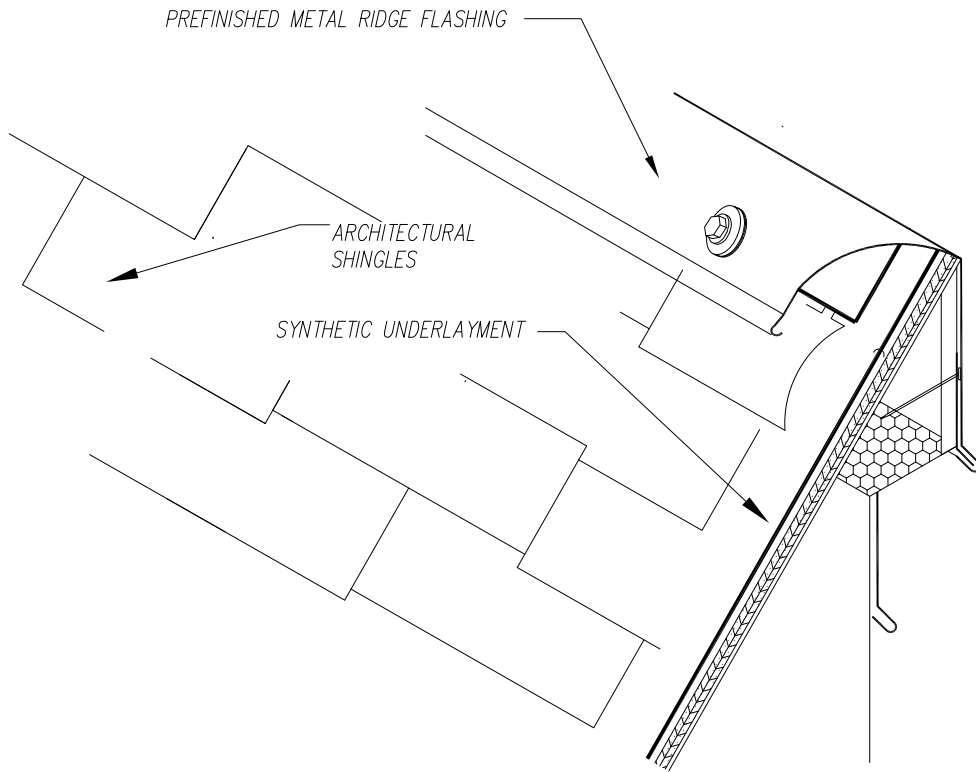
VENTED RIDGE DETAIL

NO SCALE:

SEE SECTION 07 31 13  
FOR INSTALLATION INSTRUCTIONS

 <p>State of Wisconsin Department of Administration Division of Facilities Development</p>	<p>TYPICAL DFD STANDARD</p> <p>ASPHALT SHINGLE ROOFING DETAIL</p> <p>Project Location:</p>	Scale	NO
		DFD Number	
Agency / Institution:	VENTED RIDGE DETAIL	Set Type	RD.
		Date Issued	
	Rev-10/01/2012	Sheet Number	A7.8

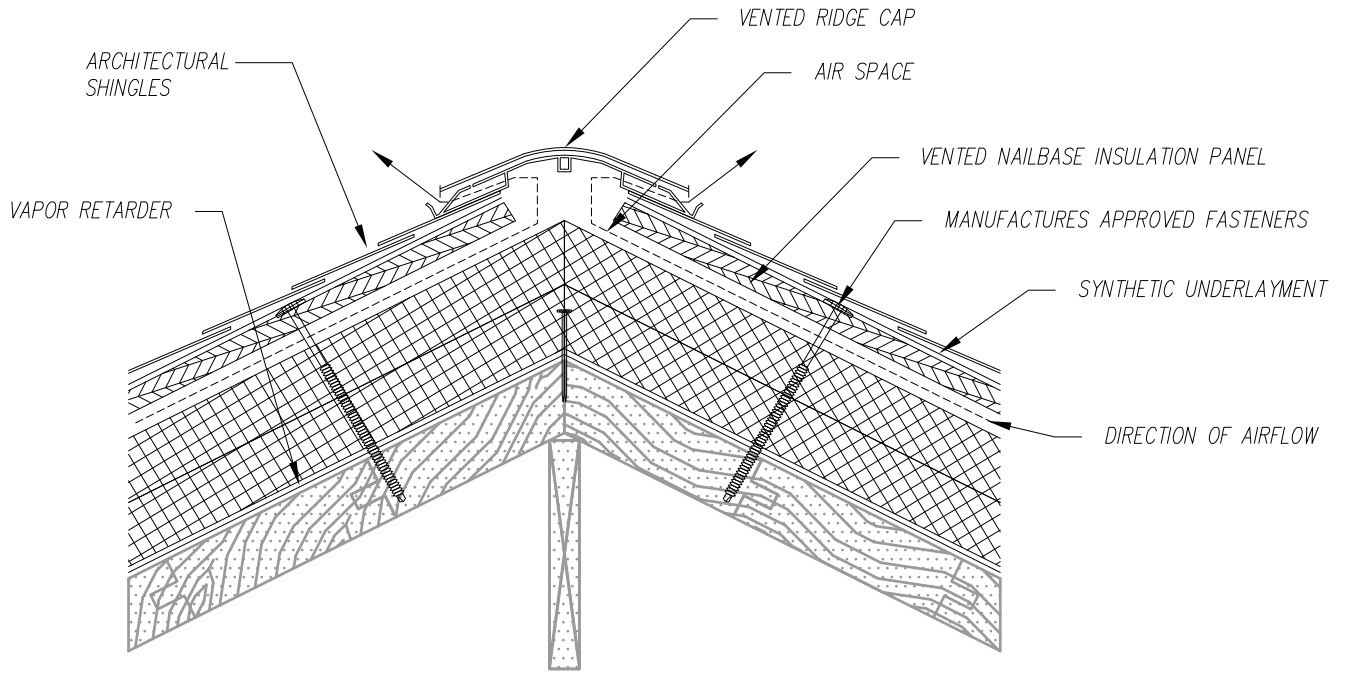
**NOTE:**  
 REFER TO DETAIL A7.11 FOR  
 EAVE EDGE DETAIL.



1  
 A7.9 VENTED TOP EDGE DETAIL  
 NO SCALE:

SEE SECTION 07 31 13  
 FOR INSTALLATION INSTRUCTIONS

 <p><b>State of Wisconsin</b>          Department of Administration          Division of Facilities Development</p>	<p><b>TYPICAL DFD STANDARD</b></p> <p><b>ASPHALT SHINGLE ROOFING DETAIL</b></p> <p>Project Location:</p>	Scale	NO
		DFD Number	
<p>Agency / Institution:</p>	<p>VENTED TOP EDGE DETAIL</p> <p>Rev-10/01/2012</p>	Set Type	RD.
		Date Issued	
		Sheet Number	<b>A7.9</b>

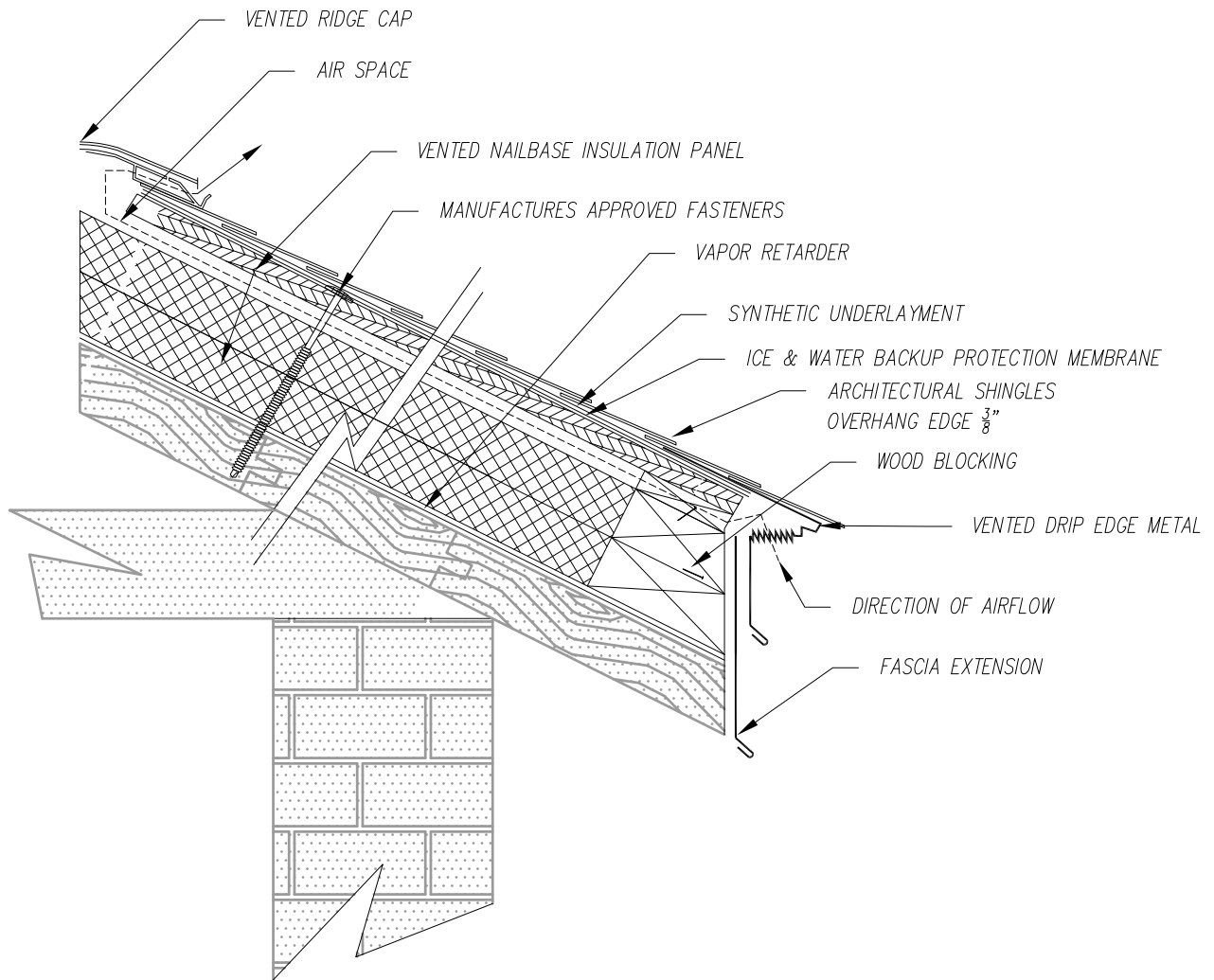


1  
A7.10

*VENTED RIDGE/NAILBASE DETAIL*  
NO SCALE:

**SEE SECTION 07 31 13  
FOR INSTALLATION INSTRUCTIONS**

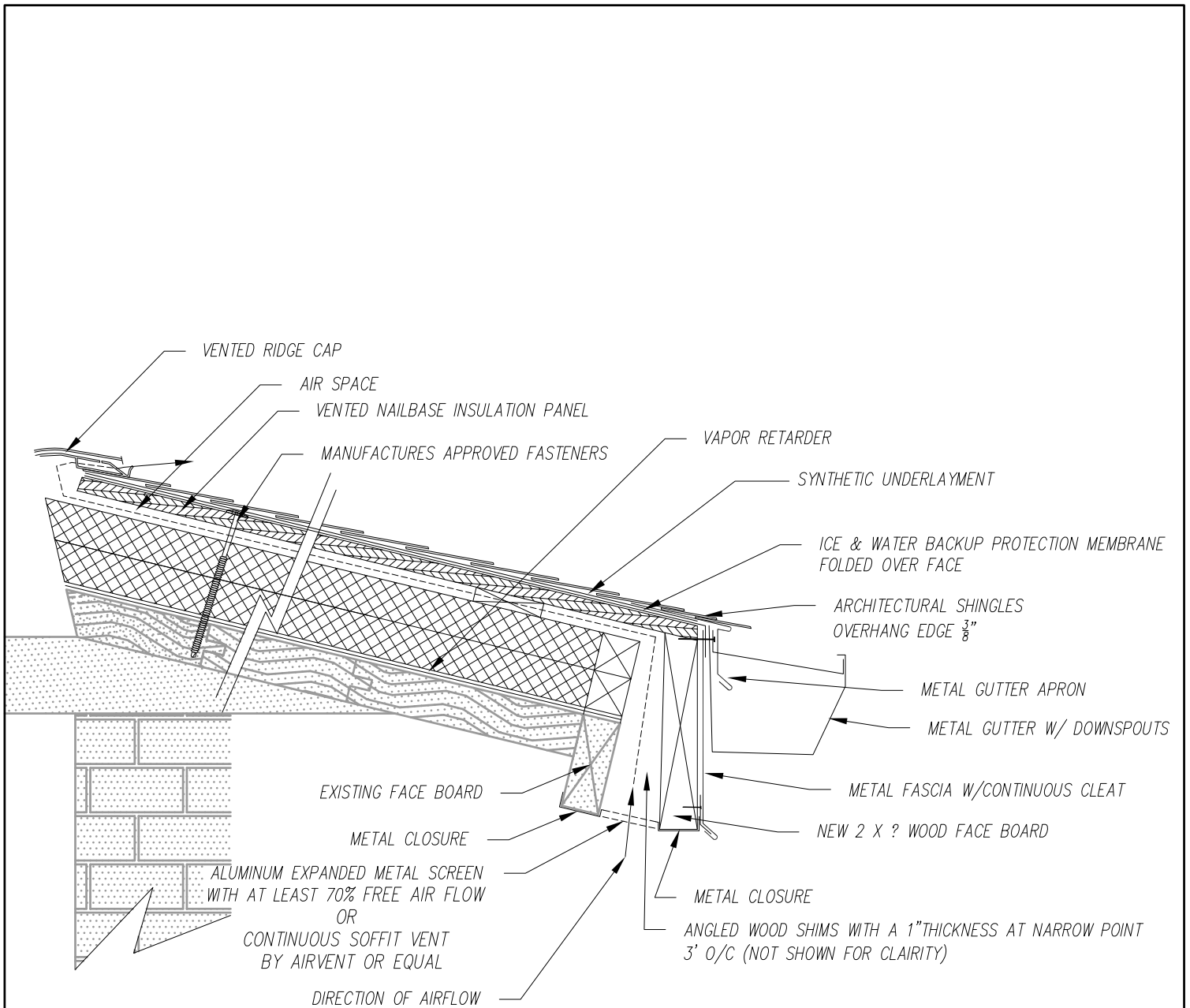
 <p><b>State of Wisconsin</b> Department of Administration Division of Facilities Development</p>	<p><b>TYPICAL DFD STANDARD</b></p> <p><b>ASPHALT SHINGLE ROOFING DETAIL</b></p> <p>Project Location:</p>	Scale	NO
		DFD Number	
		Set Type	RD.
		Date Issued	
Agency / Institution:	<p><i>VENTED RIDGE/NAILBASE DETAIL</i>      Rev-10/01/2012</p>	Sheet Number	<b>A7.10</b>



1 VENTED DRIP EDGE/NAILBASE DETAIL  
 A7.11 NO SCALE:

SEE SECTION 07 31 13  
 FOR INSTALLATION INSTRUCTIONS

 <p>State of Wisconsin          Department of Administration          Division of Facilities Development</p>	<p>TYPICAL DFD STANDARD</p> <p>ASPHALT SHINGLE ROOFING DETAIL</p> <p>Project Location:</p>	Scale	NO
		DFD Number	
		Set Type	RD.
		Date Issued	
Agency / Institution:	VENTED DRIP EDGE/NAILBASE DETAIL Rev-10/01/2012	Sheet Number	A7.11



1  
A7.12

VENTED GUTTER EDGE/NAILBASE DETAIL  
NO SCALE:

SEE SECTION 07 31 13  
FOR INSTALLATION INSTRUCTIONS

 <p><b>State of Wisconsin</b> Department of Administration Division of Facilities Development</p>	<p>TYPICAL DFD STANDARD</p> <p>ASPHALT SHINGLE ROOFING DETAIL</p> <p>Project Location:</p>	Scale	NO
		DFD Number	
Agency / Institution:	VENTED GUTTER EDGE/NAILBASE DETAIL Rev-10/01/2012	Set Type	RD.
		Date Issued	
		Sheet Number	<b>A7.12</b>